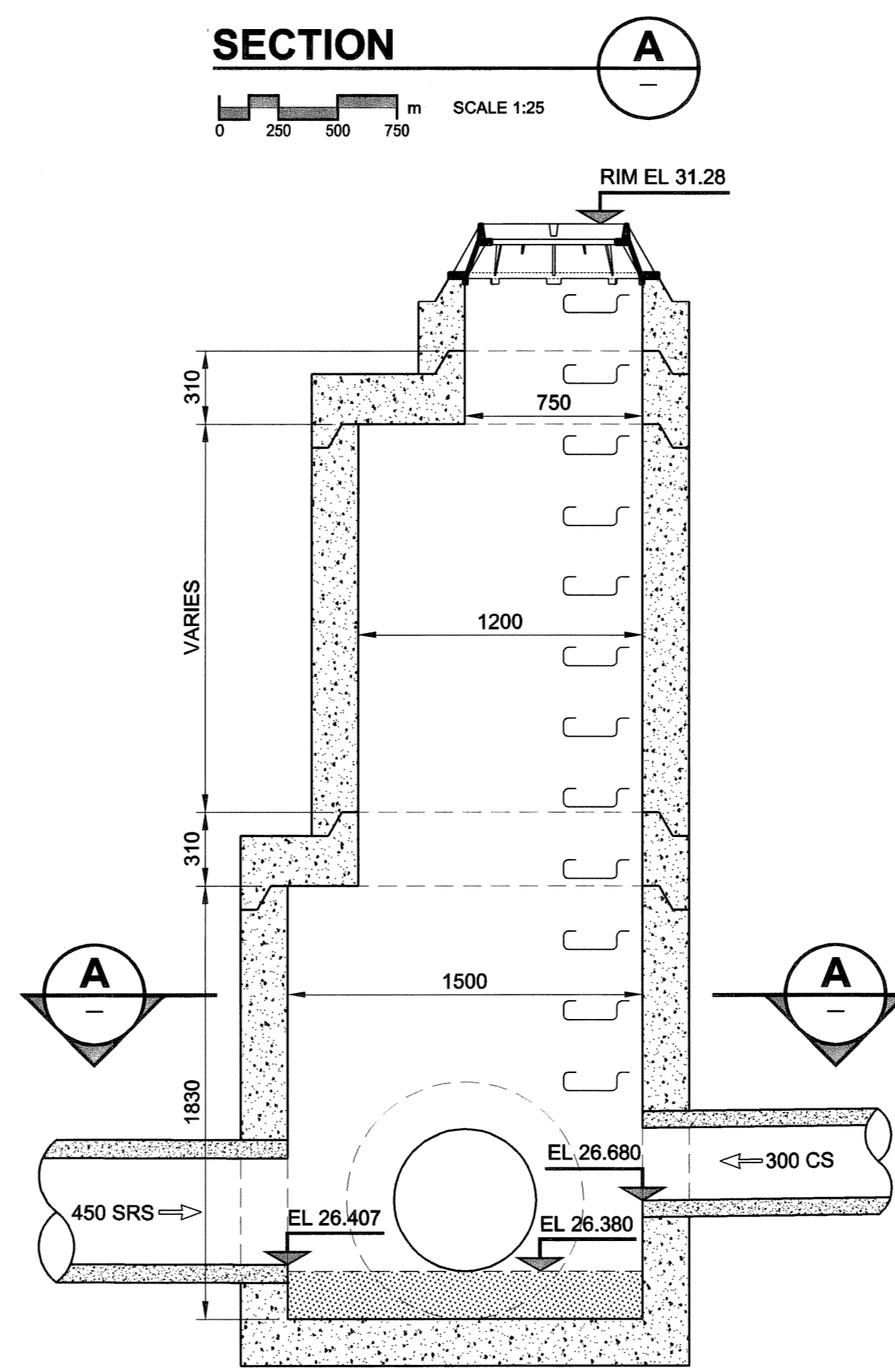
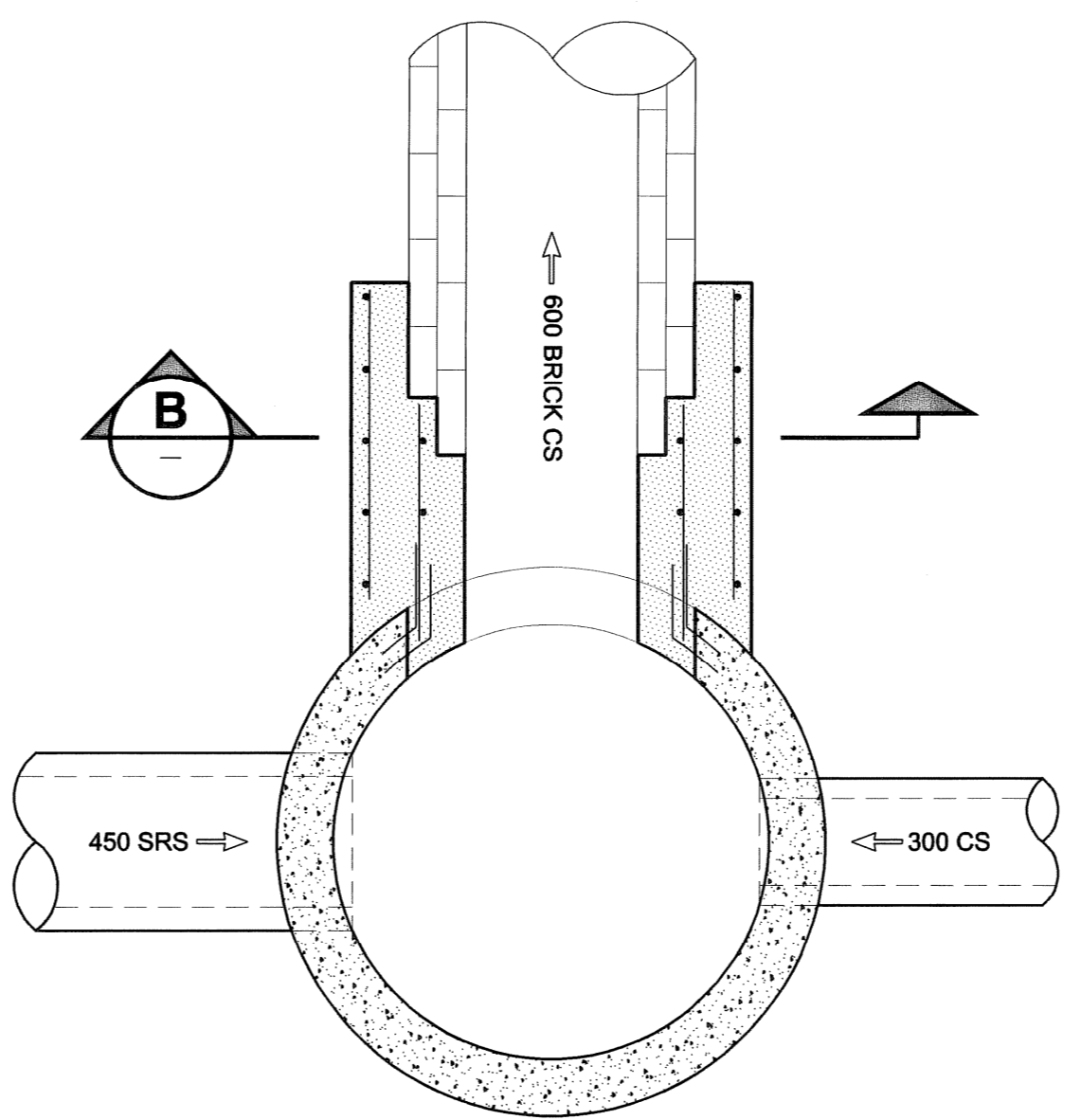
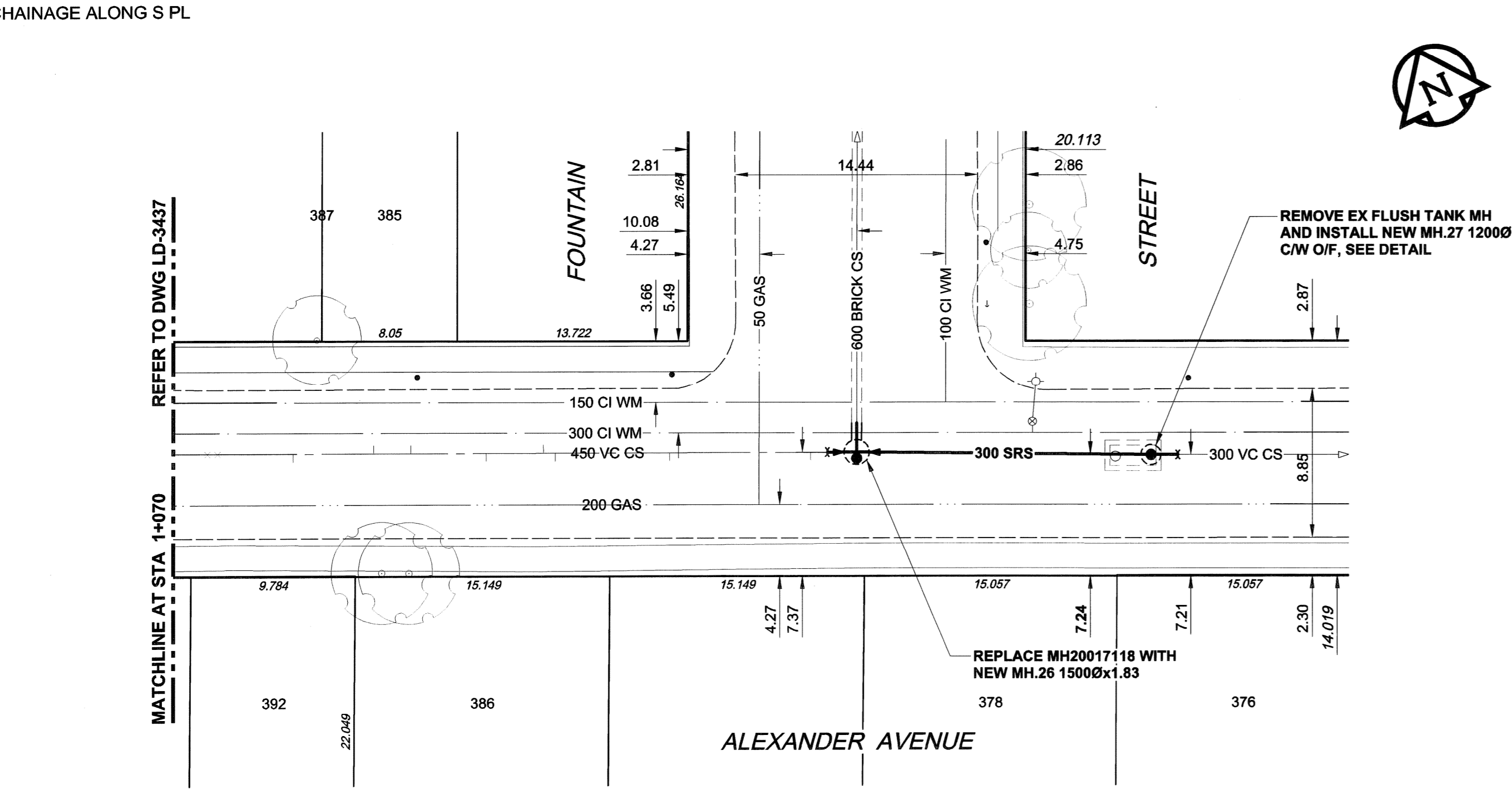
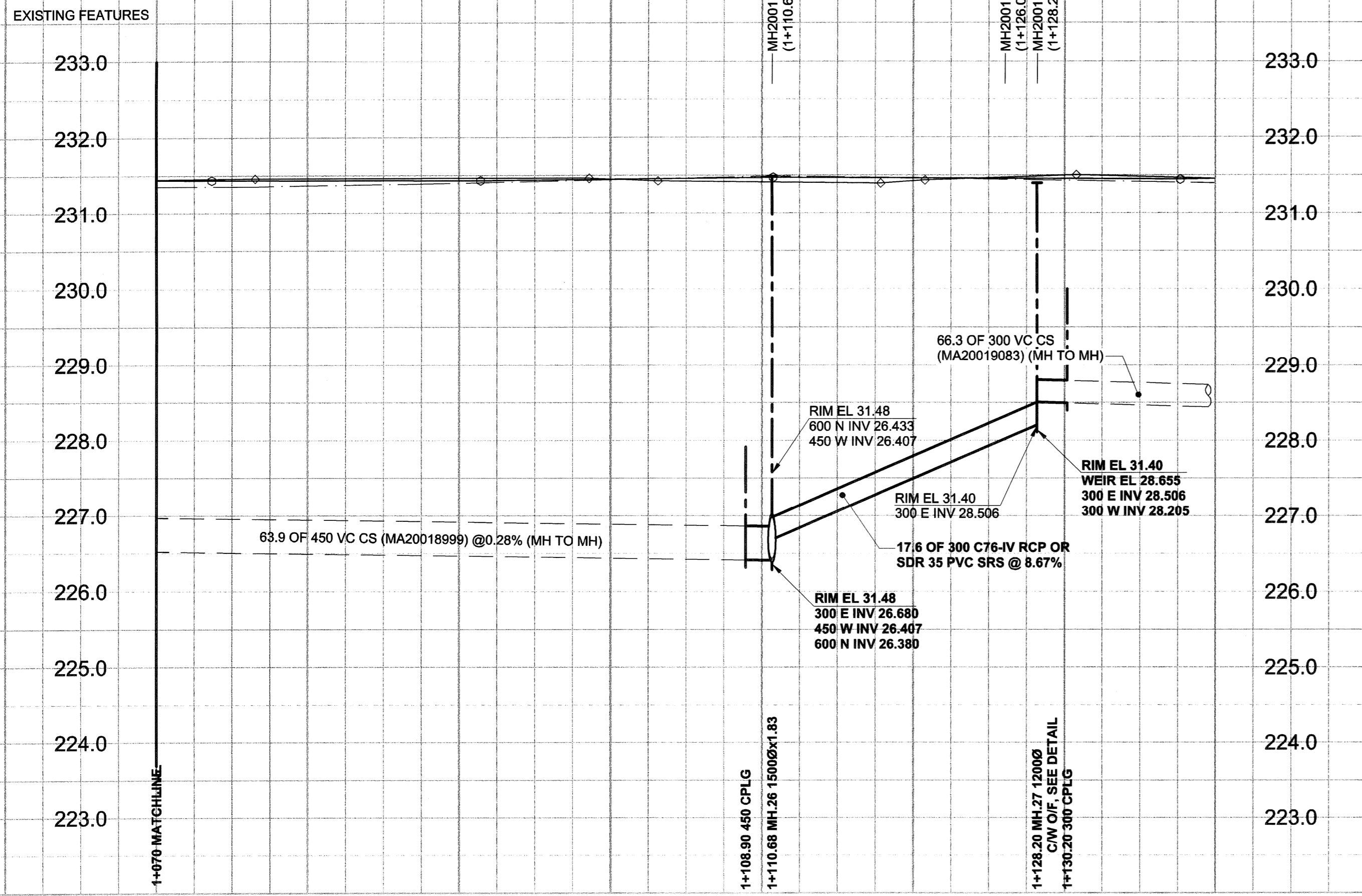


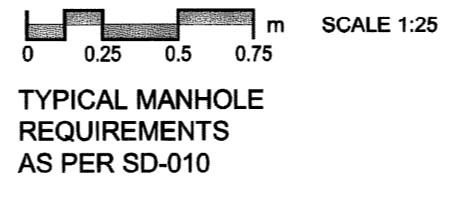
D SIZE 22" x 34" (565mm x 864mm)

PLOT: 06/11/29 3:57:07 PM

UMA FILE NAME: D265-177-04_01-C-014_RX.dwg Saved By: libbard



MANHOLE 26 OVERFLOW DETAIL

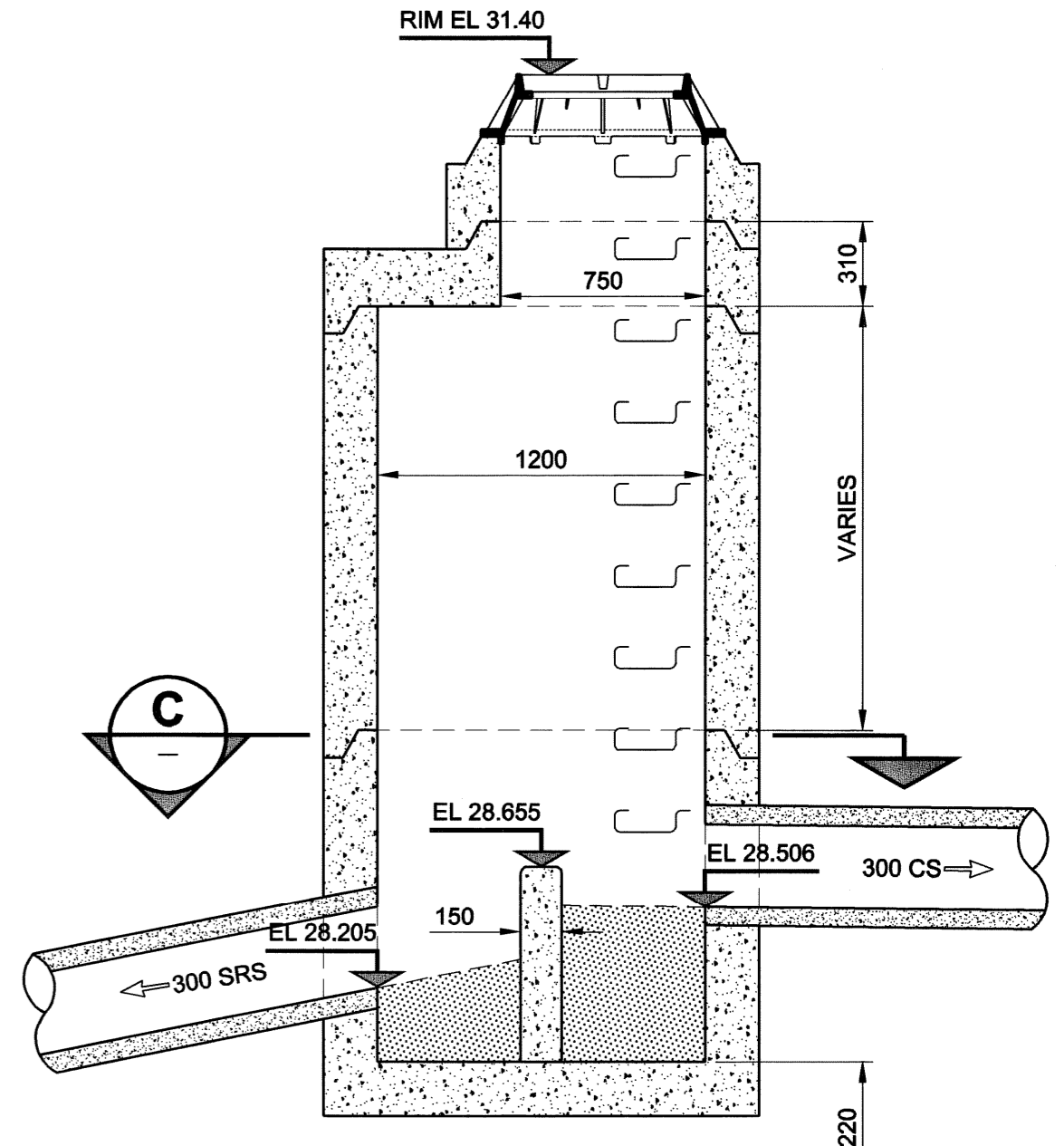
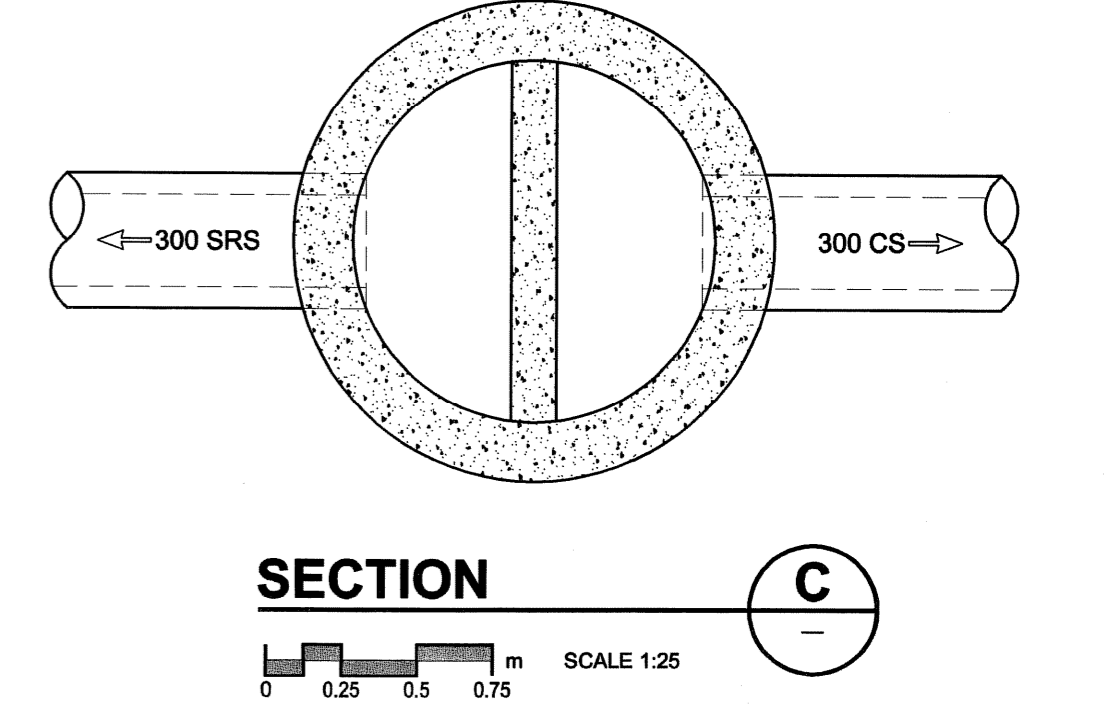


LAP TABLE

BAR	LAP
10M	500
15M	700
20M	870

HYDRAULIC CEMENT GROUT	EPOXY GROUT
d = BAR DIA. +20mm	d AND L _e IN ACCORDANCE WITH MANUFACTURER'S PRINTED SPECIFICATIONS
L _e : 10M - 150mm	
15M - 200mm	
20M - 250mm	
25M - 300mm	

- NOTES:**
1. DRILL HOLE OF DIAMETER AND DEPTH AS REQUIRED.
 2. CLEAN HOLE OF DUST & DEBRIS.
 3. FILL HOLE WITH DOWELLING GROUT.
 4. INSTALL REINFORCING BAR & WIPE AWAY GROUT.
 5. SECURE DOWEL BAR FIRMLY IN POSITION & DO NOT DISTURB BAR FOR 3 HOURS AFTER INSTALLATION.



WARNING

IF POWER EQUIPMENT OR EXPLOSIVES ARE TO BE USED FOR EXCAVATION ON THIS PROJECT, THE CONTRACTOR MUST:

- 1) NOTIFY THE GAS COMPANY OF THE PROPOSED LOCATION OF EXCAVATION.
- 2) TAKE PRECAUTION TO AVOID DAMAGE TO GAS COMPANY INSTALLATIONS.

SEE PROVINCIAL REGULATION 140/92 FOR DETAILS

150 mm WM	WATERMAIN	150 mm WM	CURB STOP	150 mm WM	WATERMAIN	150 mm WM	LOCATION APPROVED UNDERGROUND STRUCTURES
+	HYDRANT	+	REDUCER	+	HYDRANT	+	DATE COMMITTEE
+	VALVE	+	COUPLING	+	VALVE	+	DATE COMMITTEE
+	LAND DRAINAGE SEWER	+	ANODE	+	LAND DRAINAGE SEWER	+	DATE COMMITTEE
+	WASTE WATER SEWER	+	HYDRO	+	WASTE WATER SEWER	+	DATE COMMITTEE
+	MANHOLE	+	MTS	+	PAVEMENT CROWN	+	DATE COMMITTEE
+	CATCH BASIN	+	GAS	+	N/W PROPERTY LINE	+	DATE COMMITTEE
+	CURB INLET	+	TESTHOLE	+	S/E PROPERTY LINE	+	DATE COMMITTEE
+	CULVERT	+	LAMP STANDARD	+	N/W GUTTER	+	DATE COMMITTEE
+	PIPE ABANDONMENTS	+	TREE	+	S/E GUTTER	+	DATE COMMITTEE
+	SURVEY BAR	+		+		+	DATE COMMITTEE
+	EXISTING	+	LEGEND - PLAN	+	LEGEND - PROFILE	+	DATE COMMITTEE
+	NEW	+	LEGEND - PLAN	+	LEGEND - PROFILE	+	DATE COMMITTEE

LOCATION APPROVED UNDERGROUND STRUCTURES

DATE COMMITTEE

NOTE: LOCATION OF UNDERGROUND STRUCTURES AS SHOWN ARE BASED ON THE BEST INFORMATION AVAILABLE. BUT NO GUARANTEE IS GIVEN THAT ALL EXISTING UTILITIES ARE SHOWN OR THAT THE GIVEN LOCATIONS ARE EXACT. CONFIRMATION OF EXISTENCE AND EXACT LOCATION OF ALL SERVICES MUST BE OBTAINED FROM THE INDIVIDUAL UTILITIES BEFORE PROCEEDING WITH CONSTRUCTION.

METRIC

WHOLE NUMBERS INDICATE MILLIMETRES
DECIMALIZED NUMBERS INDICATE METRES

UMA | AECOM

© 2005 UMA ENGINEERING LTD. ALL RIGHTS RESERVED.

DESIGNED BY	GEB / DME	CHECKED BY	[Signature]
DRAWN BY	KMB	APPROVED BY	[Signature]
HOR. SCALE	1:250	RELEASED FOR CONSTRUCTION	[Signature]
VERT. SCALE	1:50	DATE	06/11/29

APEGM

Certificate of Authorization
UMA Engineering Ltd.
No. 256 Expiry: April 30, 2007

PROFESSIONAL'S SEAL

PROVINCE OF MANITOBA

A NAGY

REG. NO. 29,200

REGISTERED PROFESSIONAL ENGINEER

CONSULTANT DRAWING NO. 14
D265-177-04

THE CITY OF WINNIPEG

Winnipeg

WATER AND WASTE DEPARTMENT

ALEXANDER/BANNATYNE COMBINED SEWER RELIEF CONTRACT 4

ALEXANDER AVENUE
13m EAST OF ELLEN STREET
TO 60m WEST OF LIZZIE STREET

SHEET 14 OF 15

CITY DRAWING NUMBER

LD-3446

REV 0

BID OPPORTUNITY NO. 690-2006