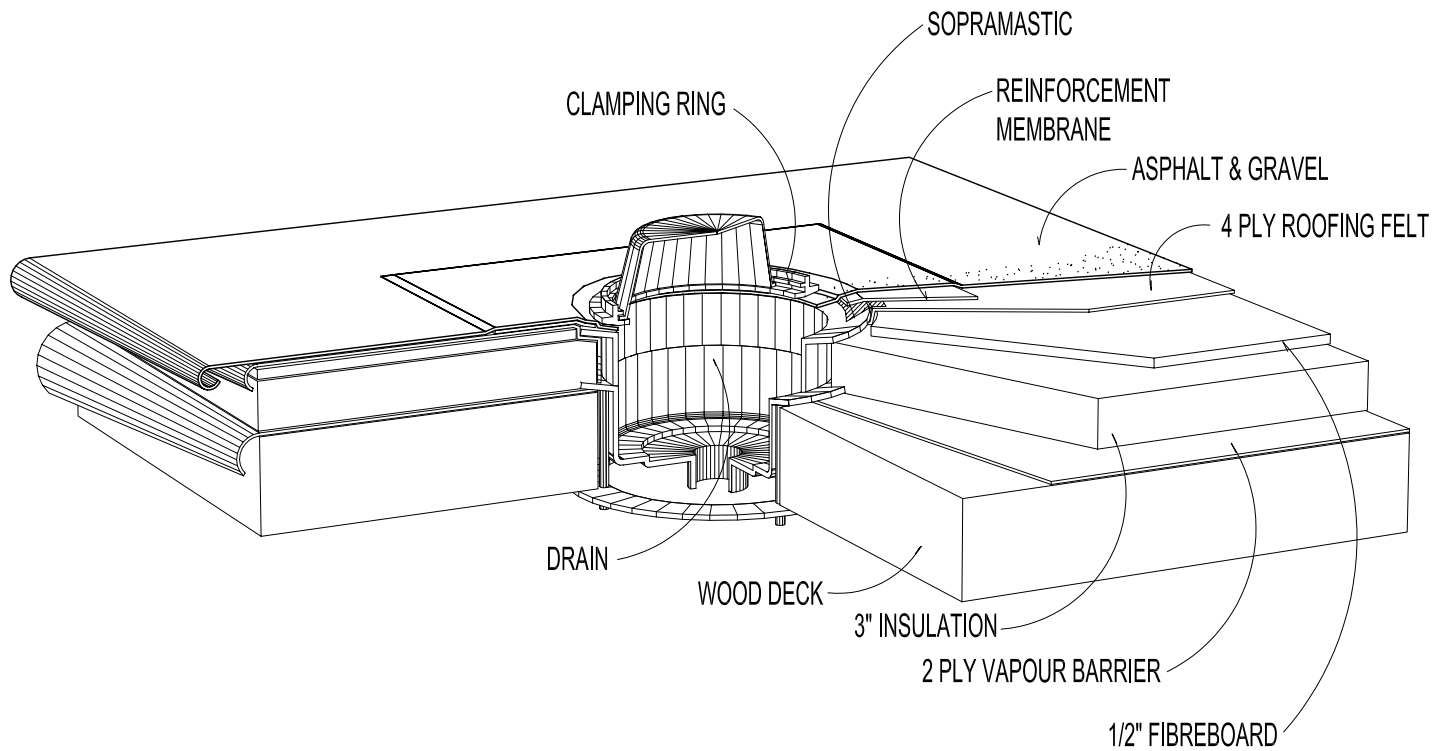



### ROOF DRAIN TERMINATION

SCALE : N.T.S.



### ROOF DRAIN TERMINATION - ISOMETRIC VIEW

SCALE : N.T.S.

 CITY OF WINNIPEG PLANNING, PROPERTY & DEVELOPMENT DEPARTMENT CIVIC ACCOMMODATIONS DIVISION 300-65 GARRY STREET R3C 4K4		PROJECT CITY OWNED PROPERTY ROOF REPLACEMENT 1400 HENDERSON HWY.		SHEET TITLE DETAILS ROOF DRAIN	
DRAWN BY RCP	CHECKED BY	APPROVED BY	DATE 2006.10.05 eFILE 2006077V0.DWG	SCALE N.T.S. PROJECT NO. 2006-077	SHEET NO. <b>A2</b>