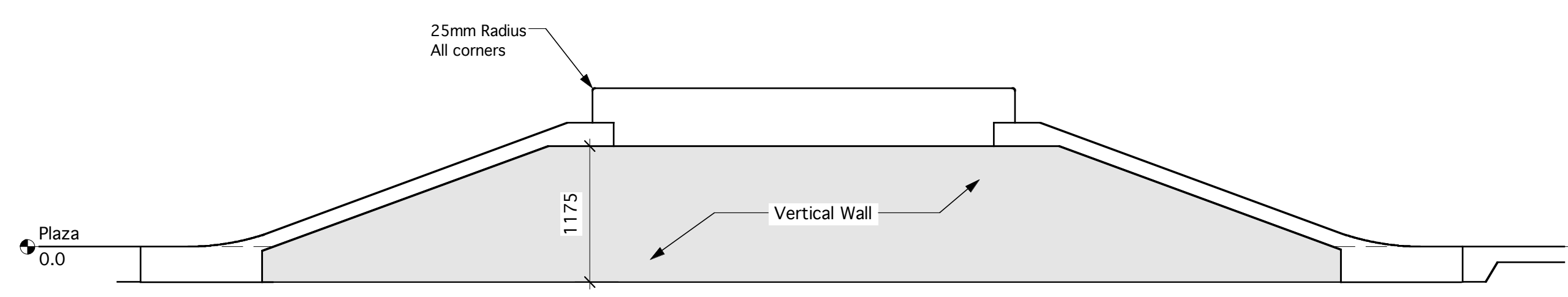
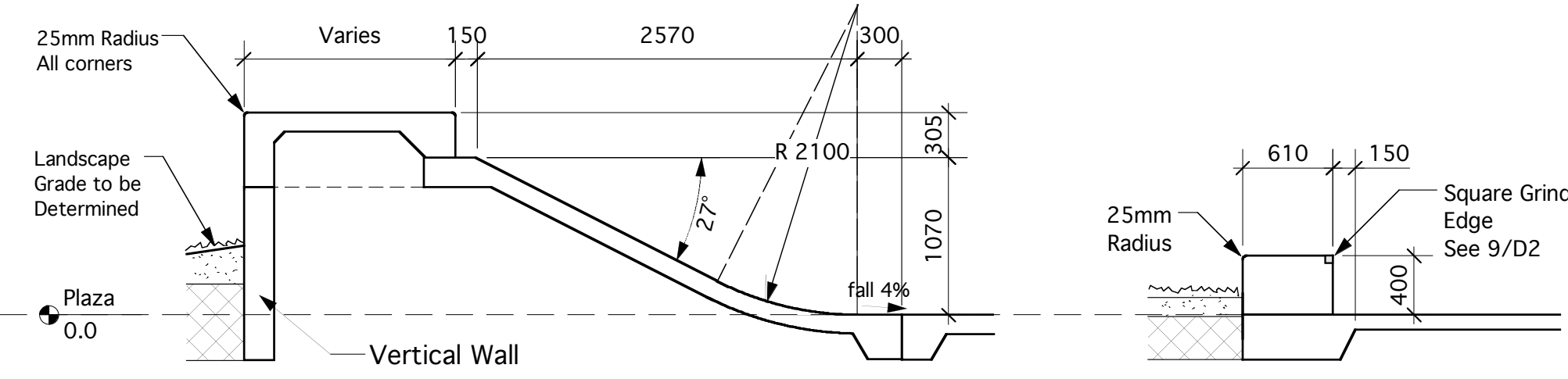


2 SCULPTURAL PYRAMID  
 D1 Scale: 1:40

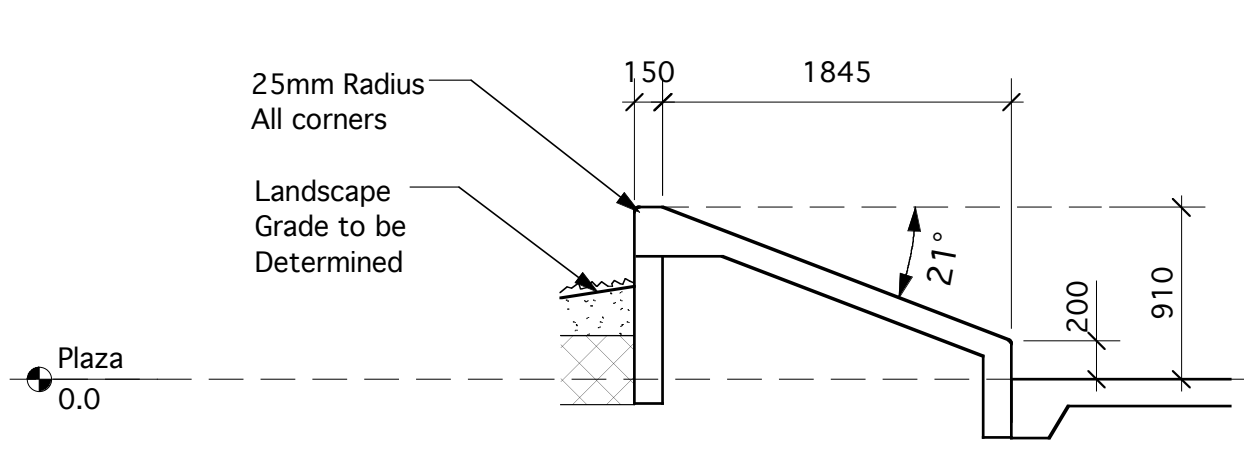


3 WEDGE PLATFORM - REAR ELEVATION  
 D1 Scale: 1:40

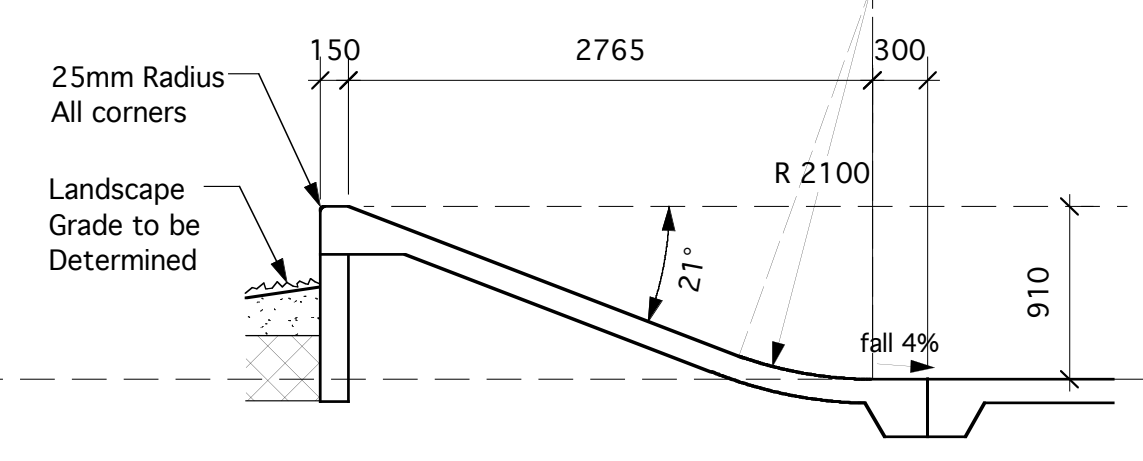


4 WEDGE PLATFORM  
 D1 Scale: 1:40

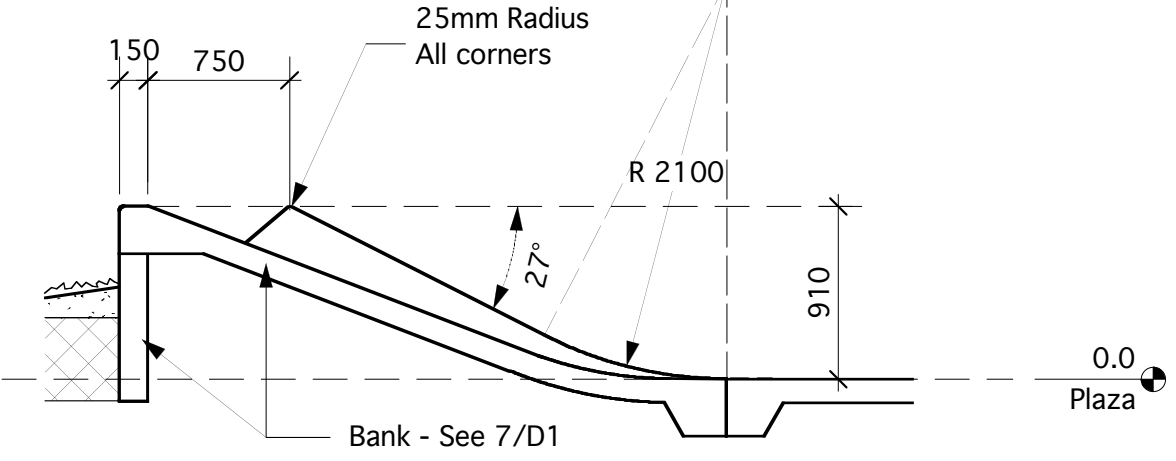
5 LEDGE1  
 D1 Scale: 1:40



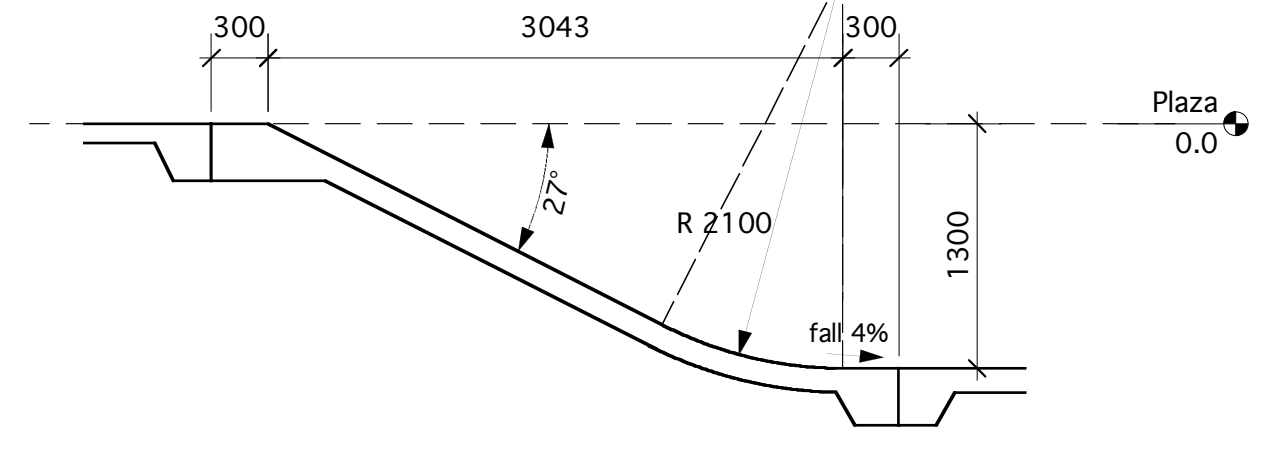
6 SETBACK BANK  
 D1 Scale: 1:40



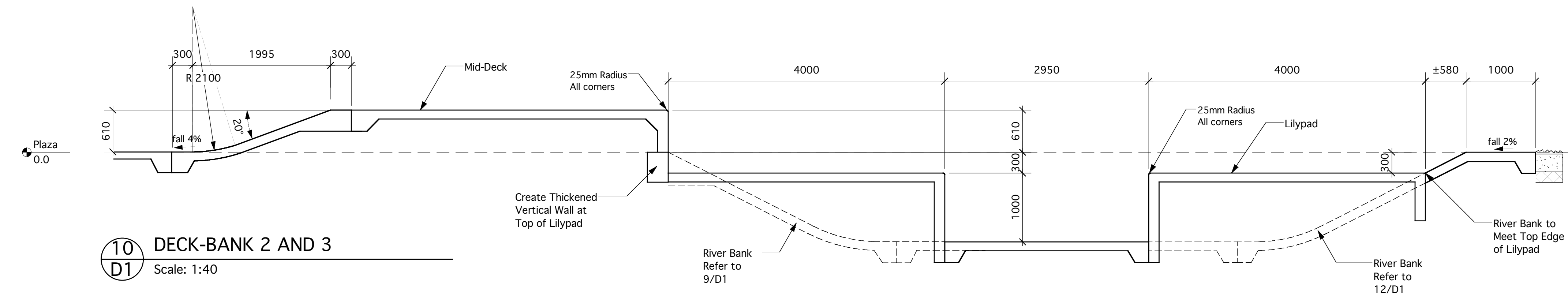
7 BANK  
 D1 Scale: 1:40



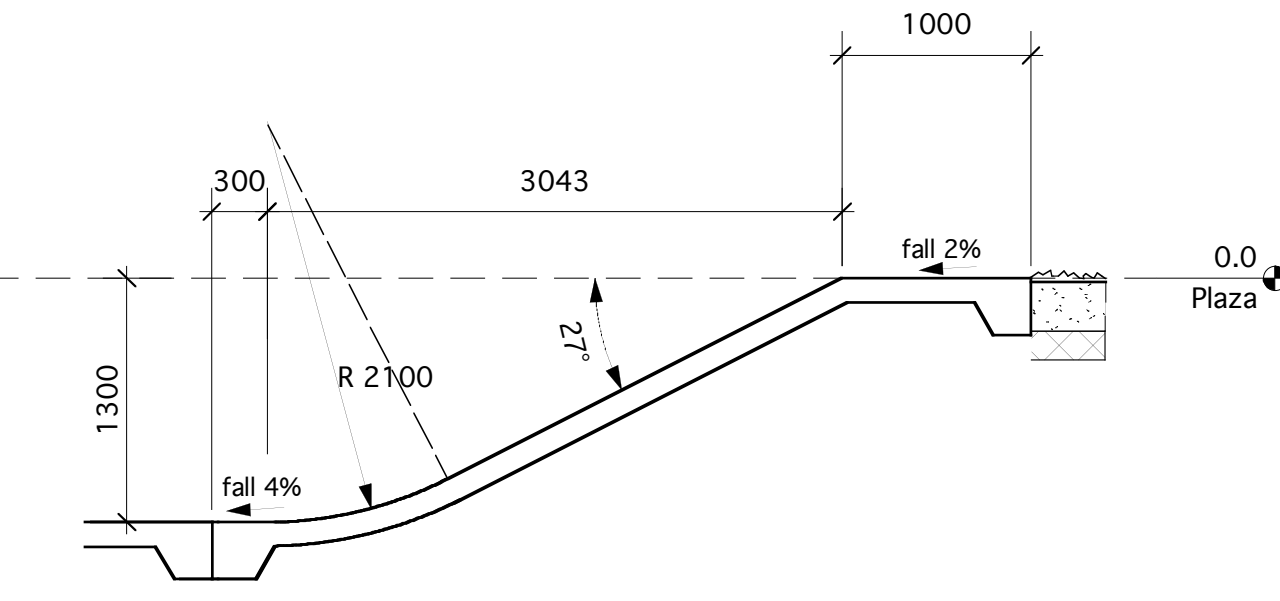
8 INSET BANK  
 D1 Scale: 1:40



9 RIVER BANK - PLAZA EDGE  
 D1 Scale: 1:40

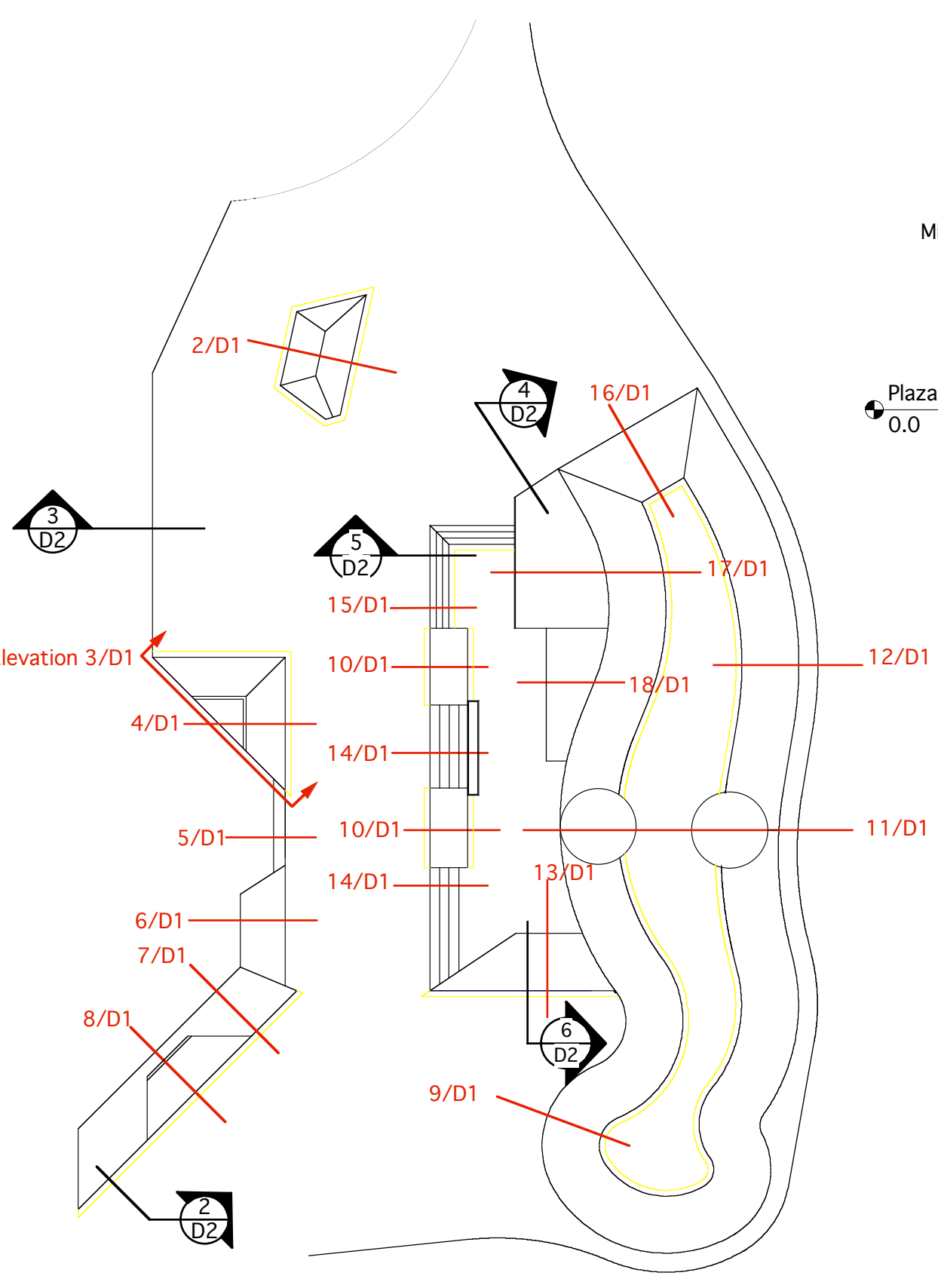


10 DECK-BANK 2 AND 3  
 D1 Scale: 1:40

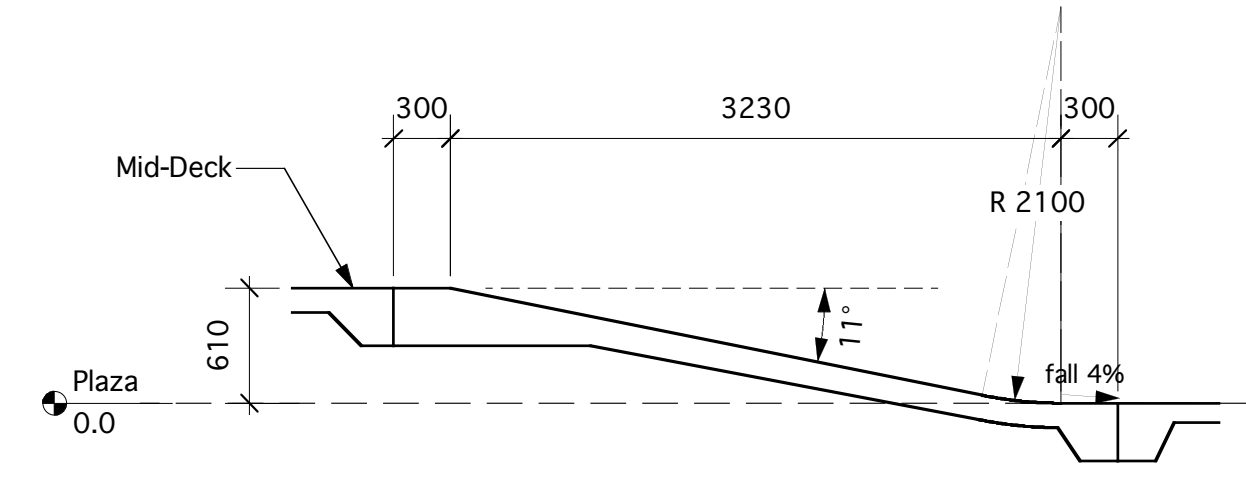


11 LILYPAD / RIVER SECTION  
 D1 Scale: 1:40

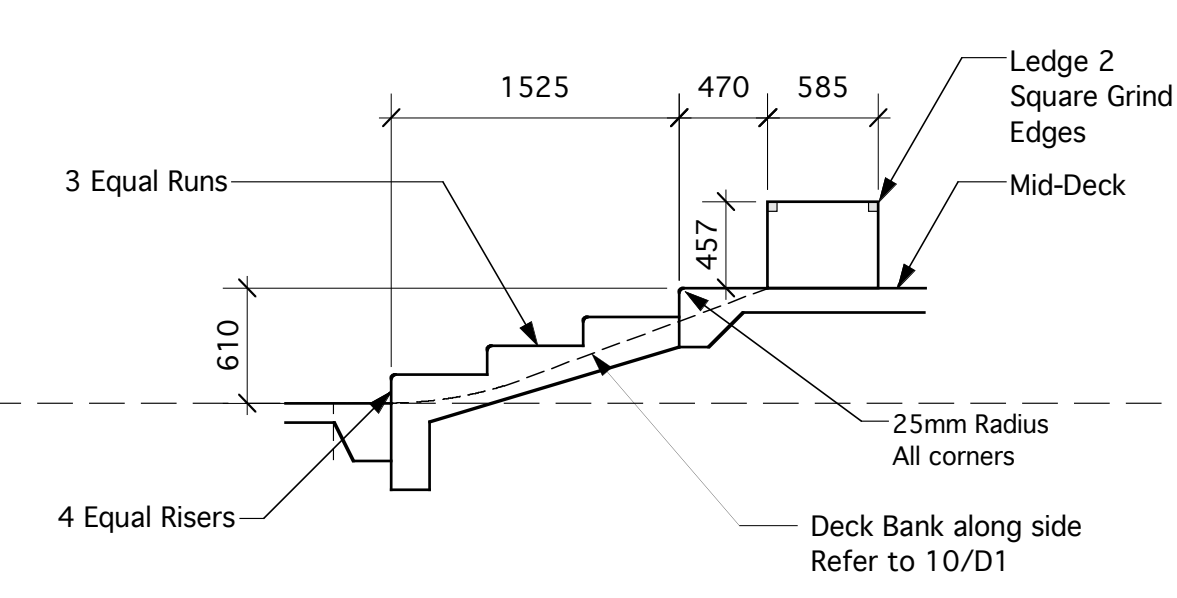
12 RIVER BANK - OUTSIDE EDGE  
 D1 Scale: 1:40



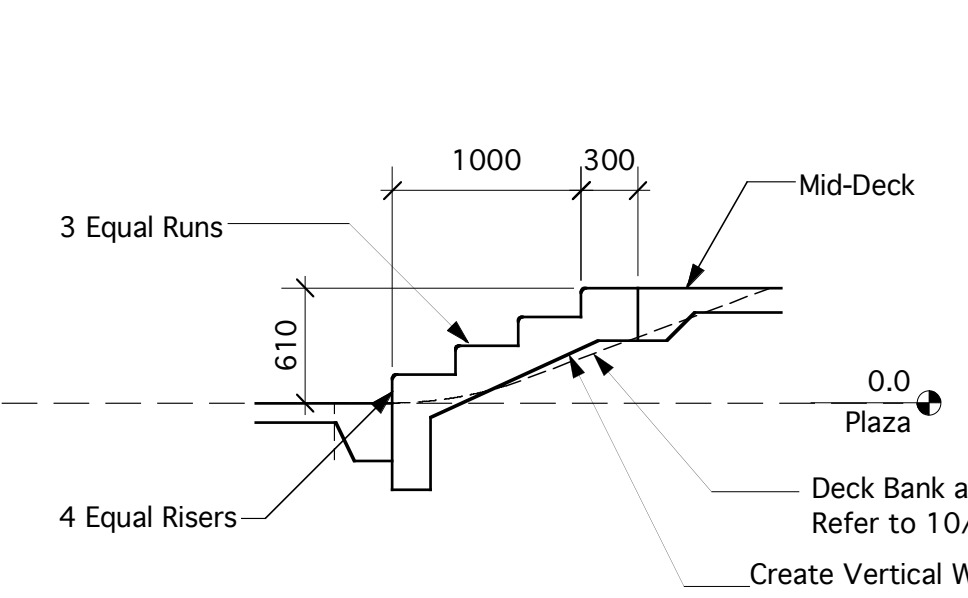
1 KEY PLAN  
 D1



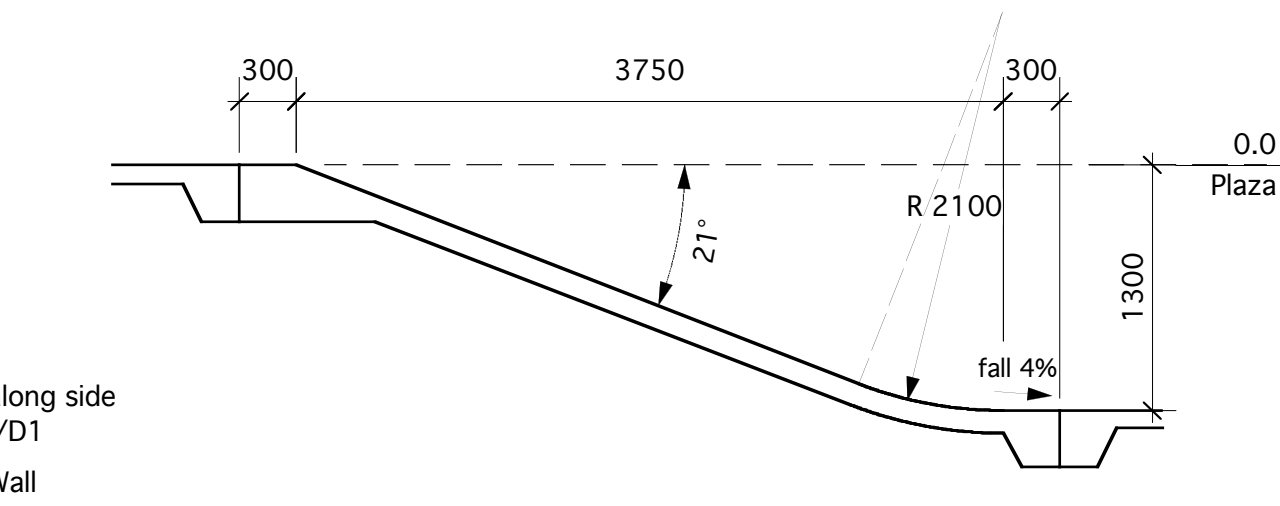
13 DECK-BANK 1  
 D1 Scale: 1:40



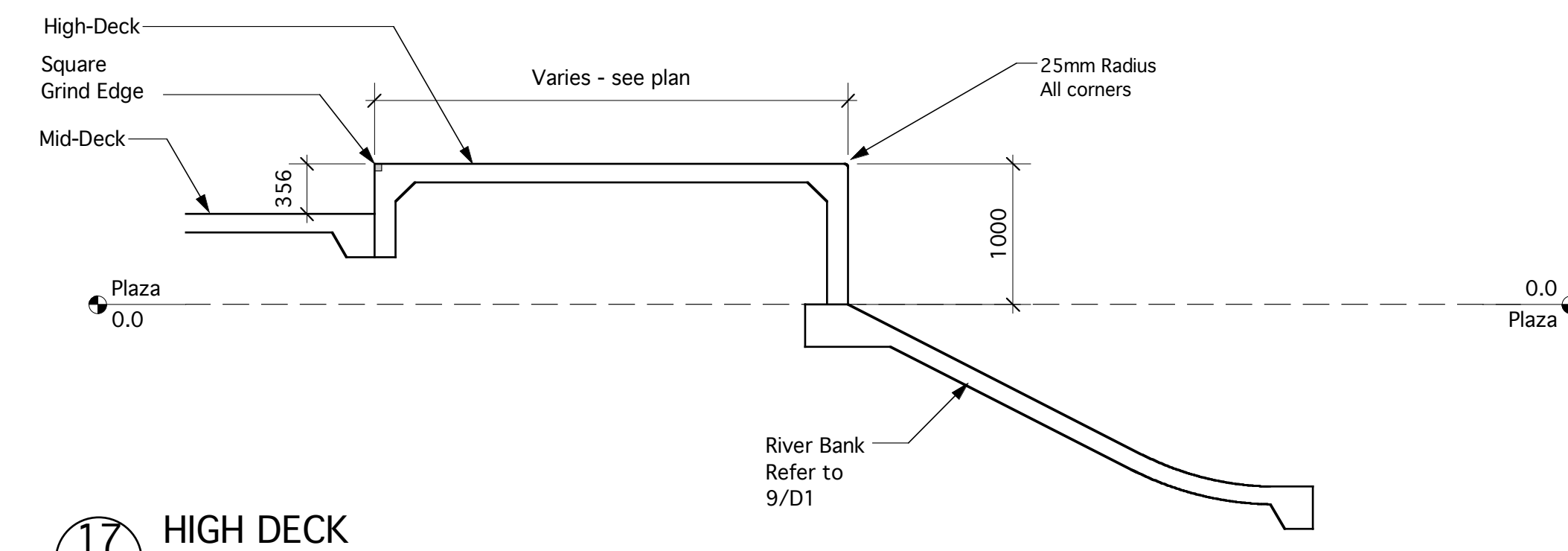
14 STEP 1 AND 2 / LEDGE 2  
 D1 Scale: 1:40



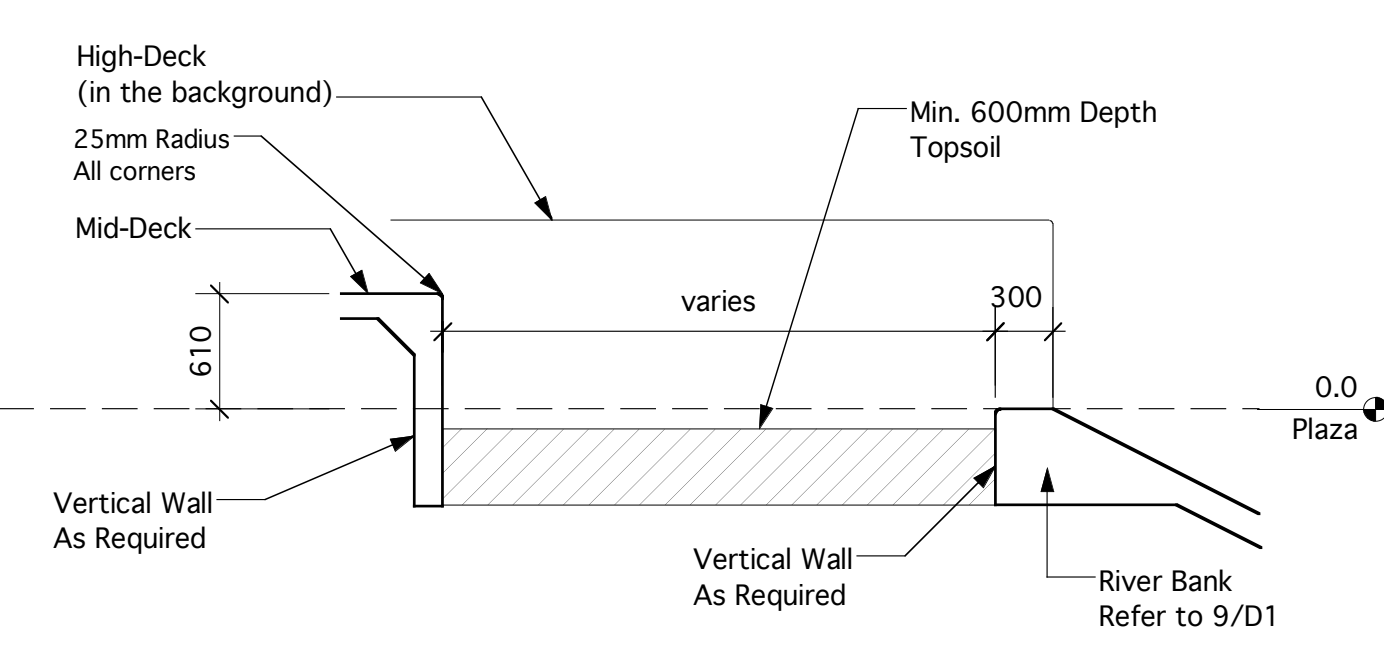
15 STEP 3  
 D1 Scale: 1:40



16 RIVER BANK - NORTH END  
 D1 Scale: 1:40



17 HIGH DECK  
 D1 Scale: 1:40



18 PLANTER / VOID  
 D1 Scale: 1:40

DO NOT SCALE DRAWINGS

revision	description	date
5		
4	Released for Tender	15-09-06
3	99% Review	6-09-06
2	90% Review	24-08-06
1	80% Review	31-07-06
0	70% Review	27-07-06

SARGENT PARK SKATEPARK  
 WINNIPEG, MANITOBA

approved by	
designed by	
drawn by	LLW/MM
date	25 August 2006



DETAIL SECTIONS

project no.	sheet	revision no.
0517	D1	0