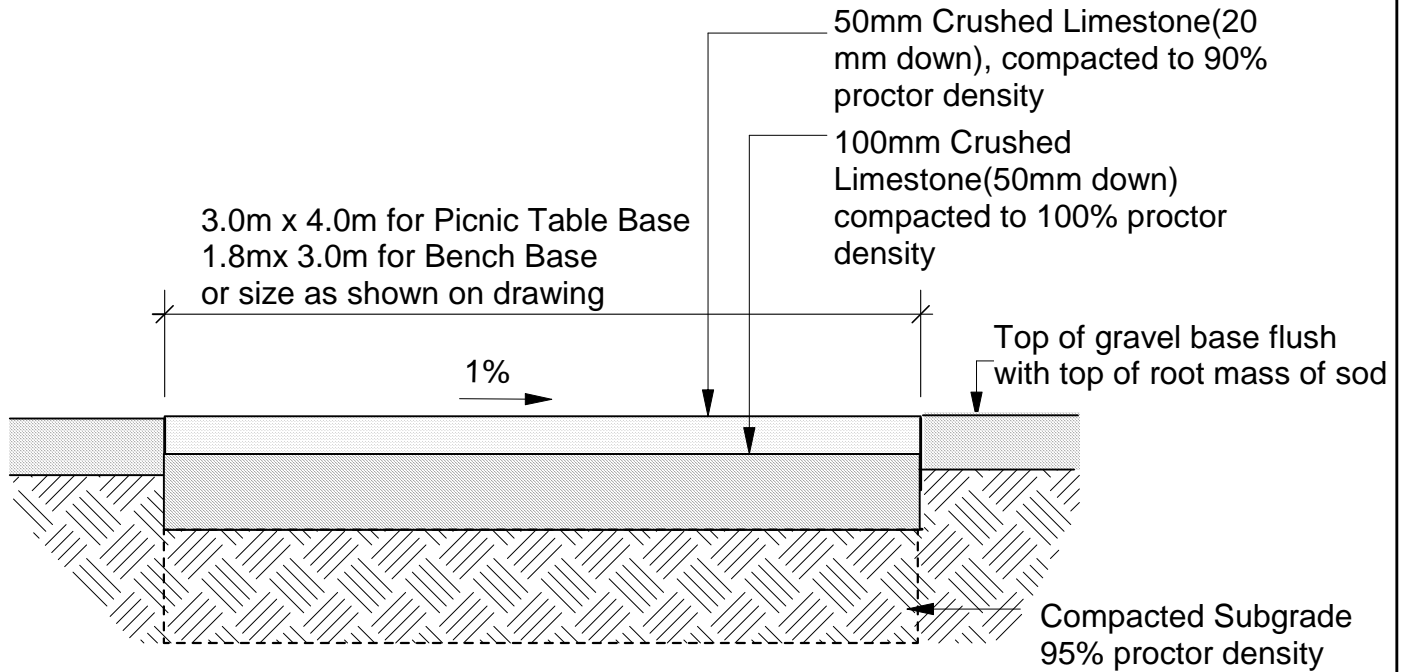


TITLE

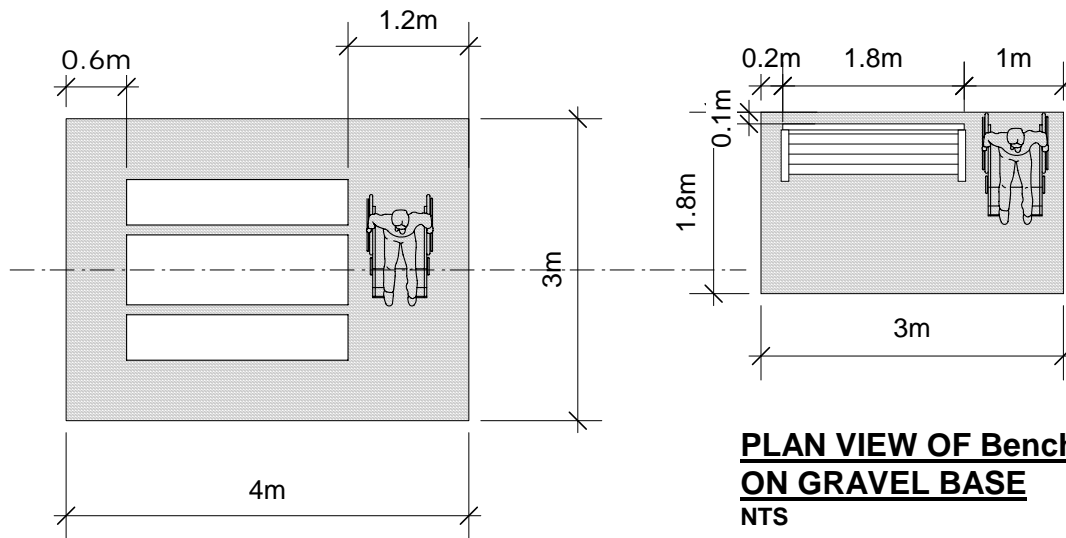
# GRAVEL BASE FOR PICNIC TABLE AND BENCH

SCD-644



## SECTION THROUGH GRAVEL BASE

NTS



## PLAN VIEW OF PICNIC TABLE (Accessible) ON GRAVEL BASE

NTS

NOT TO SCALE  
DATE : SEP, 2006  
DRAWN BY : CH

THE CITY OF WINNIPEG  
Planning, Property and Development Department  
Planning and Land Use Division  
Unit 15 - 10 Fort Street, Winnipeg, MB, R3C 4X5

