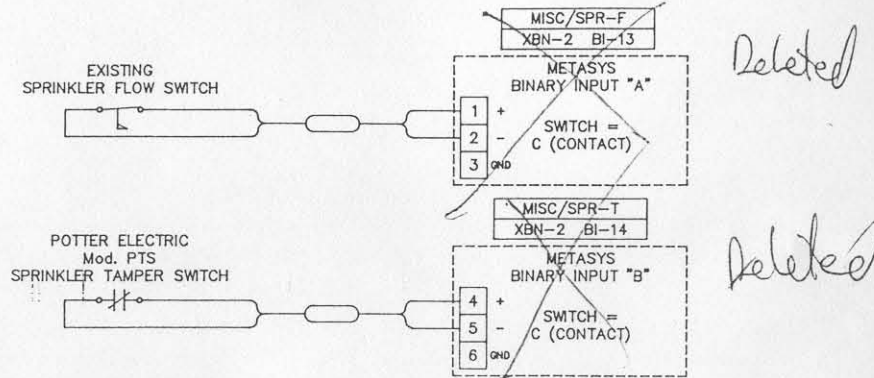
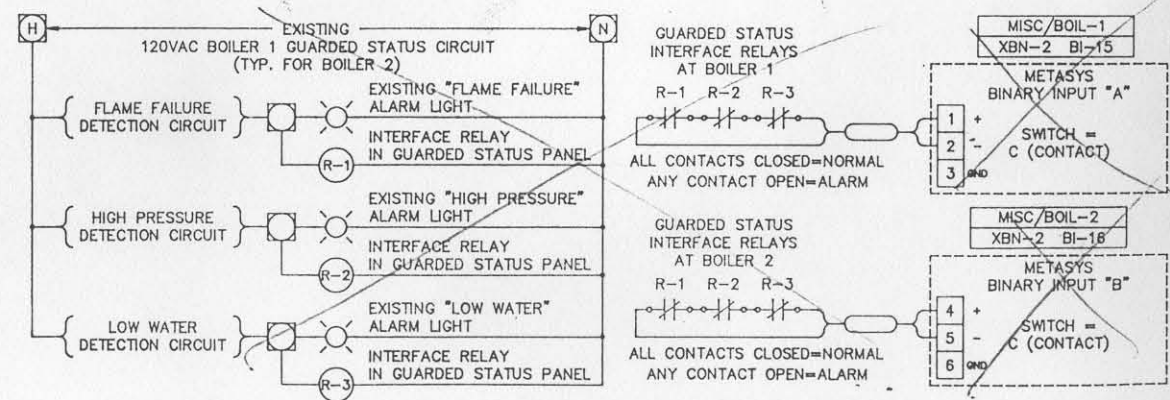


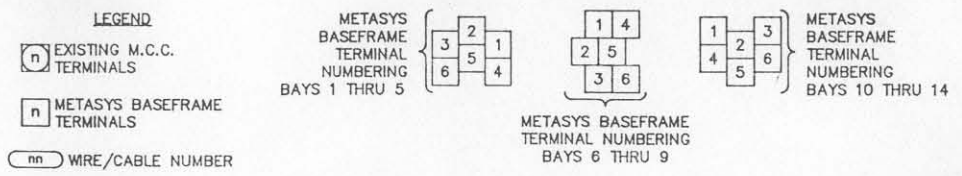
**TEMPERATURE MONITORING**  
(TYPICAL OF 7 - REFER Dwg. 1501-25C)



**FIRE SPRINKLER FLOW & TAMPER MONITORING**



**BOILER GUARDED STATUS MONITORING**



DRAWING TITLE ST. JAMES BUS GARAGE METASYS FIELD EQUIPMENT WIRING DETAILS		1 AS BUILT		DATE	BY
REFERENCE DRAWING	NO.	REVISION	LOCATION	EGN	DATE
SALES ENGINEER	PROJECT MANAGER	APPROVED			
BH	DW	JHF	PT 68	DATE	06/25/90
PROJECT WINNEPEG TRANSIT METASYS FACILITY MANAGEMENT SYSTEM			<b>JOHNSON CONTROLS</b> Systems & Services Division		CONTRACT NUMBER 90098-0310 DRAWING NUMBER 1501-30