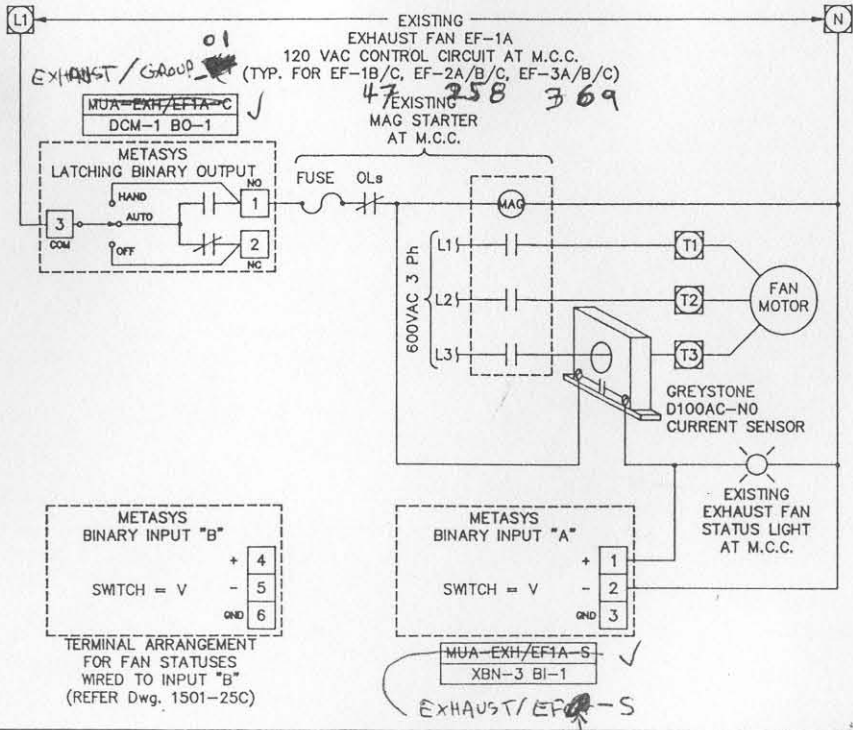
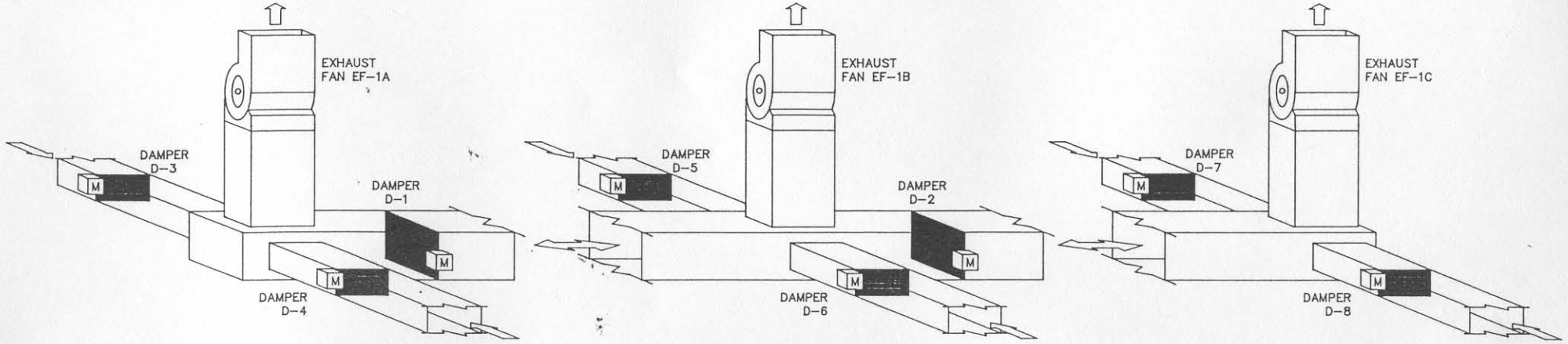
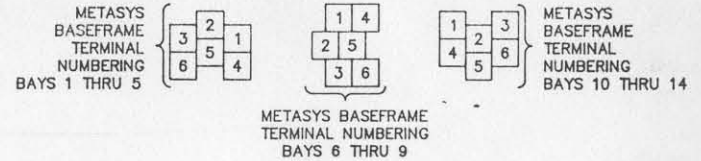


THIS DETAIL SHOWS A TYPICAL EXHAUST DAMPER ARRANGEMENT; REFER TO Dwg. 1501-24 FOR EXHAUST FAN/DAMPER GROUPINGS.



LEGEND

- (n) EXISTING M.C.C. TERMINALS
- (n) METASYS BASEFRAME TERMINALS



DRAWING TITLE ST. JAMES BUS GARAGE EXHAUST FAN CONTROL WIRING		1 AS BUILT		05/27/91	
REFERENCE DRAWING NO.	REVISION-LOCATION	ECN	DATE	BY	
SALES ENGINEER	DESIGNER	DRAWN	APPROVED	DATE	
BH	DM	JHF	WCR	05/24/90	BY
PROJECT MINNEAPOLIS TRANSIT METASYS FACILITY MANAGEMENT SYSTEM		JOHNSON CONTROLS Systems & Services Division		CONTRACT NUMBER 90098-0310 DRAWING NUMBER 1501-26A	