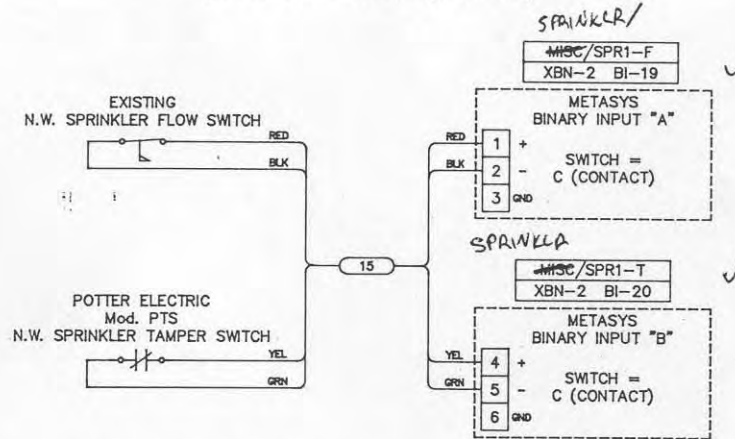


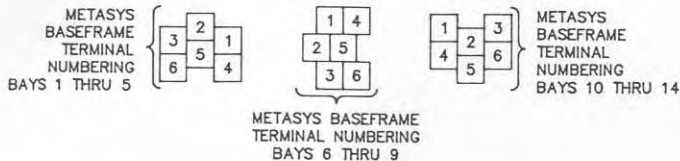
TEMPERATURE MONITORING
(TYPICAL OF 7 - REFER Dwg. 1501-16C)



FIRE SPRINKLER FLOW & TAMPER MONITORING
(TYPICAL OF 4 - REFER Dwg. 1501-16C)

LEGEND

- n EXISTING M.C.C. TERMINALS
- n METASYS BASEFRAME TERMINALS
- nn WIRE/CABLE NUMBER



DRAWING TITLE NORTH BUS GARAGE METASYS FIELD EQUIPMENT WIRING DETAILS		FILE: N-CO2	
PROJECT WINNEPEG TRANSIT METASYS FACILITY MANAGEMENT SYSTEM		CONTRACT NUMBER 90098-0310 DRAWING NUMBER 1501-22	
REFERENCE DRAWING NO. 1 AS BUILT		DATE BY	
SALES ENGR. PROJECT MGR. APPL. ENGR. DRAWN		APPROVED	
BH DM JHF WY CR DATE 05/25/90 BY DATE		DATE	
JOHNSON CONTROLS Systems & Services Division			