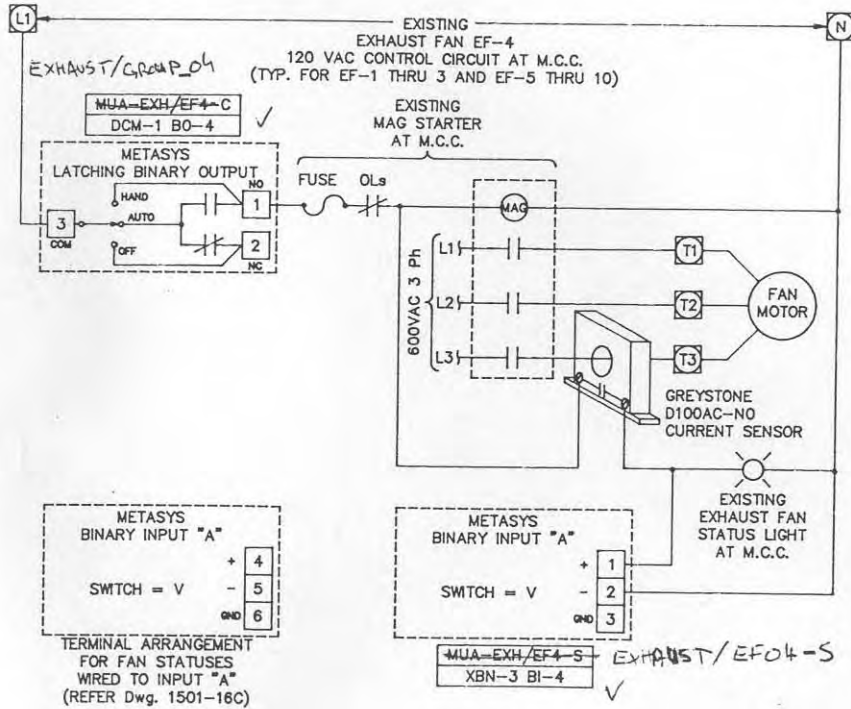
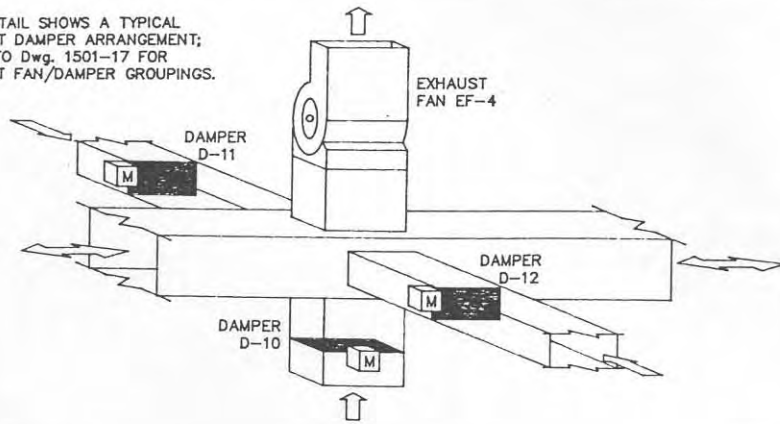


THIS DETAIL SHOWS A TYPICAL EXHAUST DAMPER ARRANGEMENT; REFER TO Dwg. 1501-17 FOR EXHAUST FAN/DAMPER GROUPINGS.



LEGEND

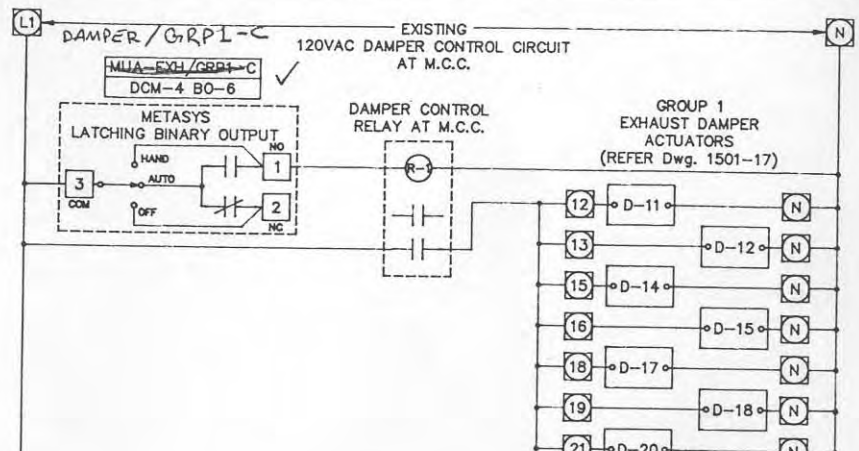
n EXISTING M.C.C. TERMINALS

n METASYS BASEFRAME TERMINALS

METASYS BASEFRAME TERMINAL NUMBERING BAYS 1 THRU 5

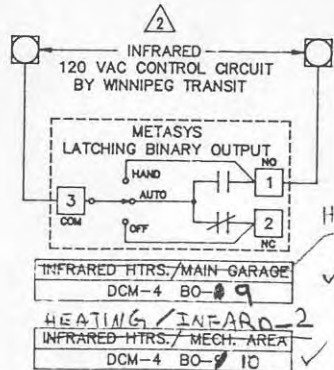
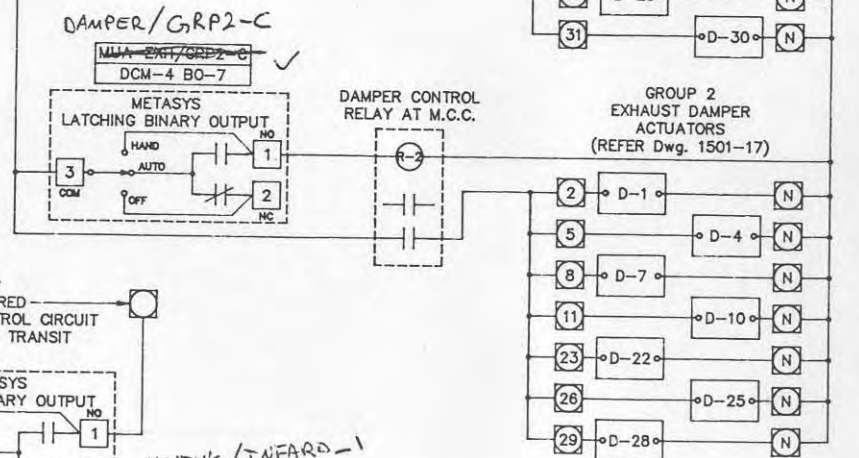
METASYS BASEFRAME TERMINAL NUMBERING BAYS 6 THRU 9

METASYS BASEFRAME TERMINAL NUMBERING BAYS 10 THRU 14



NOTE:

- 1) ALL METASYS CONTROLLED DAMPERS ARE NORMALLY OPEN
- 2) DAMPERS D-2/3/5/6/8/9/13/16/19 ARE NOT CONTROLLED; FIXED IN THE OPEN POSITION



DRAWING TITLE
NORTH BUS GARAGE
EXHAUST FAN & DAMPER
CONTROL WIRING

PROJECT
WINNIPEG TRANSIT
METASYS FACILITY
MANAGEMENT SYSTEM

INFRARED HEATERS		2	2098-5007/AS BLT		12/02/78	OW
INFRARED HEATERS		1	AS BUILT		05/17/79	AF
REFERENCE DRAWING NO.	REVISION-LOCATION	EDN	DATE	BY		
SALES ENGR PROJECT ENGR	DRG APPR ENGR	CHK	DATE	BY		
BH	DM	JHF	01/29/82	LT		
PROJECT		JOHNSON CONTROLS LTD		CONTRACT NUMBER		90098-0310
WINNIPEG TRANSIT		800 MORAY STREET		DRAWING NUMBER		1501-18
METASYS FACILITY		WINNIPEG, MANITOBA		SYSTEMS & SERVICES DIVISION		
MANAGEMENT SYSTEM		R2U 3V9		204-885-8300		

FILE: N-EXHFAN