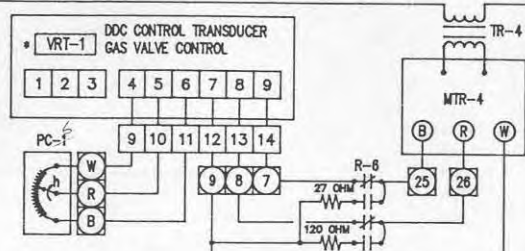
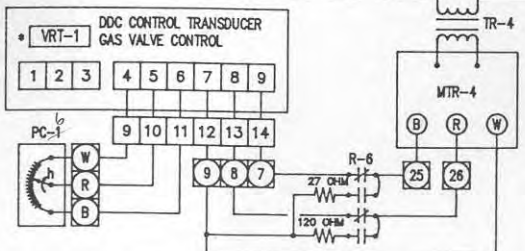
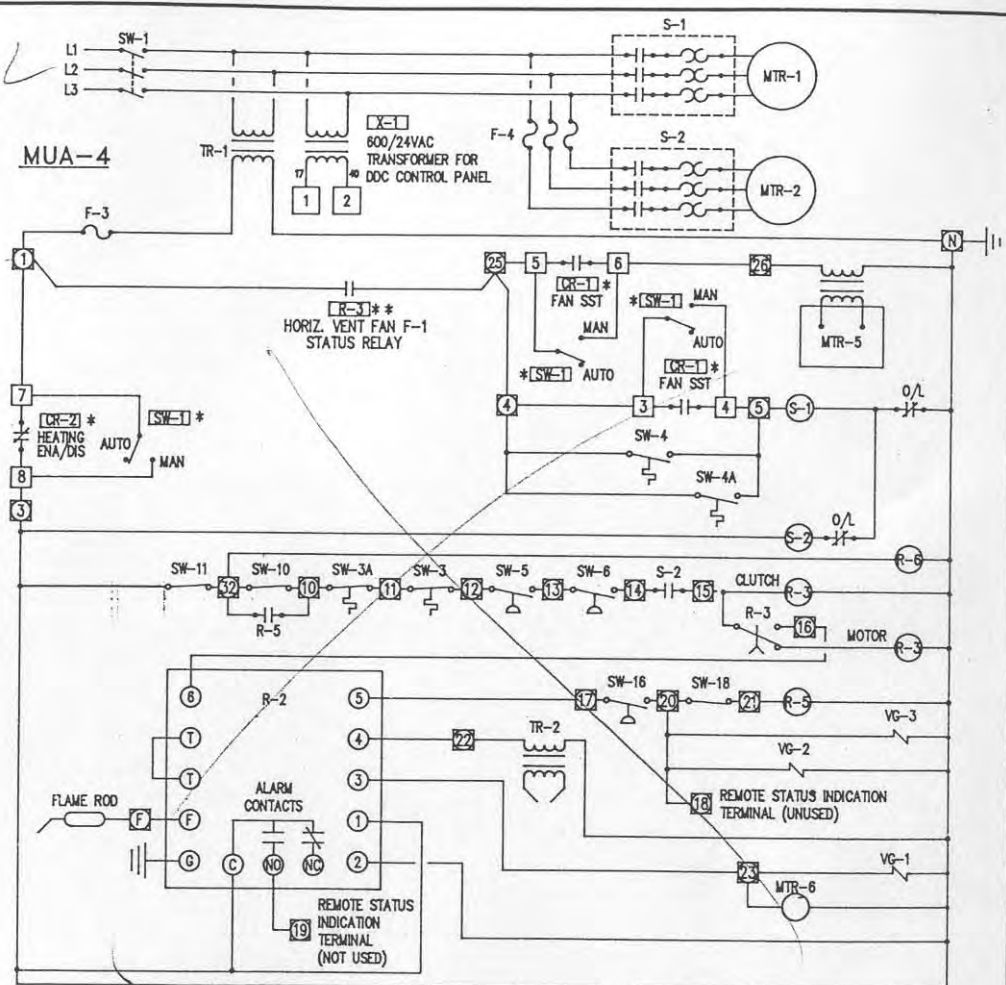
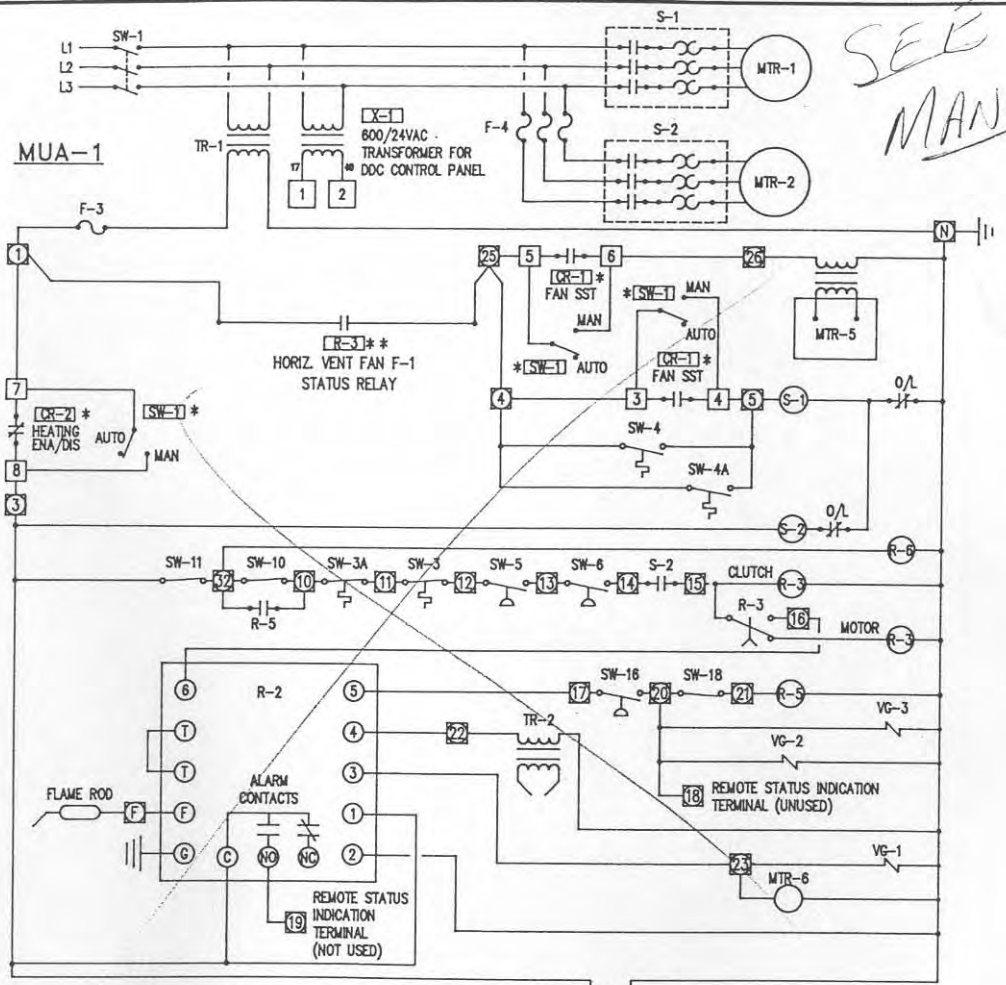


SEE MANUAL



LEGEND

- JCL DDC PANEL TERMINAL
- EXIST. REMOTE PANEL TERMINAL
- MUA TERMINAL
- * MOUNTED IN 20" X 20" DDC CONTROL PANEL (REFER Dwg. 1501-9A/10A)
- ** MOUNTED IN CYCLONE CONTROL PANEL (REFER Dwg. 1501-7A)

- F-1 MAIN DISCONNECT FUSE
- F-3 CONTROL FUSE
- F-4 INDUCED DRAFT FUSE
- MTR-1 MAIN SUPPLY FAN MOTOR
- MTR-2 INDUCED DRAFT MOTOR
- MTR-4 MODUTROL MOTOR
- MTR-5 DAMPER MOTOR
- MTR-6 BURNER MOTOR
- PC-1 ROOM THERMOSTAT
- PC-2 LOW LIMIT CONTROLLER
- PC-3 HIGH LIMIT CONTROLLER
- PC-6 DUCT THERMOSTAT
- TR-1 CONTROL TRANSFORMER
- TR-2 GAS IGNITION TRANSFORMER
- TR-3 OIL IGNITION TRANSFORMER
- TR-4 MODUTROL MOTOR TRANSFORMER
- TR-5 DAMPER MOTOR TRANSFORMER
- TR-6 ALARM CIRCUIT TRANSFORMER
- TR-8 MAIN DISCONNECT SWITCH
- TR-10 AUXILIARY END SWITCH No.1
- TR-11 AUXILIARY END SWITCH No.2
- SW-3 HIGH LIMIT SWITCH
- SW-4 FAN SWITCH
- SW-2A AUXILIARY HIGH LIMIT SWITCH
- SW-4A AUXILIARY FAN SWITCH
- SW-5 DRAFT PROVING SWITCH
- SW-8 LOW GAS CUTOFF SWITCH
- SW-7 HIGH GAS CUTOFF SWITCH
- SW-8 MANUAL FAN SWITCH
- SW-10 AUXILIARY END SWITCH No.1
- SW-11 AUXILIARY END SWITCH No.2
- SW-12 FUEL SELECTOR SWITCH 4PDT
- SW-16 DIFFERENTIAL SWITCH
- SW-17 SAIL SWITCH
- SW-18 LOW FIRE TEST SWITCH
- SW-20 HEAT/VENT SWITCH
- VO-1 PRIMARY OIL VALVE
- VO-2 SECONDARY OIL VALVE
- VO-3 SECONDARY OIL VALVE
- VO-4 BYPASS OIL VALVE
- VO-5 OIL SAFETY SWITCH
- VG-1 PILOT GAS VALVE
- VG-2 MAIN GAS VALVE
- VG-3 AUXILIARY MAIN GAS VALVE
- L-1 FAN "ON" LIGHT
- L-2 BURNER "ON" LIGHT
- L-3 ALARM LIGHT
- MP-1 DAMPER MOTOR POTENTIOMETER

DRAWING TITLE
 FT. ROUGE BUS GARAGE
 SERVICE BAY - TEMPRITE -
 MAKE-UP AIR UNIT WIRING DETAIL
 TYP. FOR MUA-1 AND 4

DP-1/DP-4 DELETED	3	1088-5008	08/24/94	OR
CHANGE ORDER 1	1	AS BUILT	08/29/94	J
REFERENCE DRAWING NO.	1	F-1 INTERLOCK	08/23/94	J
REFERENCE DRAWING NO.	1	REVISION-LOCATION	EGN	DATE BY
SALES ENGINEER	DM	DESIGNER	APPROVED	
BH	DM	JHF	BY OR DATE 08/17/90	BY DATE
PROJECT WINNIEG TRUST METASYS FACILITY MANAGEMENT SYSTEM			CONTRACT NUMBER 90098-0310	
JOHNSON CONTROLS Systems & Services Division			DRAWING NUMBER 1501-11A	

FILE: FORTRED1