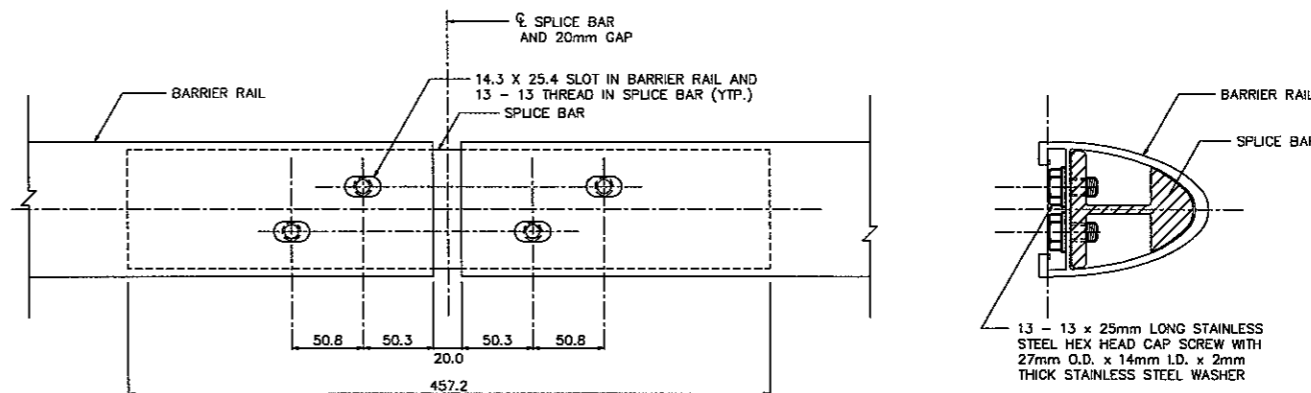
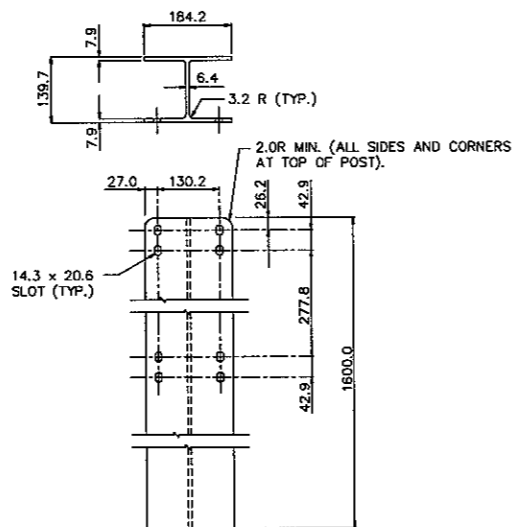
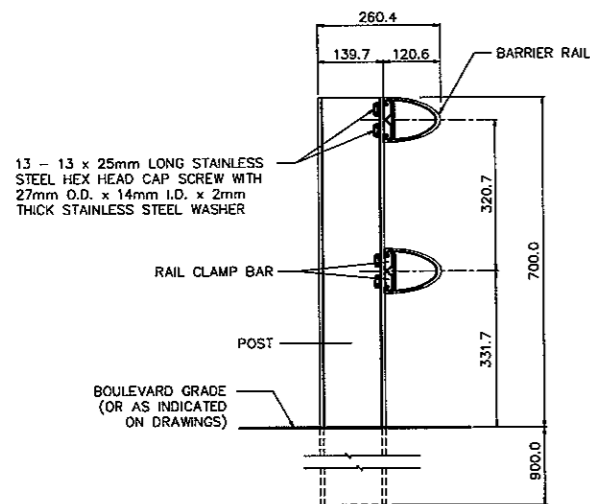
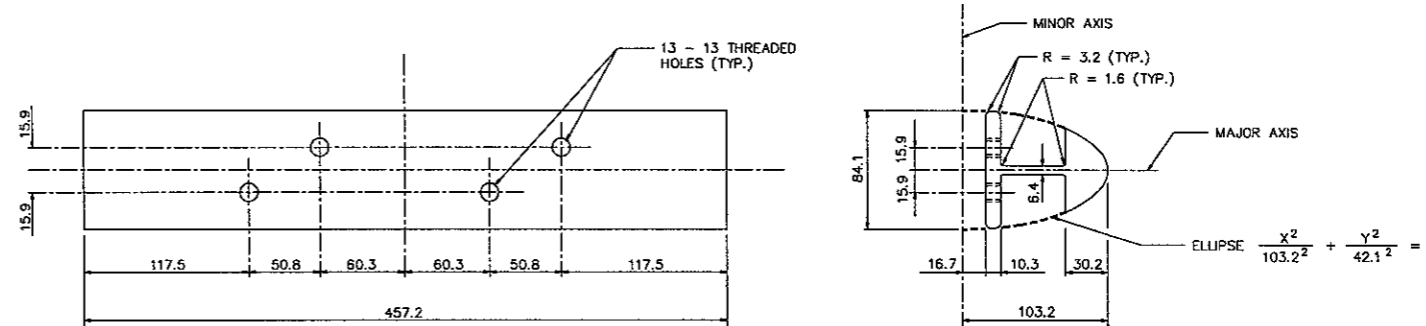
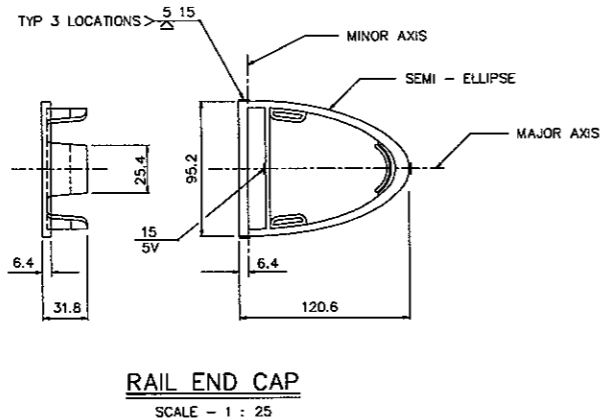
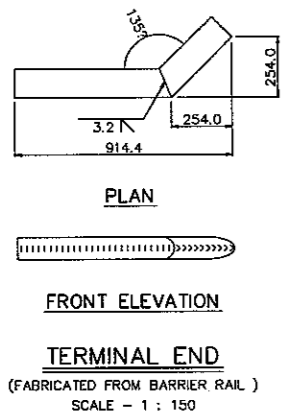
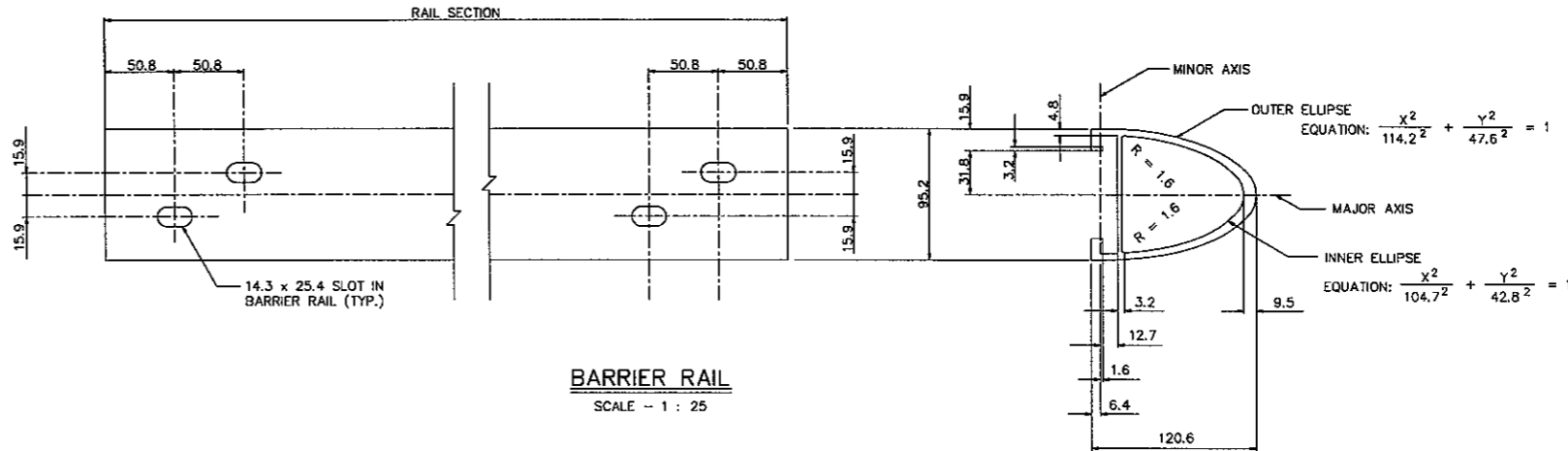


RAIL CLAMP BAR
SCALE - 1 : 25



MATERIAL SPECIFICATION

- ALUMINUM RAILS, POSTS, SPLICE BARS, AND RAIL END CAPS SHALL CONFORM TO ASTM B221, ALLOY 6061 - T6, OR ALLOY 6351 - T6.
- TYPE 316 STAINLESS STEEL WASHERS SHALL CONFORM TO ASTM A296, TYPE 316.
- CAP SCREWS SHALL CONFORM TO ASTM A276, TYPE 316 STAINLESS STEEL.
- ANTI-SEIZE COATING TO BE APPLIED TO ALL THREADED COMPONENTS WHEN BEING ASSEMBLED, i.e. LPS-3-MANUFACTURED BY HOLT LLOYD (CANADA) LTD., MARKHAM, ONTARIO L3R 2Z3
- TWO COATS, EACH 1mm IN THICKNESS OF ALKALI-RESISTANT BITUMINOUS PAINT SHALL BE APPLIED ON THE SURFACES OF POSTS AND RAILS THAT ARE TO BE IN CONTACT WITH THE GROUND.

METRIC
ALL DIMENSIONS SHOWN ARE IN MILLIMETRES

B.M. ELEV.	DESIGNED BY N/A	ENGINEER'S SEAL	ENGINEER'S SEAL	<p>THE CITY OF WINNIPEG PUBLIC WORKS DEPARTMENT</p>
	DRAWN BY N.B.G.	N/A	N/A	
	CHECKED BY R.A.W.	<p>DILLON CONSULTING</p>		<p>MARYLAND TWIN BRIDGES REHABILITATION PROJECT EAST BRIDGE REHABILITATION</p>
	REVIEWED BY R.A.W.			
2 ISSUED FOR TENDER	02/02/06 N.B.G.	<p>HOR. SCALE AS NOTED</p>	<p>RELEASED FOR CONSTRUCTION </p>	<p>SHEET 35 OF 38</p>
1 ISSUED FOR CITY REVIEW	12/14/05 N.B.G.	<p>DEC. 2005</p>	<p>CONSULTANT PROJECT NO. 05-5069-1000</p>	<p>BALANCED SHOULDER BARRIER STANDARD DETAILS</p>