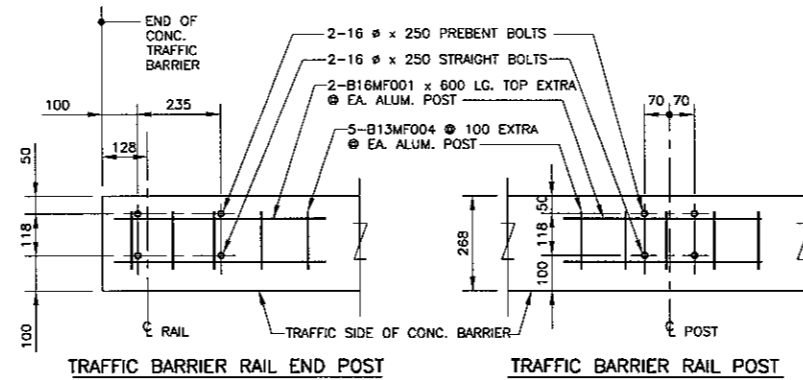


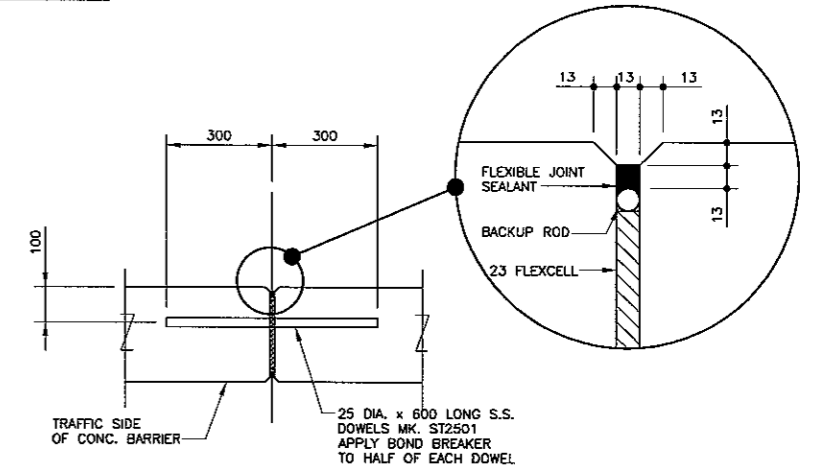
**CONCRETE MEDIAN TRAFFIC BARRIER DETAIL AT ABUTMENT E1**  
1: 20

**CONCRETE MEDIAN TRAFFIC BARRIER DETAIL AT ABUTMENT E6**  
1: 20

BILL OF MATERIAL ALUMINUM TRAFFIC BARRIER RAIL							
ITEM	NO. REQ'D.	SALVAGE	CITY SUPPLIED	CONTRACTOR SUPPLIED	CONTRACTOR FABRICATED FROM CITY SUPPLIED COMPONENTS	CONTRACTOR FABRICATED FROM CONTRACTOR SUPPLIED COMPONENTS	SALVAGE AND USE AT SOUTH END MEDIAN
<b>FOR CONCRETE MEDIAN TRAFFIC BARRIER</b>							
TRAFFIC BARRIER RAIL POST (BR1)	48	47	1				
11430 RAIL	13	14					1
10545 RAIL	1						1
7610 RAIL	1				1		
4888 RAIL	1				1		
457.2 STD. SPLICE BAR	16	16					
700 EXPANSION SPLICE BAR	2	2					
146 RAIL CLAMP BAR	96	94		2			
CAP SCREWS	260			260			
WASHERS	260	260					
SHIMS	AS REQ'D.			AS REQ'D.			



**TYPICAL ANCHOR BOLT LAYOUT FOR ALUMINUM RAIL POST**  
1: 10



**TYPICAL CONSTRUCTION JOINT DETAIL FOR CONCRETE TRAFFIC BARRIER**  
1: 10

**NOTES:**

- QUANTITIES SHOWN ARE TOTAL OF NORTHBOUND LANE MEDIAN ALUMINUM TRAFFIC BARRIER RAILINGS.
- ALL NEW ITEMS ON THE ALUMINUM TRAFFIC BARRIER BILL OF MATERIALS WILL BE SUPPLIED BY THE CITY UNLESS OTHERWISE NOTED.

S.M. ELEV. DESIGNED BY N.B.G. DRAWN BY N.B.G. CHECKED BY R.A.W. REVIEWED BY R.A.W.	DILLON CONSULTING	ENGINEER'S SEAL PROVINCE OF MANITOBA R. A. WIEBE REGISTERED PROFESSIONAL ENGINEER	ENGINEER'S SEAL PROVINCE OF MANITOBA A. S. DERAJ REGISTERED PROFESSIONAL ENGINEER	THE CITY OF WINNIPEG PUBLIC WORKS DEPARTMENT
2 ISSUED FOR TENDER 02/02/06 N.B.G. 1 ISSUED FOR CITY REVIEW 02/14/05 N.B.G.	HOR. SCALE AS NOTED VERTICAL AS NOTED	RELEASED FOR CONSTRUCTION DATE 01-31-06	CONSULTANT PROJECT NO. 05-5069-1000	MARYLAND TWIN BRIDGES REHABILITATION PROJECT EAST BRIDGE REHABILITATION
NO. REVISIONS DATE BY	DATE DEC. 2005	DATE 01-31-06	CONSULTANT PROJECT NO. 05-5069-1000	CITY DRAWING NUMBER B108-06-29 SHEET 29 OF 38