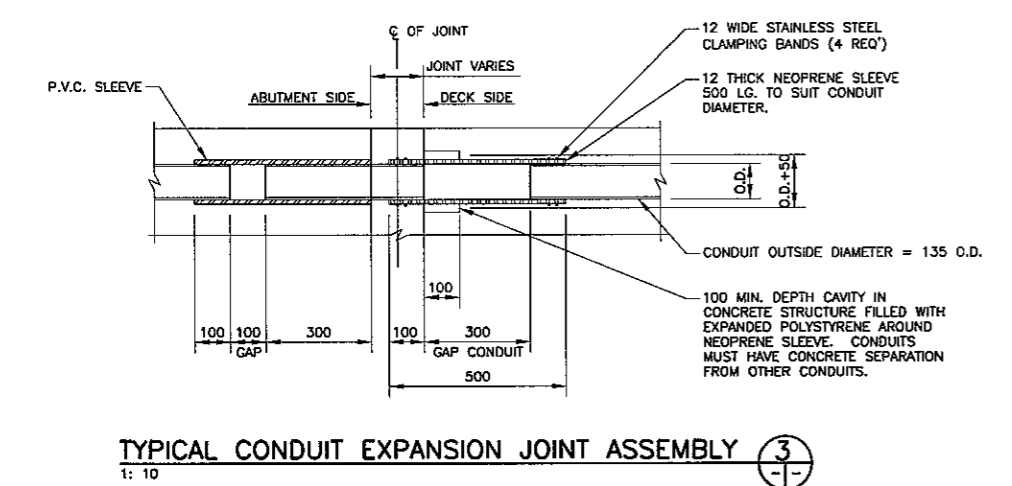
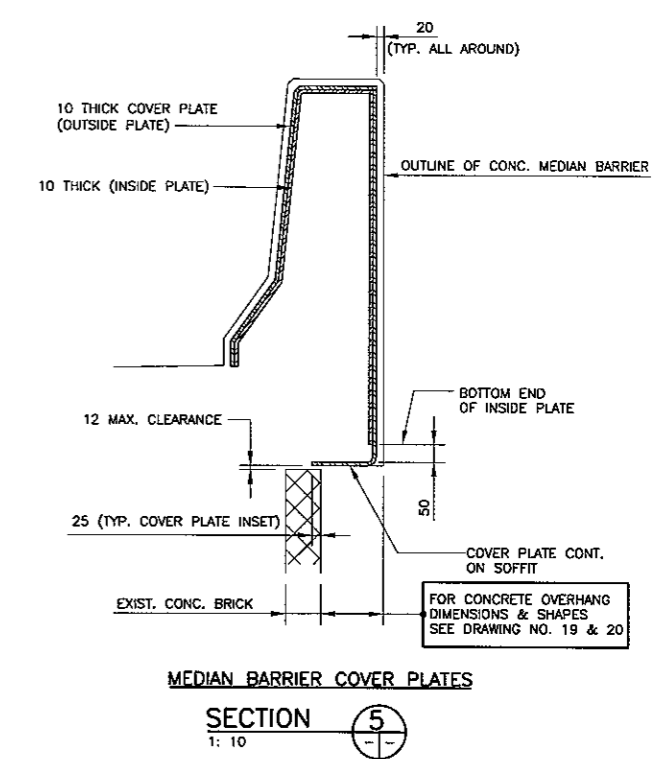
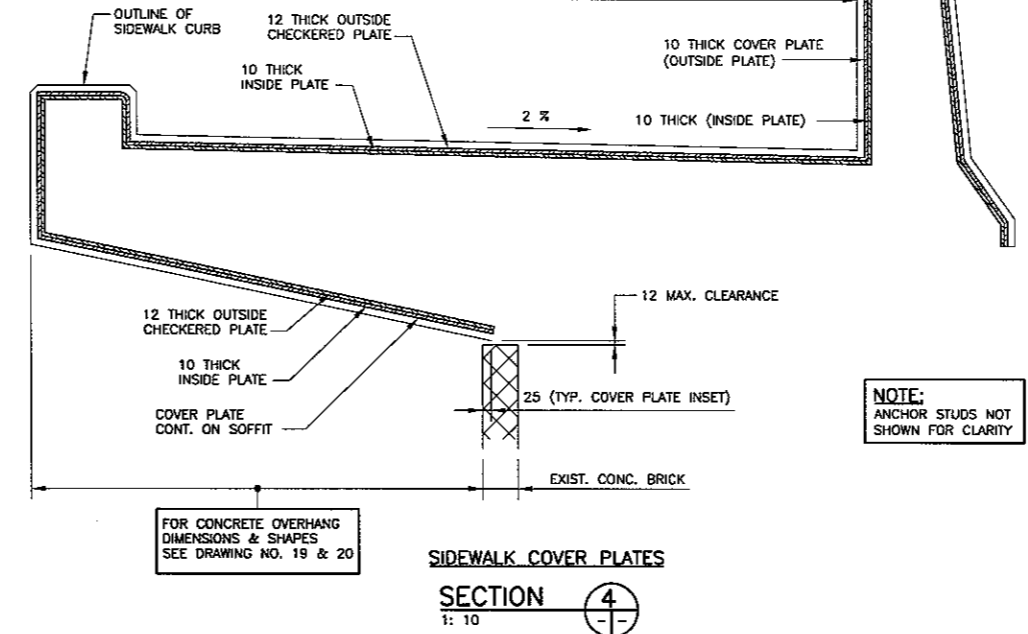


GAP SETTING TABLE (DIMENSION "B")

STRUCTURE TEMP (°C)	-5	0	5	10	15	20	25	30
DIM 'B'	43	40	37	33	30	27	23	20



DESIGNED BY: R.A.W.	ENGINEER'S SEAL: PROVINCE OF MANITOBA R.A. WIEBE	ENGINEER'S SEAL: PROVINCE OF MANITOBA S.S. RIHAL	THE CITY OF WINNIPEG PUBLIC WORKS DEPARTMENT MARYLAND TWIN BRIDGES REHABILITATION PROJECT EAST BRIDGE REHABILITATION EXPANSION JOINT DETAILS	CITY DRAWING NUMBER B108-06-21 SHEET 21 OF 38
DRAWN BY: N.B.G.	CHECKED BY: R.A.W. Row	REVIEWED BY: S.S.R. Jan 31/06		
ISSUED FOR TENDER: 02/02/06 N.B.G.	HOR. SCALE: AS NOTED	RELEASED FOR: 02/02/06 N.B.G.	CONSULTANT PROJECT NO. 05-5069-1000	
ISSUED FOR CITY REVIEW: 12/14/05 N.B.G.	DATE: DEC. 2005	DATE: 02-31-06		