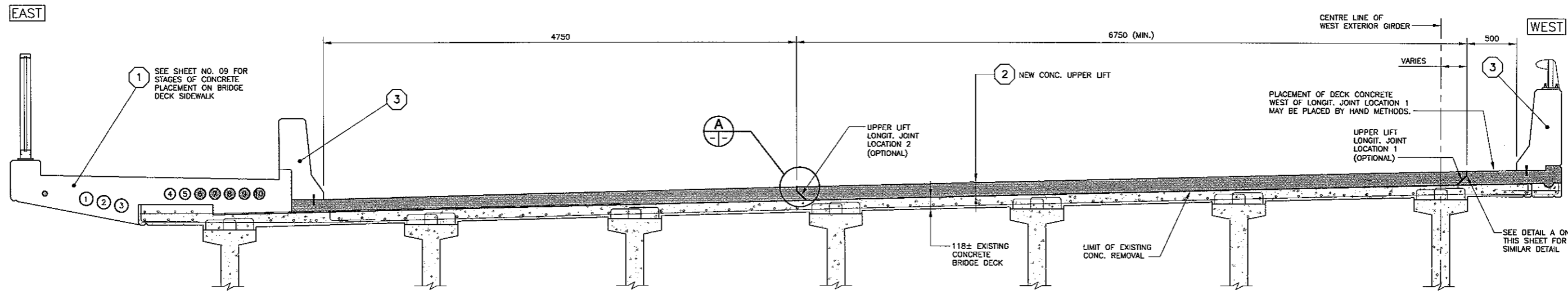


PROPOSED REMOVAL SEQUENCE OF EXISTING CONCRETE BRIDGE DECK
1: 20

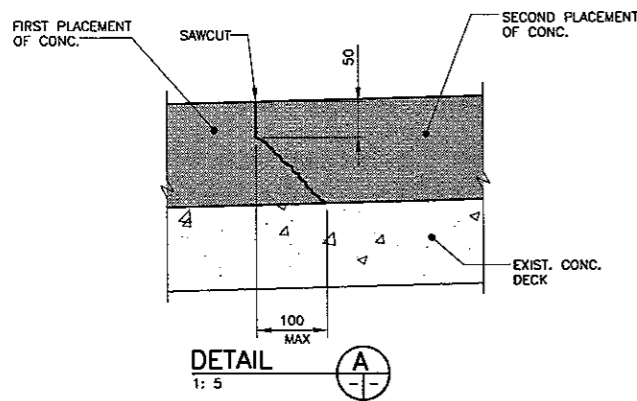


PROPOSED PLACING SEQUENCE OF NEW CONCRETE OVER EXISTING CONCRETE BRIDGE DECK
1: 20

LEGEND

- - PROPOSED REMOVAL SEQUENCE
- ⊕ - PROPOSED PLACING SEQUENCE

- NOTES**
1. FOR REMOVAL DEPTHS AND NEW CONCRETE PLACEMENT DEPTHS SEE SHEET NO. 14.
 2. FOR REMOVAL OF EXISTING CONCRETE DECK OVER PIER LOCATIONS SEE SHEET NO. 18.
 3. FOR EXISTING REINFORCEMENT TO REMAIN DURING REMOVAL SEE SHEET NO. 17 & 18.
 4. FOR NEW REINFORCING ON NEW CONCRETE PLACEMENT SEE SHEET NO. 17 & 18.
 5. FOR EXISTING MTS DUCTS REPLACEMENT SEE SHEET NO. 07, 08, & 09.



DESIGNED BY: R.A.W. DRAWN BY: N.B.G. CHECKED BY: R.A.W. REVIEWED BY: R.A.W.		ENGINEER'S SEAL: R.K. WIEBE PROVINCE OF MANITOBA REGISTERED PROFESSIONAL ENGINEER		THE CITY OF WINNIPEG PUBLIC WORKS DEPARTMENT	
2 ISSUED FOR TENDER 02/02/06 N.B.G. 1 ISSUED FOR CITY REVIEW 12/14/05 N.B.G.		HOR. SCALE: AS NOTED VERTICAL: AS NOTED		CONSULTANT PROJECT NO.: 05-5069-1000	
MARYLAND TWIN BRIDGES REHABILITATION PROJECT EAST BRIDGE REHABILITATION		REMOVAL AND PLACING SEQUENCE OF CONCRETE BRIDGE DECK		CITY DRAWING NUMBER: B108-06-13 SHEET: 13 OF 38	