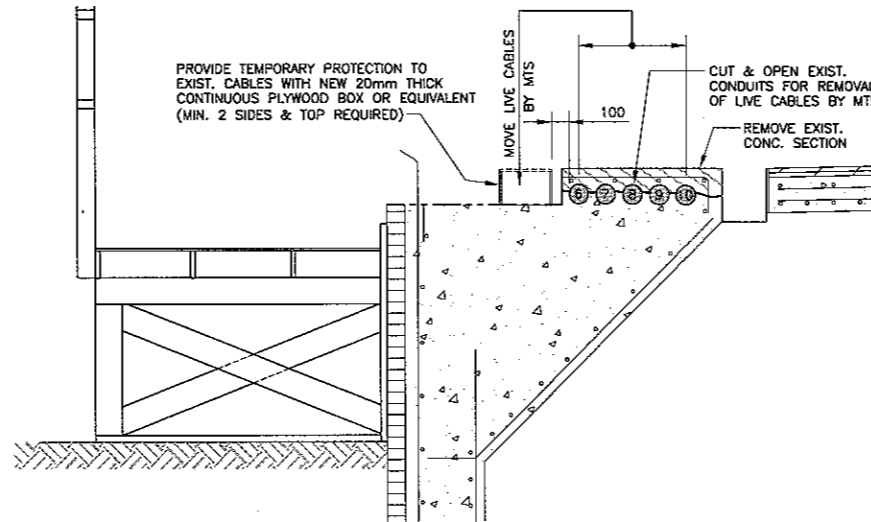


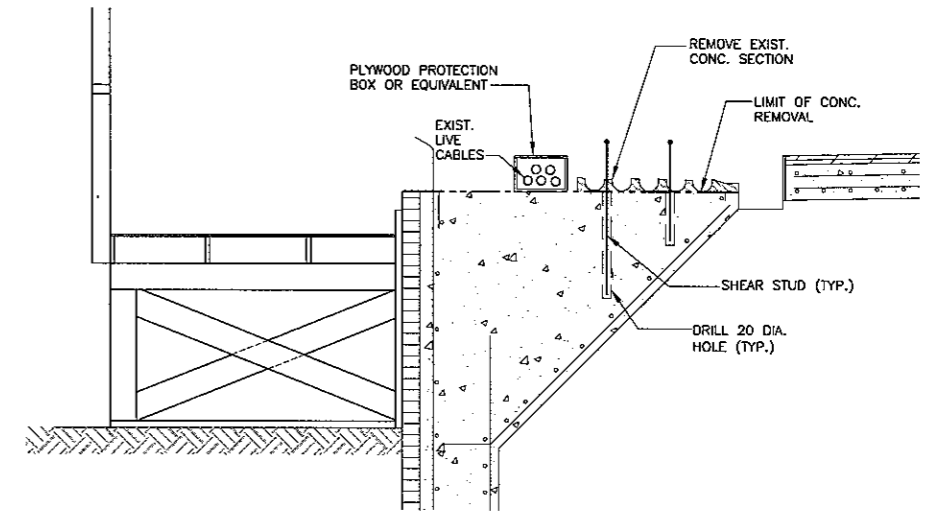
STAGE 1

- A. INSTALL FALSEWORK PLATFORM. FALSEWORK SHOWN IS CONCEPTUAL ONLY AND IS TO BE DESIGNED BY THE CONTRACTOR.
- B. REMOVE CONCRETE AND CONDUITS 1 TO 5.
- C. DO NOT DAMAGE EXISTING REINFORCING STEEL SHOWN IN NEXT STAGE TO REMAIN.



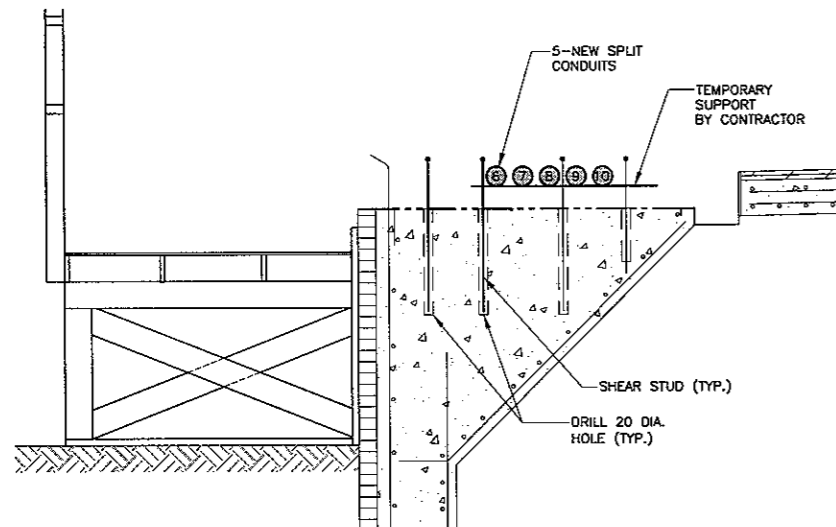
STAGE 2

- A. REMOVE CONCRETE AND OPEN TOP OF EXIST. CONDUITS 6 TO 10.
- B. M.T.S. TO MOVE CABLES FROM OPENED CONDUITS TO TEMPORARY LOCATION.
- C. CONSTRUCT TEMPORARY PROTECTION BOX OVER CABLES. SAME DAY



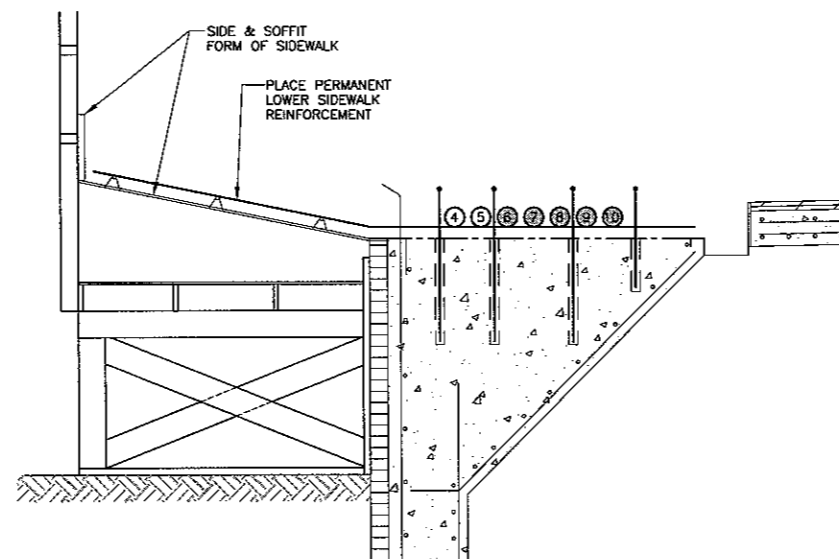
STAGE 3

- A. REMOVE REMAINING CONCRETE.
- B. DRILL HOLES AND INSTALL SHEAR STUDS.



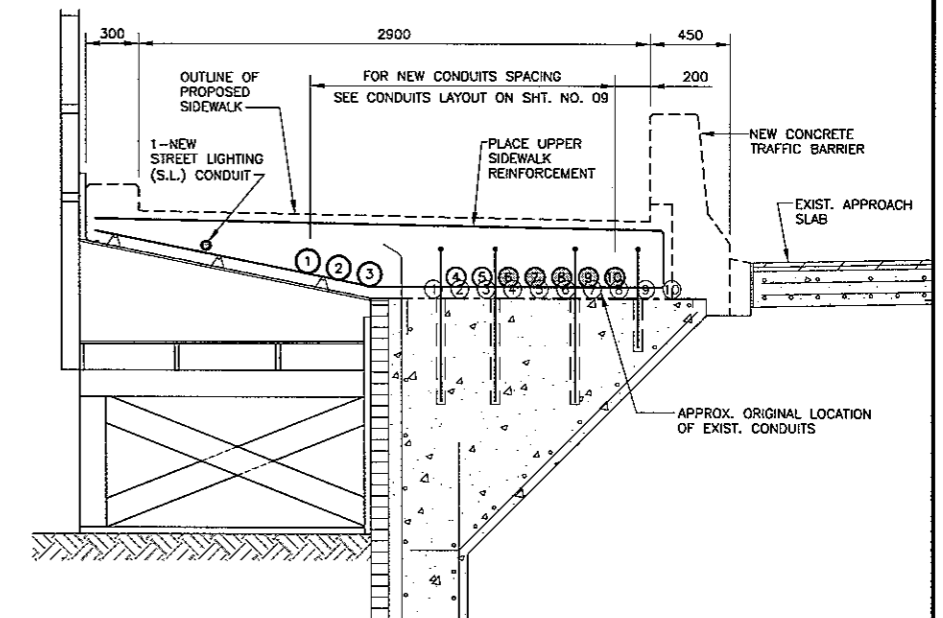
STAGE 4

- A. PLACE BOTTOM OF SPLIT CONDUIT 6 TO 10.
- B. M.T.S. TO MOVE CABLES FROM TEMPORARY LOCATION TO SPLIT CONDUITS.
- C. CLOSE CONDUITS 6 TO 10.
- D. DRILL HOLES AND INSTALL REMAINING SHEAR STUDS.



STAGE 5

- A. CONSTRUCT SIDE AND SOFFIT FORM OF SIDEWALK.
- B. PLACE PERMANENT LOWER SIDEWALK REINFORCING.
- C. PLACE PERMANENT REINFORCEMENT SUPPORTING CONDUITS.
- D. PLACE NEW EMPTY CONDUITS 4 & 5.



STAGE 6

- A. PLACE NEW EMPTY CONDUITS 1 TO 3 AND NEW STREET LIGHTING (S.L.) CONDUIT.
- B. PLACE UPPER SIDEWALK REINFORCEMENT AND CONCRETE.

LEGEND

- EXIST. CONC. REMOVAL
- LIMIT OF CONC. REMOVAL
- OCCUPIED CONDUIT
- EMPTY CONDUIT

NOTES:

1. M.T.S. CABLES EXIST IN CONDUIT NUMBERS 6 TO 10 AND ARE LIVE AND NOT TO BE DAMAGED DURING CONSTRUCTION. EXISTING CONDUITS 1 TO 5 ARE EMPTY AND ARE TO BE REMOVED WITHOUT SALVAGING.
2. SHOWN ON THIS DRAWING ARE STAGES OF REMOVAL AND PLACEMENT OF CONDUITS ON APPROACH SIDEWALK INTEGRAL WITH THE WINGWALLS.
3. THE FINAL METHOD OF PLACING AND HOLDING DOWN UTILITY CONDUITS IS TO BE DESIGNED AND SUPPLIED BY THE CONTRACTOR.

B.I.C. ELEV.	DESIGNED BY	R.A.W.
	DRAWN BY	N.B.G.
	CHECKED BY	R.A.W.
	REVIEWED BY	R.A.W.
4 ISSUED FOR TENDER	02/02/06	N.B.G.
3 ISSUED FOR CITY REVIEW	12/14/05	N.B.G.
2 FOR MTS & HYDRO REVIEW	11/23/05	N.B.G.
1 FOR MTS REVIEW	11/08/05	N.B.G.
NO. REVISIONS	DATE	BY
	DATE	DEC. 2005

DILLON CONSULTING

RELEASED FOR CONSTRUCTION

DATE 02-21-06

ENGINEER'S SEAL

PROVINCE OF MANITOBA

R.A. WIEBE

REGISTERED PROFESSIONAL ENGINEER

CONSULTANT PROJECT NO. 05-5069-1000

THE CITY OF WINNIPEG
 PUBLIC WORKS DEPARTMENT

MARYLAND TWIN BRIDGES REHABILITATION PROJECT
 EAST BRIDGE REHABILITATION

TYPICAL UTILITY CONDUITS AT WINGWALLS PLACING ARRANGEMENT AND LAYOUT

2 OF 3

CITY DRAWING NUMBER B108-06-08
 SHEET 08 OF 38