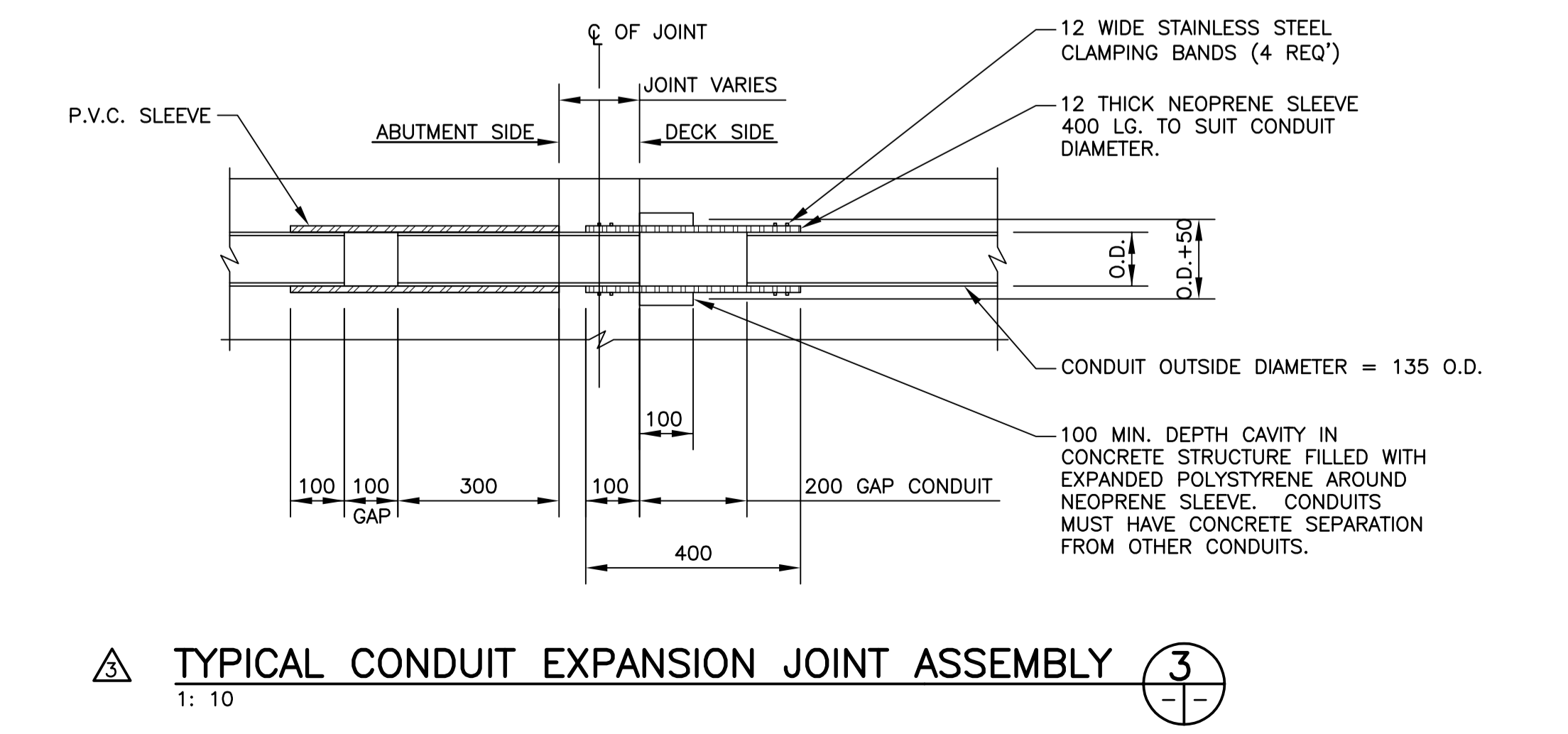
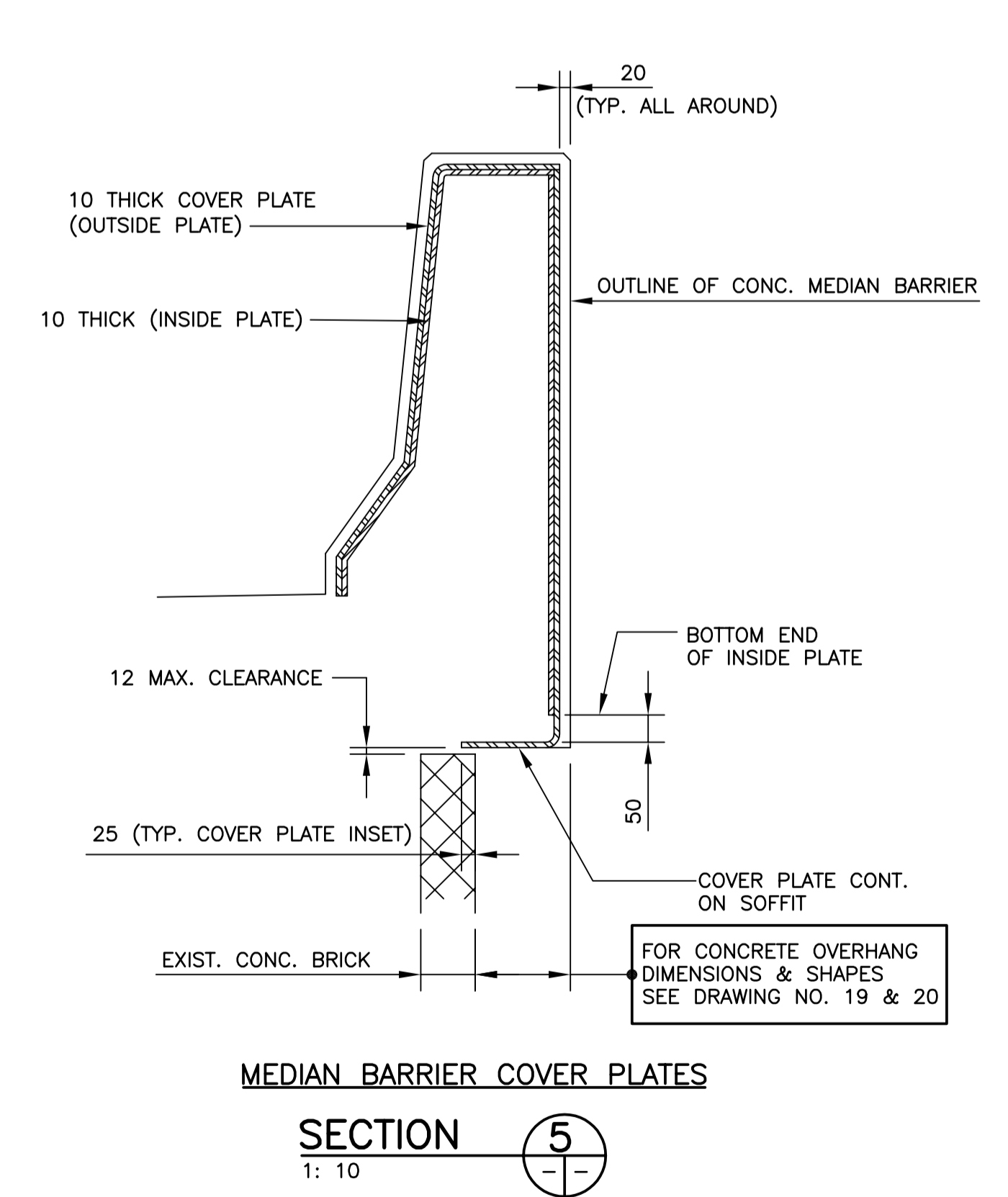
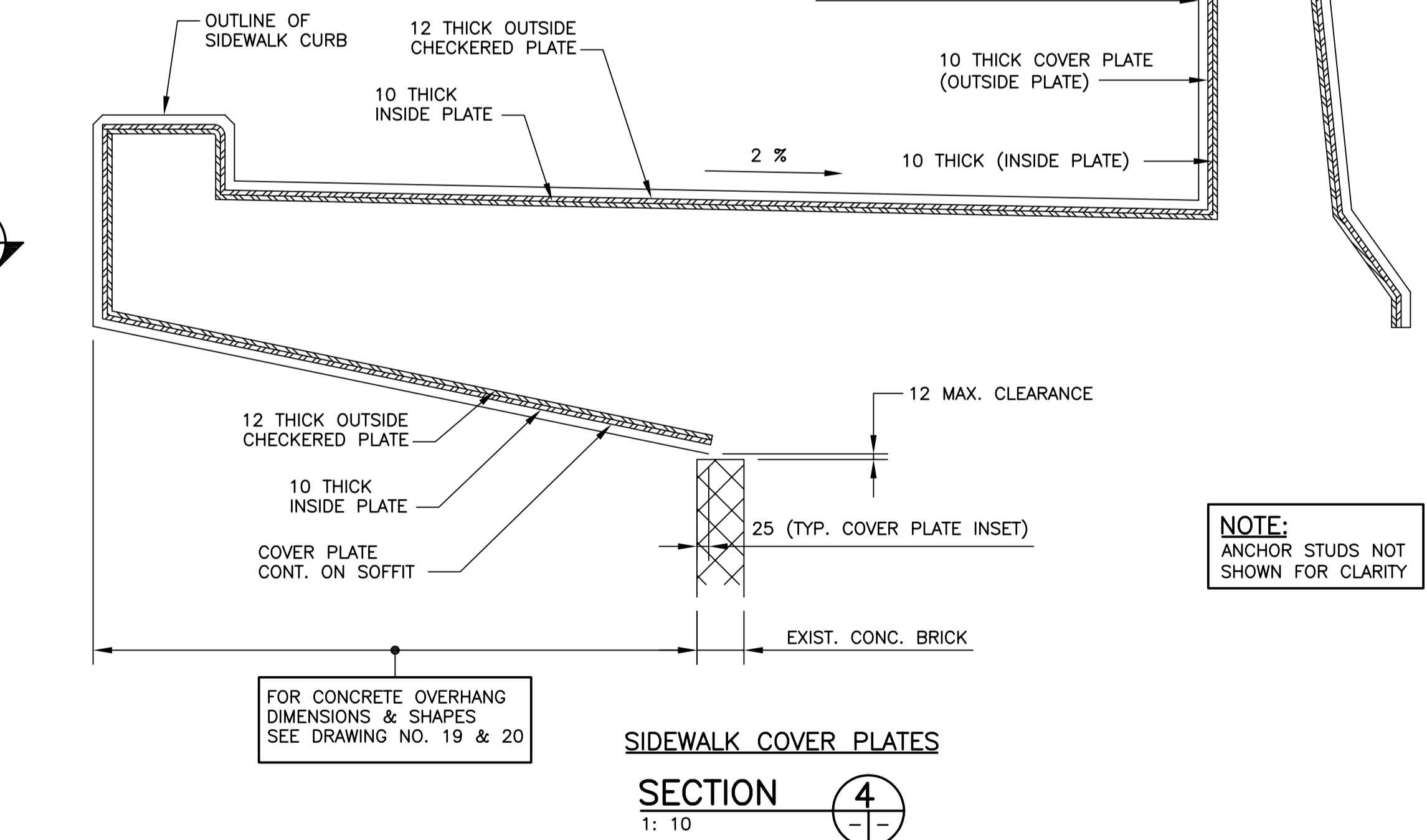


GAP SETTING TABLE (DIMENSION "B")

STRUCTURE TEMP (°C)	-5	0	5	10	15	20	25	30
DIM 'B'	43	40	37	33	30	27	23	20



B.M. ELEV.	DESIGNED BY R.A.W.		ENGINEER'S SEAL	ENGINEER'S SEAL	<p>THE CITY OF WINNIPEG PUBLIC WORKS DEPARTMENT</p>	
	DRAWN BY N.B.G.					<p>MARYLAND TWIN BRIDGES REHABILITATION PROJECT</p>
	CHECKED BY R.A.W.		<p>CONSULTANT PROJECT NO. 05-5069-1000</p>			<p>CITY DRAWING NUMBER B108-06-21</p>
	REVIEWED BY S.S.R.				<p>SHEET 21 OF 38</p>	
3 TYP. CONDUIT EXP. JT. ASSEMBLY DETAIL REVISED 02/21/06 G.C.L.						
2 ISSUED FOR TENDER 02/02/06 N.B.G.	HOR. SCALE AS NOTED					
1 ISSUED FOR CITY REVIEW 12/14/05 N.B.G.	VERTICAL					
NO. REVISIONS	DATE BY	DATE	DEC. 2005	DATE		