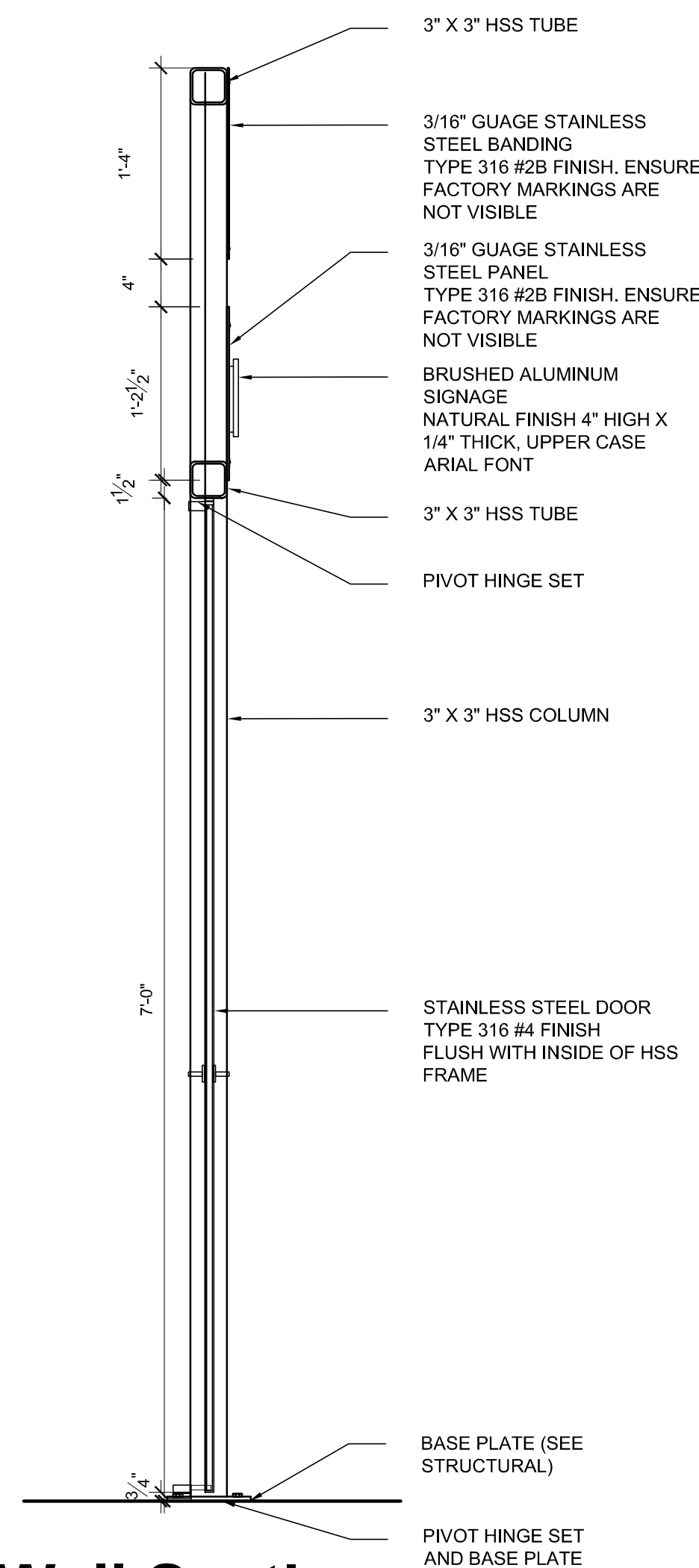
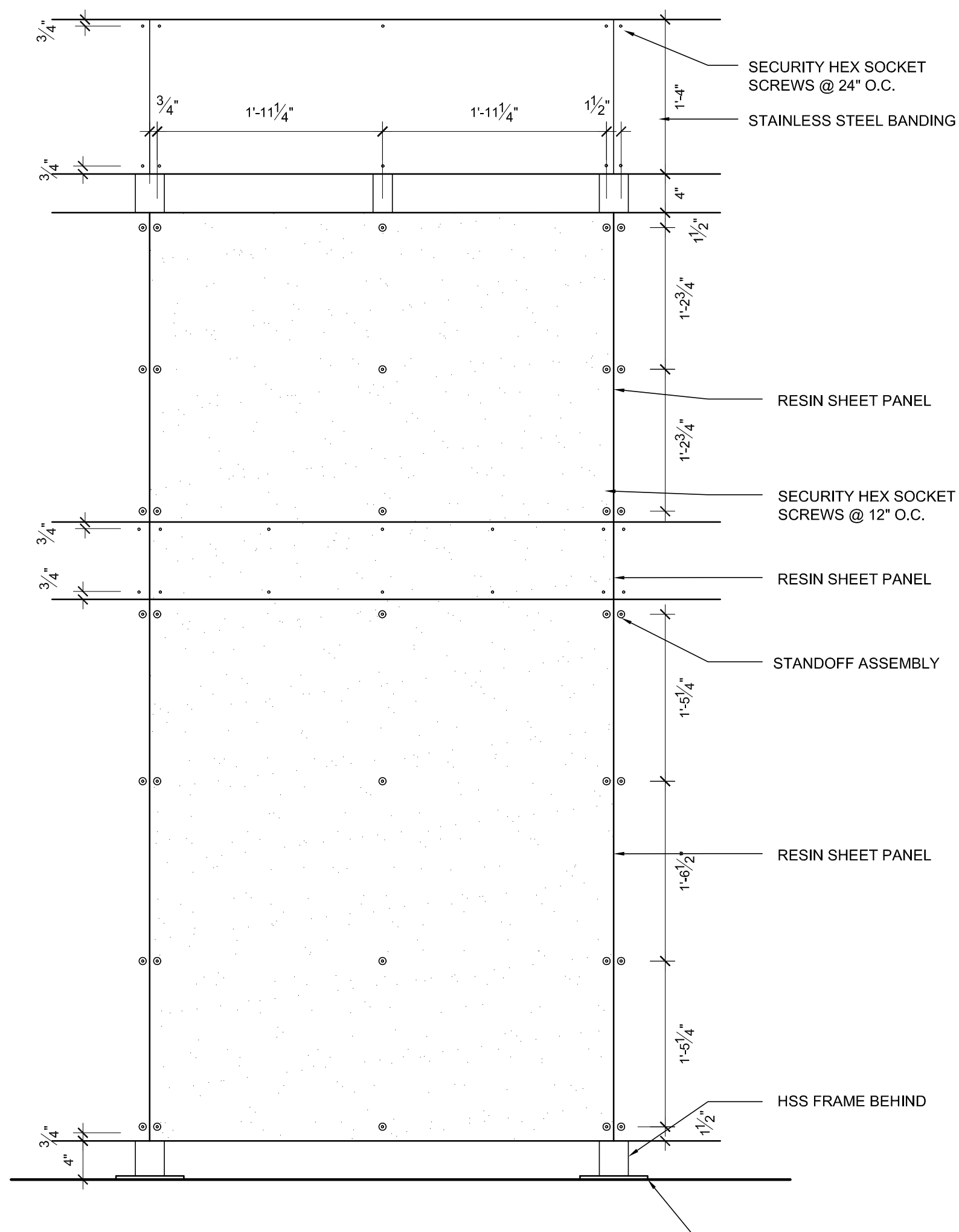


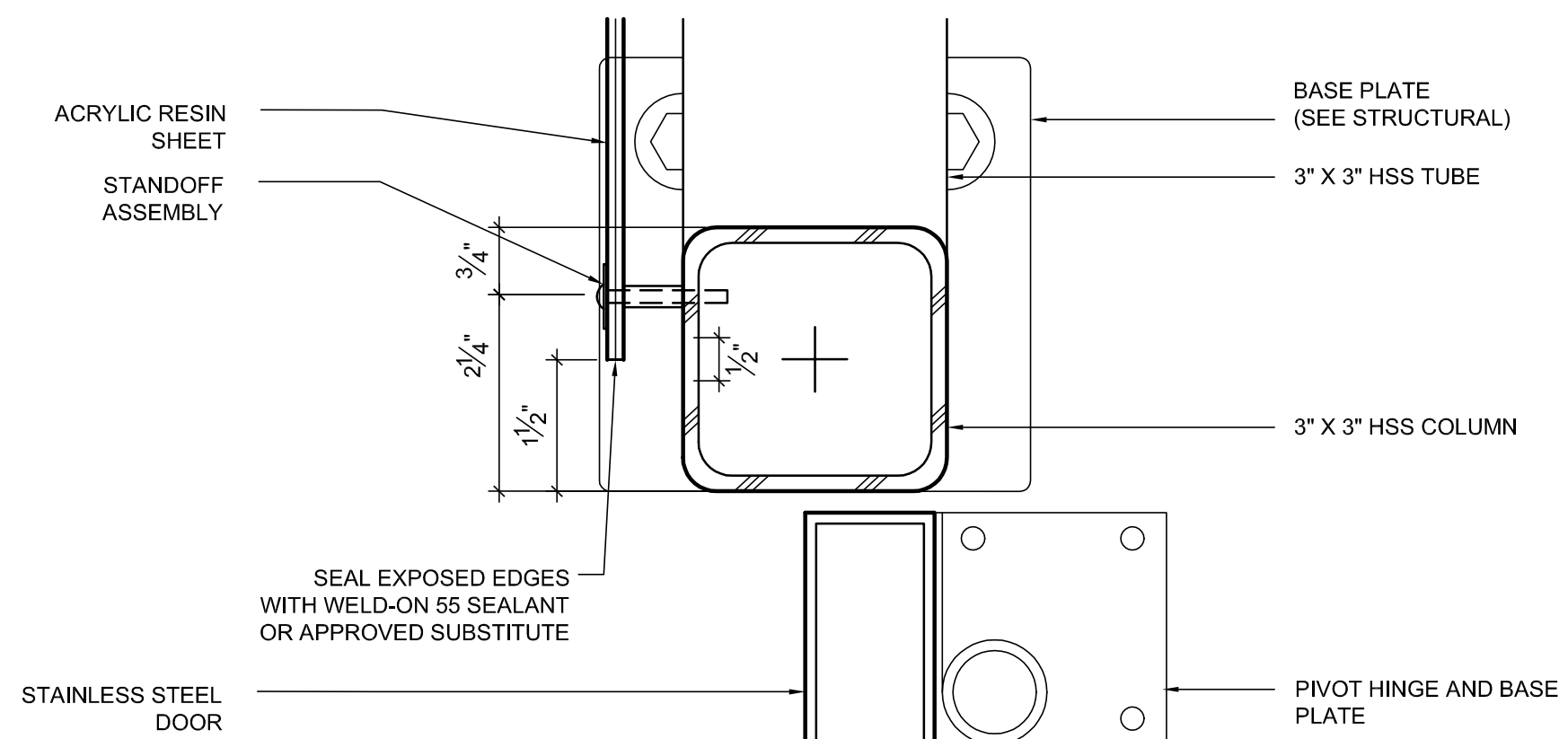
**1 MPR Typ. Wall Section**  
A4 Scale: 1" = 1'-0"



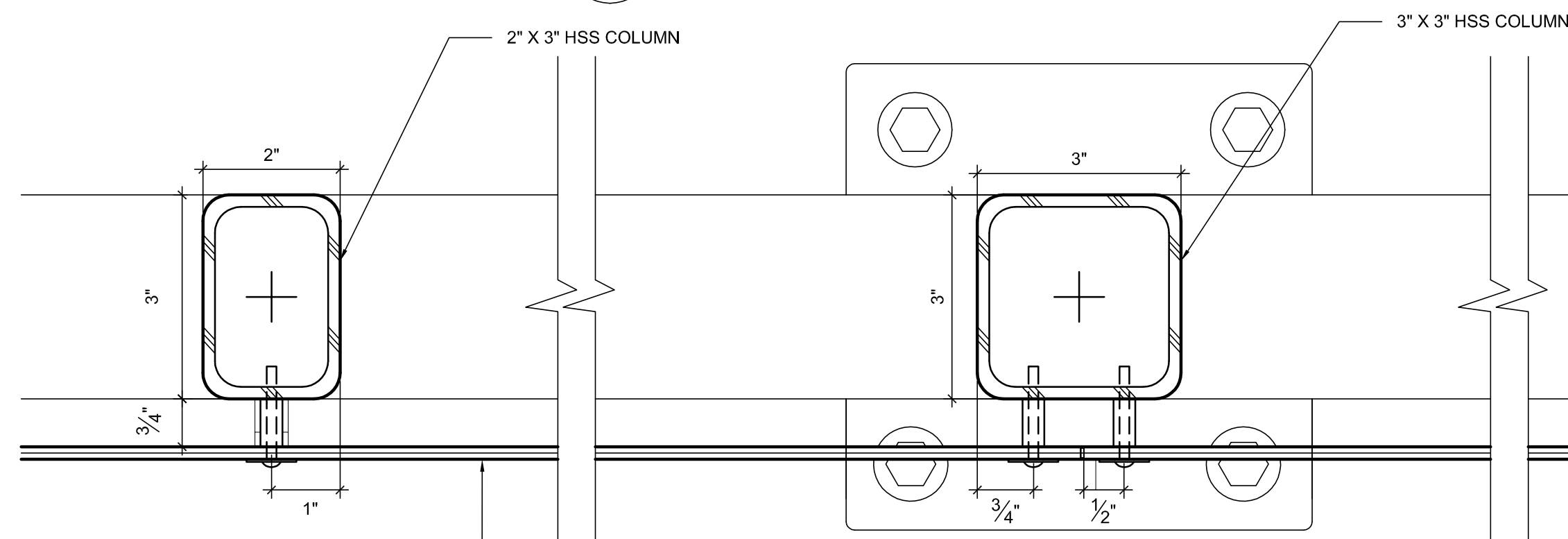
**2 Wall Section Through Door**  
A4 Scale: 1" = 1'-0"



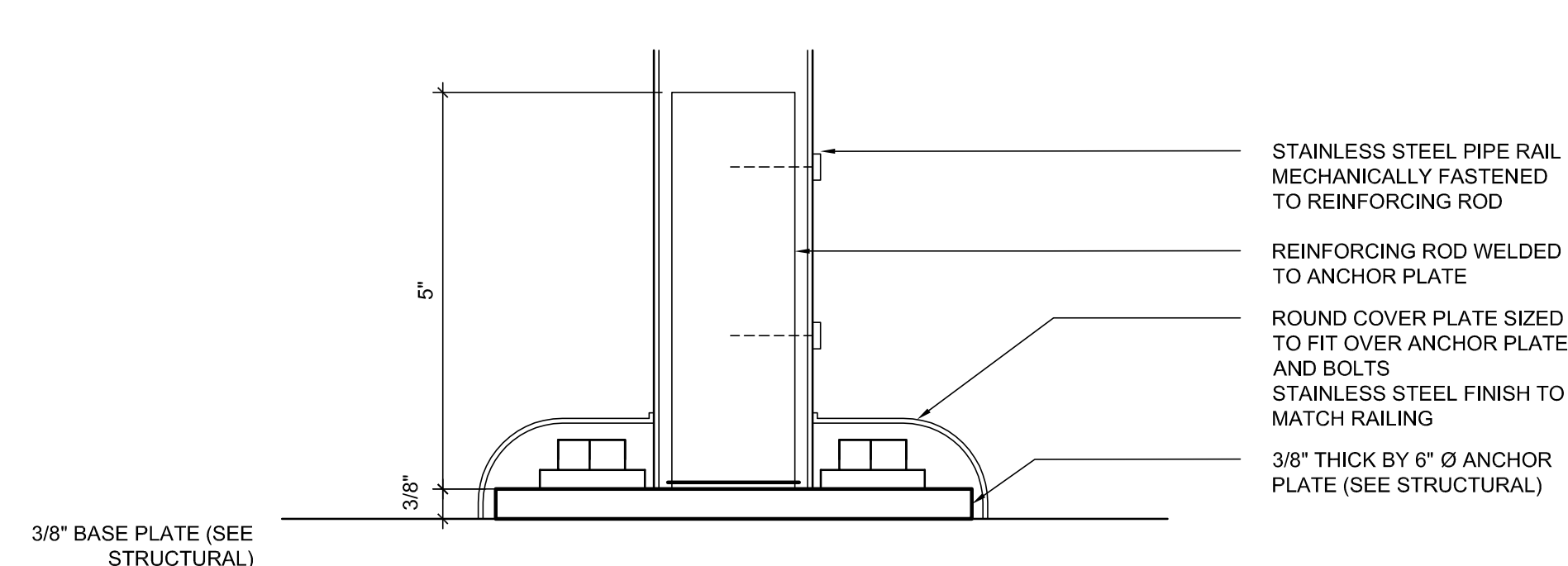
**3 MPR Fastener Layout**  
A4 Scale: 1" = 1'-0"



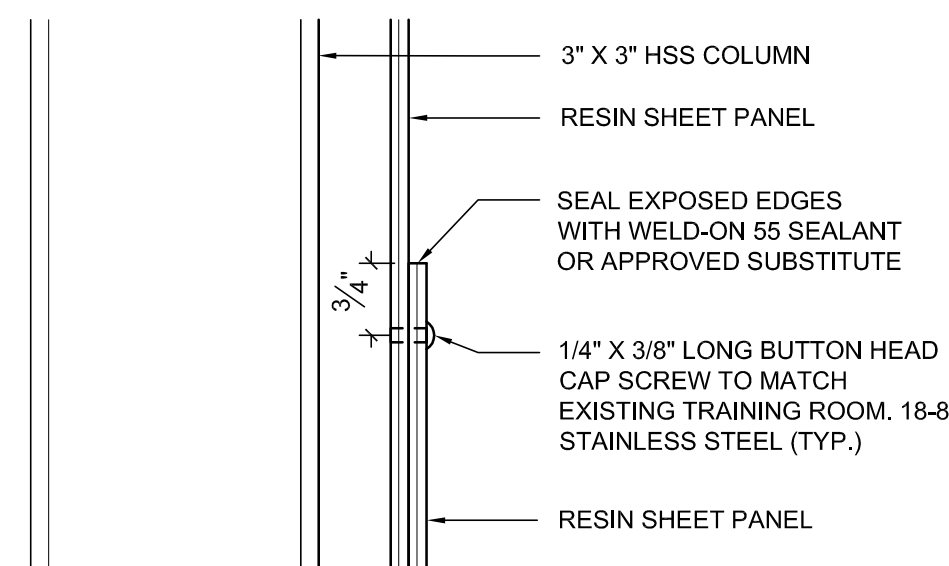
**4 Jamb Detail**  
A4 Scale: 6" = 1'-0"



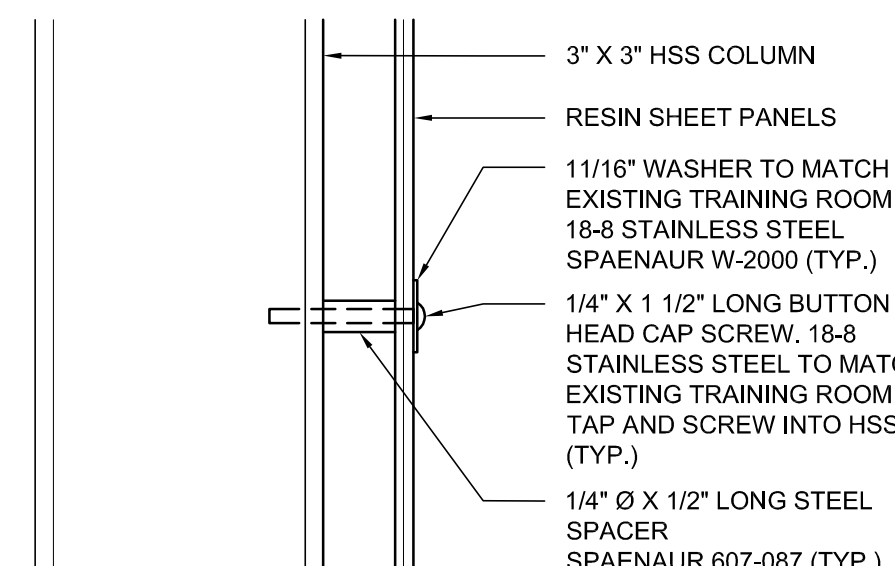
**5 Standoff Detail**  
A4 Scale: 6" = 1'-0"



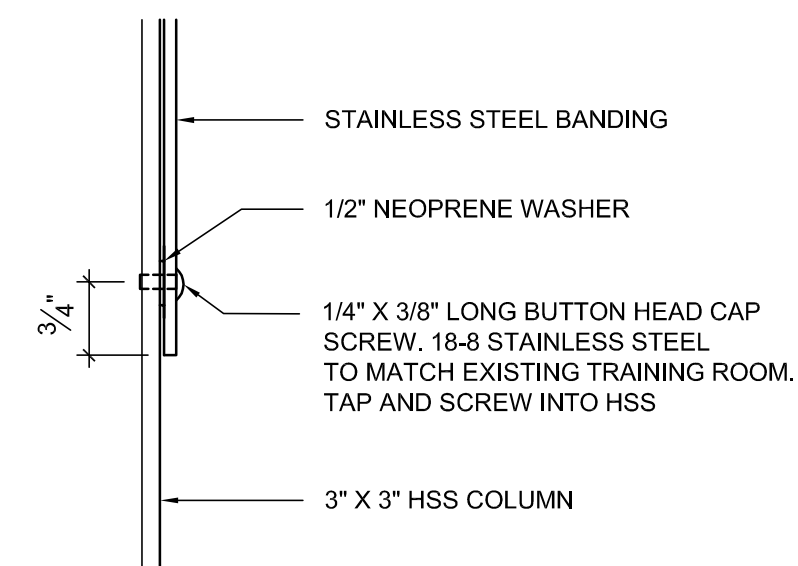
**6 Railing Base Section Detail**  
A4 Scale: 6" = 1'-0"



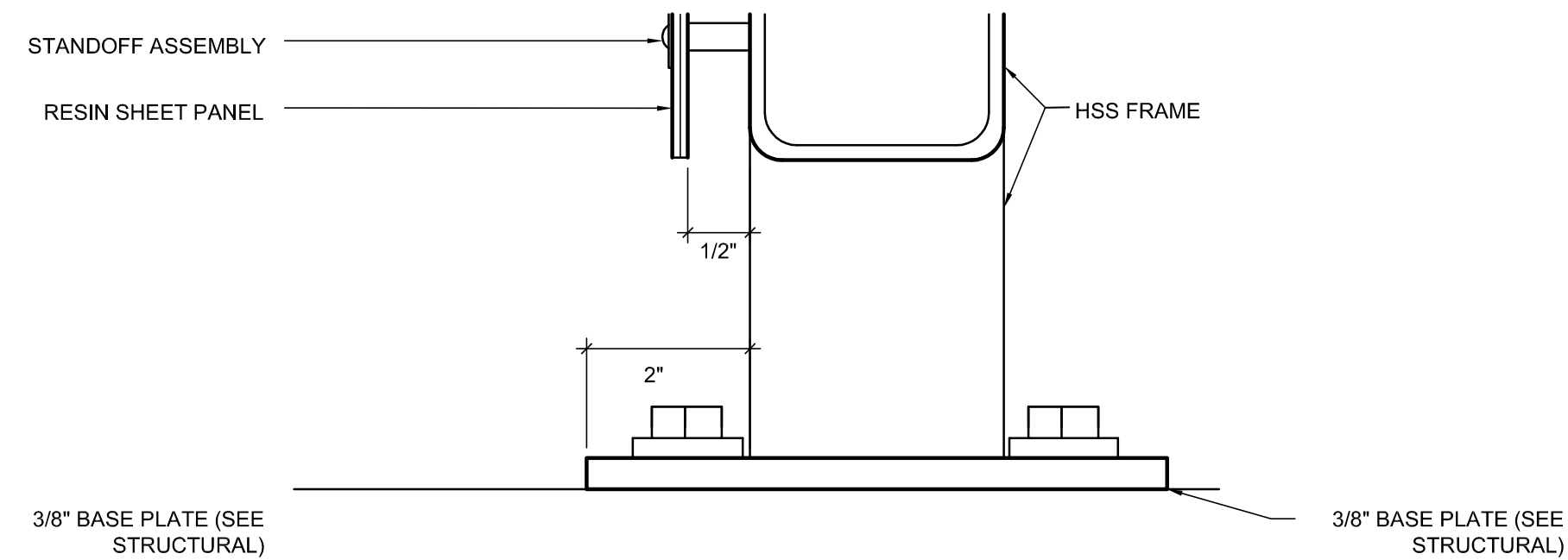
**7 Resin Sheet Panel Connection Detail**  
A4 Scale: 6" = 1'-0"



**8 Standoff Assembly Section Detail**  
A4 Scale: 6" = 1'-0"



**9 Stainless Steel Band Connection Detail**  
A4 Scale: 6" = 1'-0"



**10 Base Plate Section Detail**  
A4 Scale: 6" = 1'-0"

ISSUED FOR  
Tender August 14, 2006

SEAL

ARCHITECT / PRIME CONSULTANT  
**SYNYSHYN ARCHITECTURE**  
ARCHITECTURE PLANNING INTERIOR DESIGN  
INTERIOR DESIGN FACILITY MANAGEMENT PRESENTATIONS  
603-63 ALBERT STREET WINNIPEG MANITOBA CANADA R3B 1G4  
TELEPHONE 947-1100 FACSIMILE 956-5742

ENGINEERING CONSULTANT  
Lovergne, Draward & Associates Inc.  
402-136 Portage Avenue East  
Winnipeg, Manitoba R2C 0A1  
Tel: 204 947 2222 Fax: 204 947 2522  
E: ml@lovergne.com

**CITY OF WINNIPEG BID OPPORTUNITY #512-2006**

PROJECT TITLE  
**PAN AM POOL INTERIOR RENOVATION**  
25 POSEIDON BAY WINNIPEG, MB

DRAWING TITLE  
**SECTIONS & DETAILS**

DESIGNED BY JS/AD DRAWN BY AD

ISSUE DATE 07/31/06 REVISION No.

PROJECT No. 610 DRAWING No. **A-4**