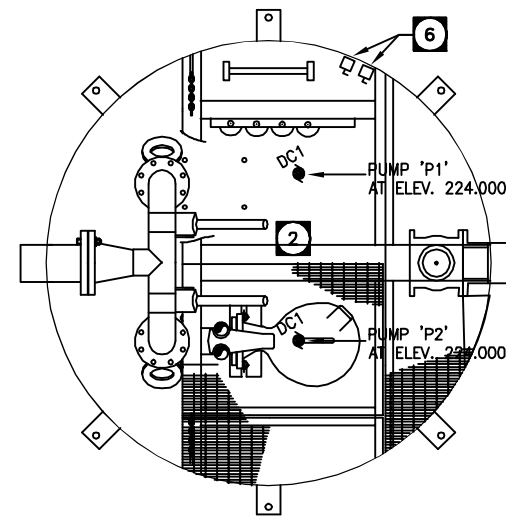
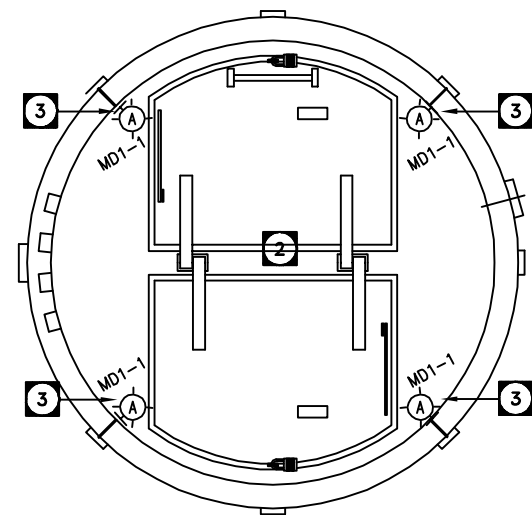


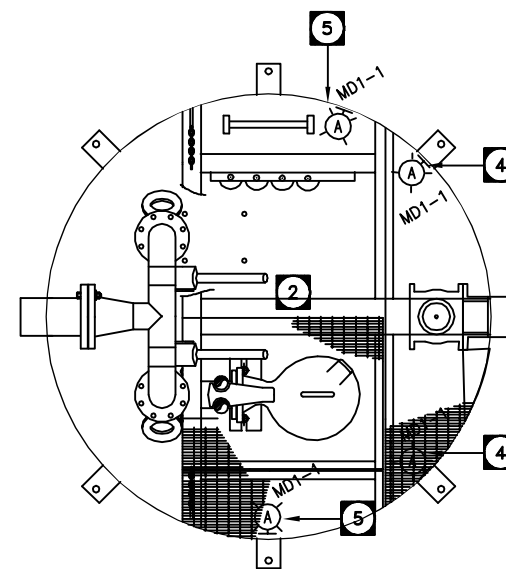
POWER AND SYSTEMS PLAN VIEW - ELEV. 233.000



POWER AND SYSTEMS PLAN VIEW - ELEV. 229.500



LIGHTING PLAN VIEW - ELEV. 233.000



LIGHTING PLAN VIEW - ELEV. 229.500

GENERAL NOTES

1. CONFIRM ALL ELECTRICAL REQUIREMENTS WITH ALL DRAWINGS AND SPECIFICATIONS. PROVIDE ALL ELECTRICAL CONNECTIONS AS SPECIFIED THEREIN.
2. THE BUILDING BASEPLAN AND LAYOUT SHOWN IS FOR REFERENCE ONLY. EXACT LAYOUT AND DIMENSIONS ARE TO BE OBTAINED FROM THE STATION DETAIL DRAWING SET.
3. WIRING AND INSTALLATION METHODS SHALL COMPLY WITH ALL CODES AND STANDARDS TO SUIT THE AREA CLASSIFICATION INDICATED.
4. THE EXTERIOR GRADE LEVEL ELEVATION IS 232.000 (UNITS IN METERS).

SPECIFIC NOTES

- 1 COMBINATION SERVICE ENTRANCE RATED WEATHERPROOF PANEL 'MD1' C/W METERING PROVISIONS. MOUNT PANEL ON 150mm H-CHANNEL SUPPORTS EMBEDDED IN CONCRETE.
- 2 THE PUMPING STATION IS CLASSIFIED AS A HAZARDOUS CLASS I DIV. 1 AREA.
- 3 PROVIDE LUMINAIRE WITHIN PUMPING STATION AT ELEVATION 232.000 (NEAR THE TOP ENTRANCE ELEVATION).
- 4 PROVIDE LUMINAIRE WITHIN PUMPING STATION AT ELEVATION 230.000 (ABOVE LANDING).
- 5 PROVIDE LUMINAIRE WITHIN PUMPING STATION AT ELEVATION 227.000 (BELOW LANDING).
- 6 PROVIDE CLASS I, DIV 1. STAINLESS STEEL, EXPLOSION PROOF LOCK-OFF DISCONNECT SWITCHES FOR PUMPS 'P1' AND 'P2'. EACH SWITCH SHALL BE EQUAL TO CUTLER-HAMMER, TYPE 'DS'. MOUNT AT ELEV. 229.000.
- 7 PROVIDE CLASS I, DIV 1. STAINLESS STEEL, EXPLOSION PROOF, SURFACE MOUNTED LUMINAIRE SWITCH FOR CONTROL OF LUMINAIRES. MOUNT AT ELEV. 232.000 (UNDER ACCESS HATCH).
- 8 PROVIDE CLASS I, DIV 1. STAINLESS STEEL, EXPLOSION PROOF, SURFACE MOUNTED, 2-SPEED (OFF/LOW/HI) MANUAL MOTOR STARTER FOR CONTROL OF EXHAUST FAN: EF-1. STARTER SHALL HAVE "LOCK OFF" CAPABILITY. MOUNT AT ELEV. 232.000 (UNDER ACCESS HATCH).
- 9 PROVIDE CLASS I, DIV. 1 SEALS AT THE CABLE ENTRY POINTS INTO THE EXTERIOR PANELS / ENCLOSURES FOR ALL CABLES WHICH ENTER THE LIFT STATION. TYPICAL.
- 10 PROVIDE ANTI-CONDENSATION HEATER IN CONTROL CABINET ON ELECTRICAL CIRCUIT MD1-5.
- 11 REFER TO THE SITE PLAN ON DRAWING E1 FOR THE APPROXIMATE LOCATION.



B.M. ELEV.	FIELD BOOK #	CITY OF WINNIPEG WATER AND WASTE ENGINEERING DIVISION		ENGINEER'S SEAL	THE CITY OF WINNIPEG WATER AND WASTE DEPARTMENT 2006 CRESCENT DRIVE & IRVING PLACE WASTEWATER SEWER AND PUMPING STATION INSTALLATIONS LIGHTING, POWER AND SYSTEMS PLAN	SHEET 13 OF 15 CITY DRAWING NUMBER 05921
POSTED TO LBS		DESIGNED BY: DEB	CHECKED BY: EMR	ORIGINAL SIGNED E.M.RYCZKOWSKI 09/22/05		
		DRAWN BY: DEB	APPROVED BY: EMR			
2 ISSUED FOR TENDER	09/22/05	EMR				
1 ISSUED FOR OWNER REVIEW	09/14/05	EMR				
NO. REVISIONS	DATE	BY	DATE	2006 08 03	DATE	
				HOR. SCALE: AS SHOWN	RELEASED FOR CONSTRUCTION	
					BID OPPORTUNITY: 509-2006	
					FILENAME: 05921.dwg	
					PLOT DATE: 2006 08 03	