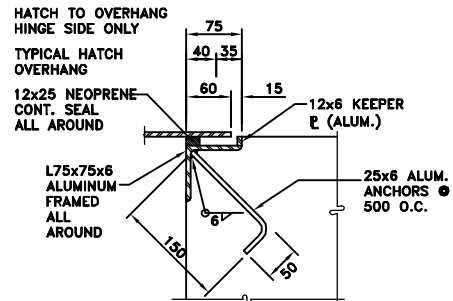
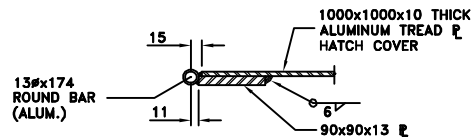


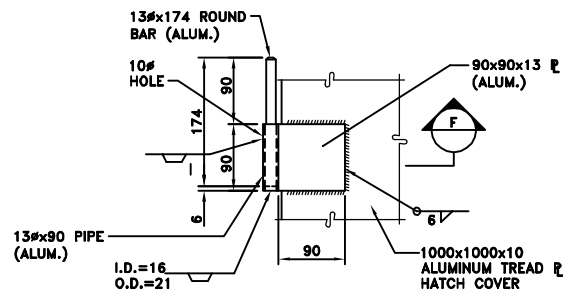
E SECTION
1:5



B HATCH SUPPORT SECTION
1:5

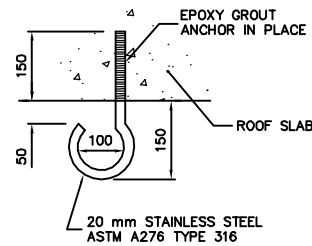


F SECTION
1:5

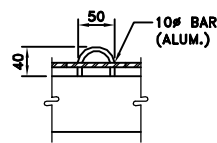


NOTE: HINGE VIEW FROM BELOW

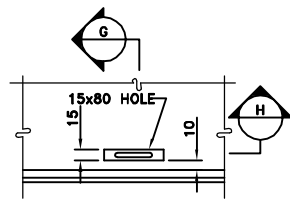
2 DETAIL
1:5



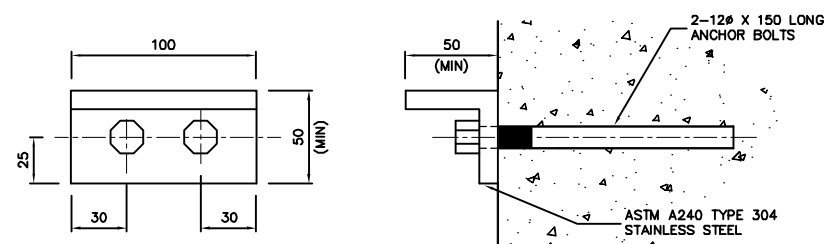
CHAIN HOOK DETAIL
SCALE 1:10



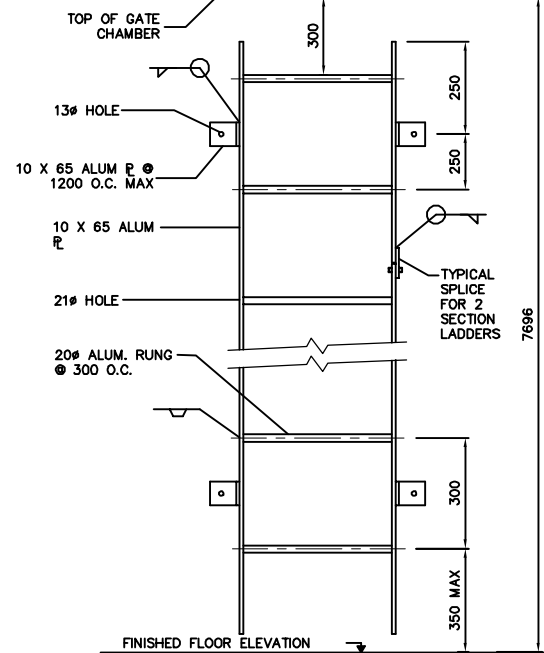
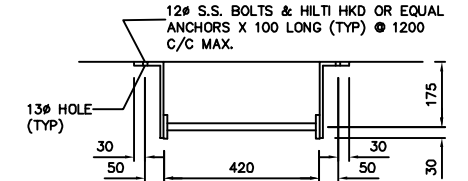
H SECTION
1:5



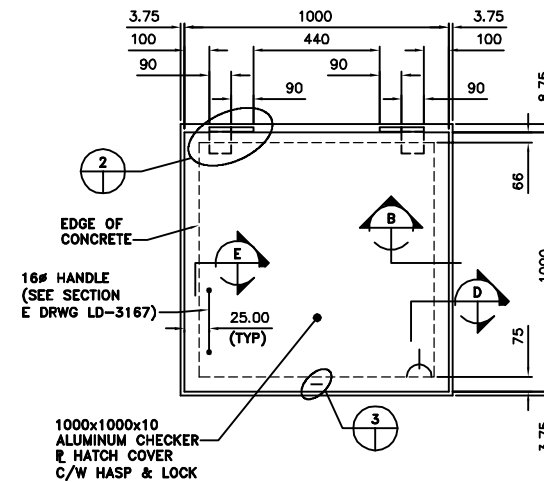
3 HATCH LOCK HASP PLAN
1:5



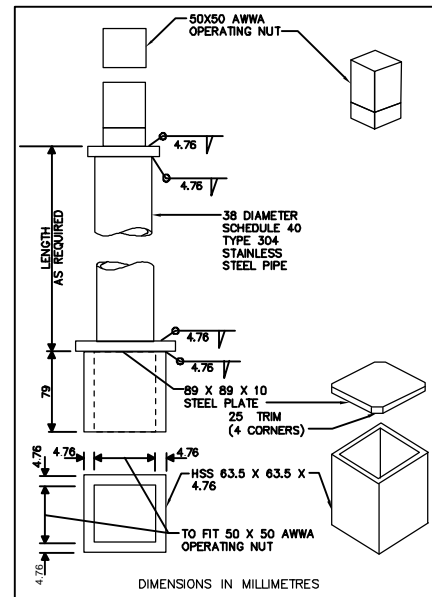
PLATFORM SUPPORT DETAIL
SCALE 1:2



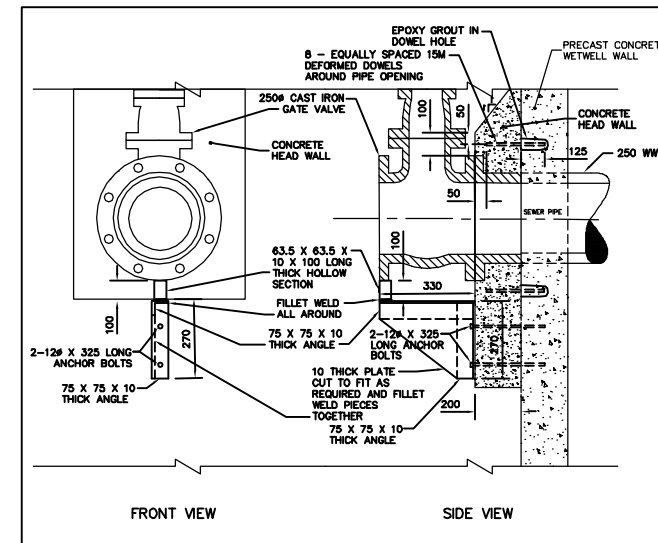
LADDER DETAIL
SCALE 1:10



1 DETAIL
1:15



VALVE STEM EXTENSION
SCALE N.T.S.



VALVE SUPPORT DETAIL
SCALE N.T.S.

WARNING
IF POWER EQUIPMENT OR EXPLOSIVES ARE TO BE USED FOR EXCAVATION ON THIS PROJECT THE CONTRACTOR MUST:
1) NOTIFY THE GAS COMPANY OF THE PROPOSED LOCATION OF EXCAVATION.
2) TAKE PRECAUTION TO AVOID DAMAGE TO GAS COMPANY INSTALLATIONS.
SEE PROVINCIAL REGULATION 210/72 FOR DETAILS

METRIC
WHOLE NUMBERS INDICATE MILLIMETRES
DECIMALIZED NUMBERS INDICATE METRES

B.M. ELEV.	FIELD BOOK #:	CITY OF WINNIPEG WATER AND WASTE ENGINEERING DIVISION		ENGINEER'S SEAL
POSTED TO LBS		DESIGNED BY DB	CHECKED BY TW	ORIGINAL SIGNED BY K.R. ZUREK 06/08/04
		DRAWN BY CJH	APPROVED BY KZ	
		HOR. SCALE AS SHOWN	RELEASED FOR CONSTRUCTION	2006 CRESCENT DRIVE & IRVING PLACE WASTEWATER SEWER AND PUMPING STATION INSTALLATIONS WASTEWATER PUMPING STATION PRE-CAST CONCRETE OPTION MISCELLANEOUS DETAILS
NO. REVISIONS	DATE BY	DATE 2006 08 03	DATE	

THE CITY OF WINNIPEG WATER AND WASTE DEPARTMENT 2006 CRESCENT DRIVE & IRVING PLACE WASTEWATER SEWER AND PUMPING STATION INSTALLATIONS WASTEWATER PUMPING STATION PRE-CAST CONCRETE OPTION MISCELLANEOUS DETAILS		SHEET 10 OF 15 CITY DRAWING NUMBER 05918
---	--	---

BID OPPORTUNITY: 509-2006 FILENAME: 05918.dwg PLOT DATE: 2006 08 03
