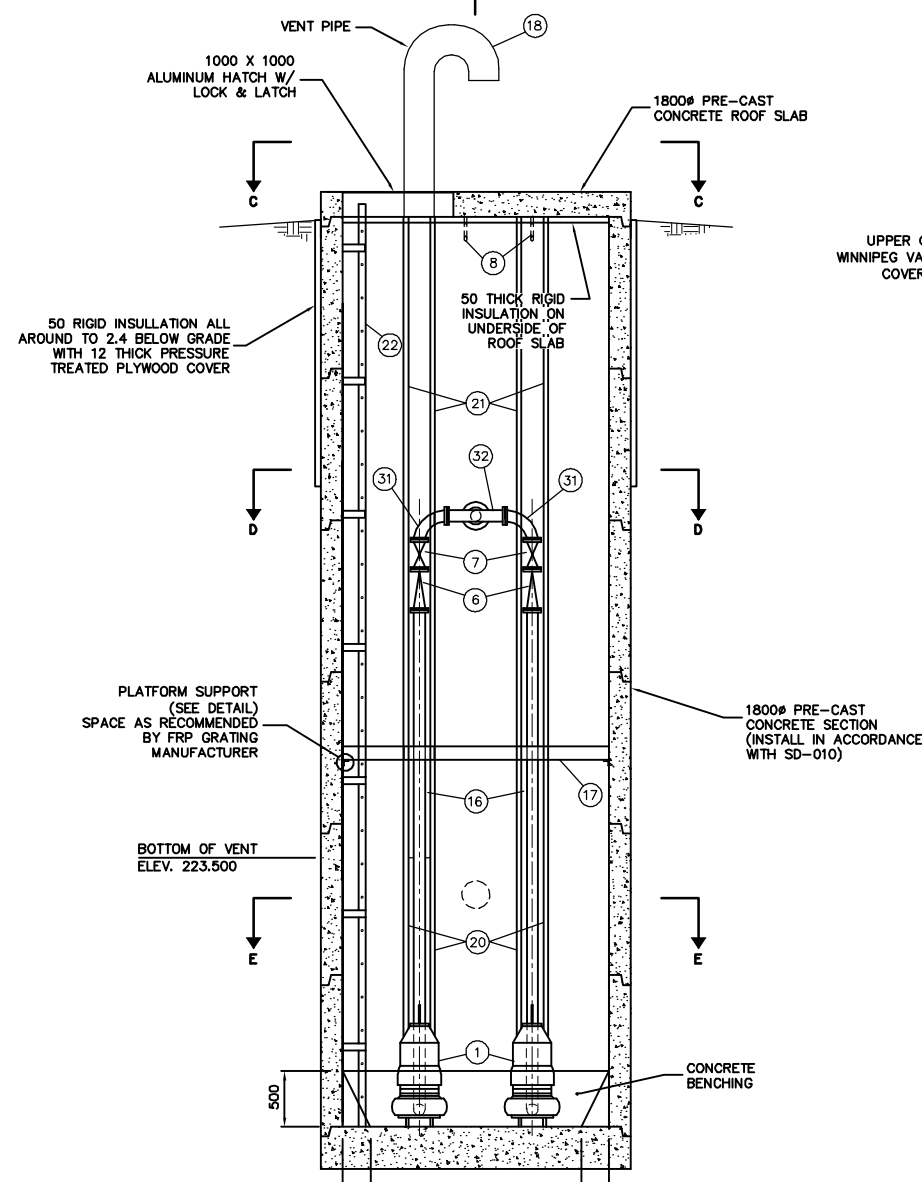
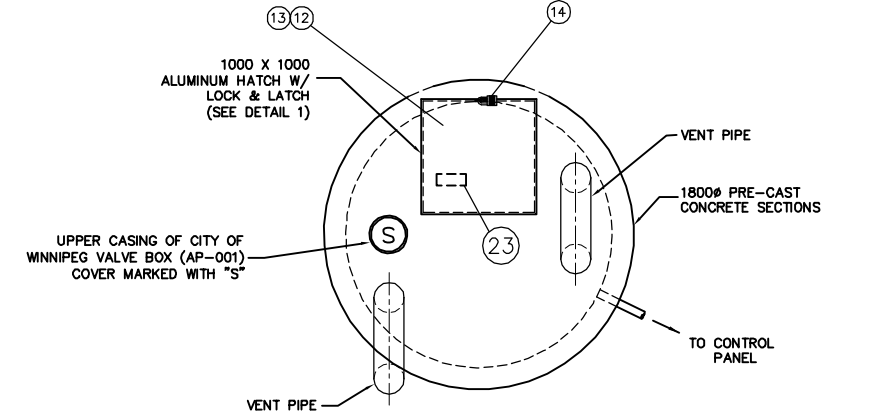


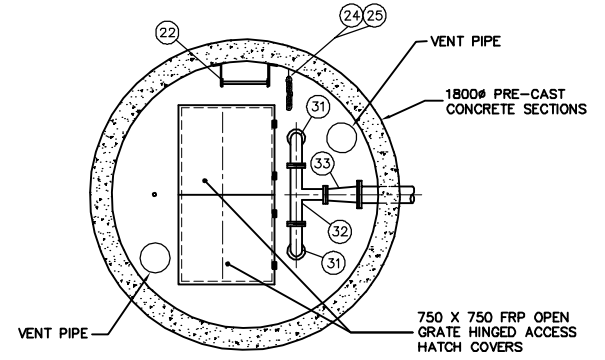
SECTION A-A
SCALE 1:30



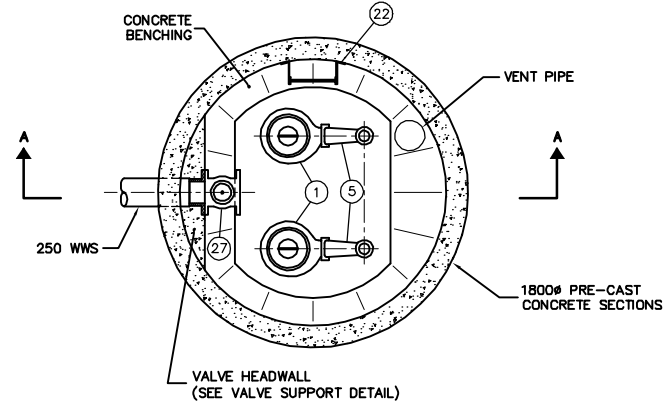
SECTION B-B
SCALE 1:30



TOP OF STATION SECTION C-C
SCALE 1:30



INTERMEDIATE PLATFORM SECTION D-D
SCALE 1:30



STATION BOTTOM SECTION E-E
SCALE 1:30

ITEM	DESCRIPTION	ENDS	QUANTITY
1	SUBMERSIBLE PUMP	-	2
2	PUMP CABLE	-	2
3	PUMP LIFTING CHAIN	-	2
4	CHAIN CONNECTOR ASSEMBLY	-	2
5	100# DISCHARGE BASE ELBOW	-	2
6	100# CHECK VALVE	FL X FL	2
7	100# GATE VALVE	FL X FL	2
8	CHAIN HOOK (SEE DETAIL)	-	2
9	LEVEL REGULATOR ENH-10	-	4
10	LEVEL REGULATOR HANGER	-	1
11	UPPER GUIDE BAR HOLDER	-	2
12	COVER STAY	-	2
13	OPEN POSITION LOCKING DEVICE	-	2
14	PADLOCK	-	1
15	INTERMEDIATE GUIDE BAR HOLDER	-	2
16	-	-	-
17	FRP OPEN GRATING INTERMEDIATE PLATFORM	-	1
18	150# SCH 40 GALVANIZED STEEL VENT PIPE WITH 180' RETURN	-	2
19	100# DI PIPE	PE X FL	2
20	GUIDE BAR 50# SCH. 40 GALVANIZED (LOWER)	-	4
21	GUIDE BAR 50# SCH. 40 GALVANIZED (UPPER)	-	4
22	ALUMINUM LADDER	-	1
23	GAS WARNING LABEL	-	1
24	GALVANIZED SAFETY CHAIN 10#	-	1
25	SHACKLE	-	1
26	VALVE STEM EXTENSION	-	1
27	250# CI INLET GATE VALVE W/RISING STEM	FL X FL	1
28	1800# ID PRE-CAST CONCRETE SHELL	-	1
29	150# ZINC COATED 24 G# SPIRAL VENT PIPING	-	2
30	100# UNI-FLANGE	-	2
31	100# ELBOW	FL X FL	2
32	100# X 100# X 100# TEE	-	1
33	150# X 100# REDUCER	FL X FL	1
34	100# REMOVABLE FLANGE	-	4

METRIC
WHOLE NUMBERS INDICATE MILLIMETRES
DECIMALIZED NUMBERS INDICATE METRES

WARNING
IF POWER EQUIPMENT OR EXPLOSIVES ARE TO BE USED FOR EXCAVATION ON THIS PROJECT THE CONTRACTOR MUST:
1) NOTIFY THE GAS COMPANY OF THE PROPOSED LOCATION OF EXCAVATION.
2) TAKE PRECAUTION TO AVOID DAMAGE TO GAS COMPANY INSTALLATIONS.
SEE PROVINCIAL REGULATION 210/72 FOR DETAILS

B.M. ELEV.	FIELD BOOK #:	CITY OF WINNIPEG WATER AND WASTE ENGINEERING DIVISION	ENGINEER'S SEAL	THE CITY OF WINNIPEG WATER AND WASTE DEPARTMENT
POSTED TO LBS			ORIGINAL SIGNED BY K.R. ZUREK 06/08/04	
		DESIGNED BY DB	CHECKED BY TW	2006 IRVING PLACE WASTEWATER SEWER AND PUMPING STATION INSTALLATION WASTEWATER PUMPING STATION PRE-CAST CONCRETE OPTION PLANS AND SECTIONS
		DRAWN BY CJH	APPROVED BY KZ	
		HOR. SCALE AS SHOWN	RELEASED FOR CONSTRUCTION	SHEET 9 OF 15 CITY DRAWING NUMBER 05917
NO. REVISIONS	DATE BY	DATE 2005 09 29	DATE	

BID OPPORTUNITY: 509-2006
FILENAME: 05917.dwg
PLOT DATE: 2005 09 29