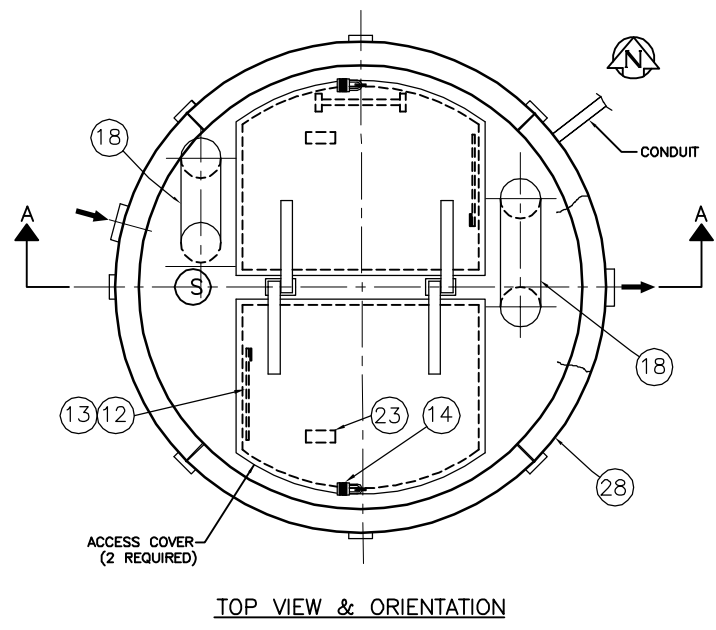


ITEM	DESCRIPTION	ENDS	QUANTITY
1	SUBMERSIBLE PUMP	-	2
2	PUMP CABLE	-	2
3	PUMP LIFTING CHAIN	-	2
4	CHAIN CONNECTOR ASSEMBLY	-	2
5	100# DISCHARGE BASE ELBOW	-	2
6	100# CHECK VALVE	FL X FL	2
7	100# GATE VALVE	FL X FL	2
8	CHAIN HOOK	-	2
9	LEVEL REGULATOR ENH-10	-	4
10	LEVEL REGULATOR HANGER	-	1
11	UPPER GUIDE BAR HOLDER	-	2
12	COVER STAY	-	2
13	OPEN POSITION LOCKING DEVICE	-	2
14	PADLOCK (1 FOR CONTROL PANEL)	-	3
15	INTERMEDIATE GUIDE BAR HOLDER	-	2
16	-	-	-
17	INTERMEDIATE PLATFORM	FL X FL	1
18	150# SCH 40 GALVANIZED STEEL VENT PIPE WITH 180° RETURN	-	2
19	100# DI PIPING	FL X PE	2
20	GUIDE BAR 50# SCH. 40 GALVANIZED (LOWER)	-	4
21	GUIDE BAR 50# SCH. 40 GALVANIZED (UPPER)	-	4
22	ALUMINUM LADDER	-	1
23	GAS WARNING LABEL	-	2
24	GALVANIZED SAFETY CHAIN 10#	-	1
25	SHACKLE	-	1
26	VALVE STEM EXTENSION	-	1
27	250# CI INLET GATE VALVE W/RISING STEM	FL X FL	1
28	1800# ID FRP SHELL	-	1
29	150# ZINC COATED 24 Gs SPIRAL VENT PIPING	-	1
30	150# UNIFLANGE	-	1
31	100# ELBOW	FL X PE	2
32	100# X 100# X 100# DI TEE	PE X PE	1
33	150# X 100# DI REDUCER	PE X FL	1
34	100# REMOVABLE FLANGE	-	4

ITEMS MARKED \* WILL BE PROVIDED BY CITY  
 ITEMS MARKED \*\* TO BE RE-USED FROM EXISTING PUMPING STATION



- NOTE:
- HINGES FOR ACCESS HATCHES AND HASPS TO BE TYPE 316 STAINLESS STEEL.
  - ALL NUTS AND BOLTS TO BE IN TYPE 316 STAINLESS STEEL.

**METRIC**  
 WHOLE NUMBERS INDICATE MILLIMETRES  
 DECIMALIZED NUMBERS INDICATE METRES

**WARNING**  
 IF POWER EQUIPMENT OR EXPLOSIVES ARE TO BE USED FOR EXCAVATION ON THIS PROJECT THE CONTRACTOR MUST:  
 1) NOTIFY THE GAS COMPANY OF THE PROPOSED LOCATION OF EXCAVATION.  
 2) TAKE PRECAUTION TO AVOID DAMAGE TO GAS COMPANY INSTALLATIONS.  
 SEE PROVINCIAL REGULATION 210/72 FOR DETAILS

B.M. ELEV.	FIELD BOOK #:	<b>CITY OF WINNIPEG WATER AND WASTE ENGINEERING DIVISION</b>		ENGINEER'S SEAL	<b>THE CITY OF WINNIPEG WATER AND WASTE DEPARTMENT</b>
POSTED TO LBIS		DESIGNED BY DB	CHECKED BY TW	ORIGINAL SIGNED BY K.R. ZUREK 06/08/04	
		DRAWN BY CJH	APPROVED BY KZ		2006 IRVING PLACE WASTEWATER SEWER AND PUMPING STATION INSTALLATION
		HOR. SCALE AS SHOWN	RELEASED FOR CONSTRUCTION		WASTEWATER PUMPING STATION
		NO. REVISIONS	DATE	DATE 2006 08 03	FIBREGLASS REINFORCED PLASTIC OPTION
					PLANS AND SECTIONS
					SHEET 8 OF 15
					CITY DRAWING NUMBER 05916