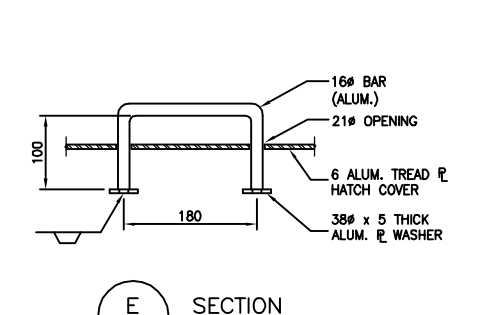
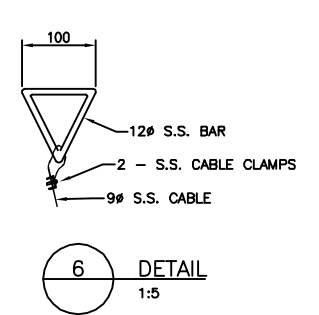


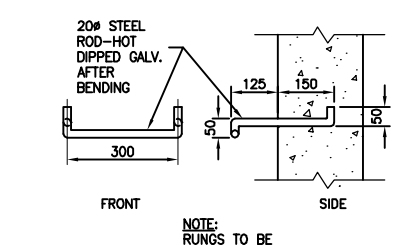
A HATCH COVER BOLT DOWN SECTION
1:5



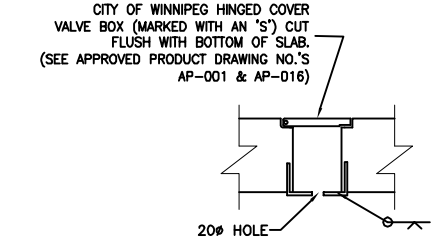
E SECTION
1:5



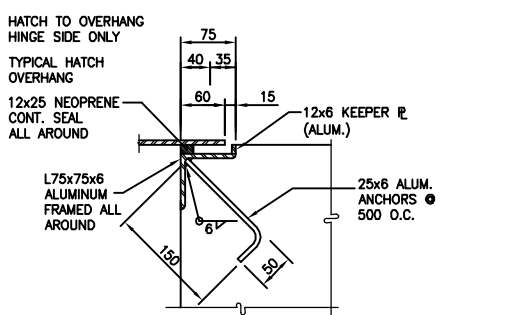
6 DETAIL
1:5



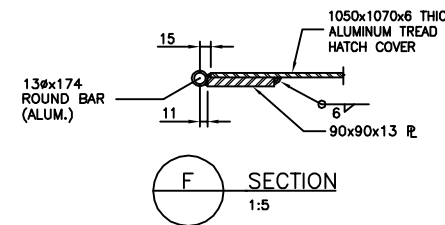
8 TYPICAL LADDER RUNG DETAIL
1:10



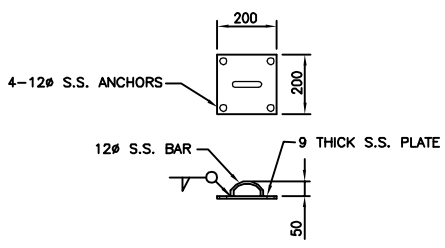
9 DETAIL
1:5



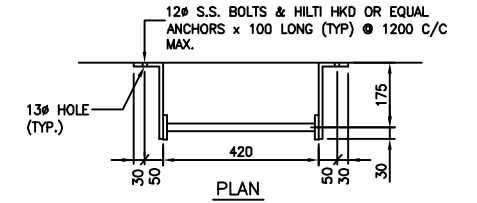
B HATCH SUPPORT SECTION
1:5



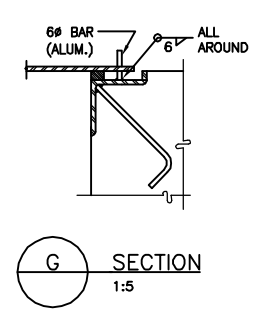
F SECTION
1:5



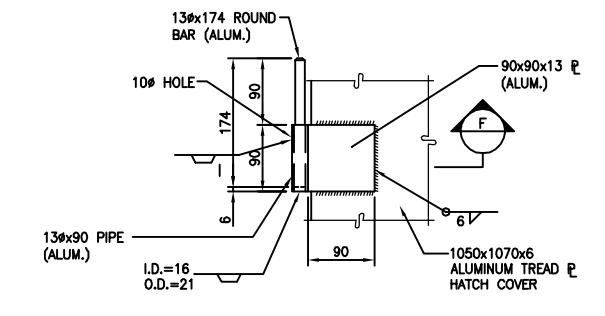
7 LIFTING CABLE GUIDE DETAIL
NTS



9 PLAN

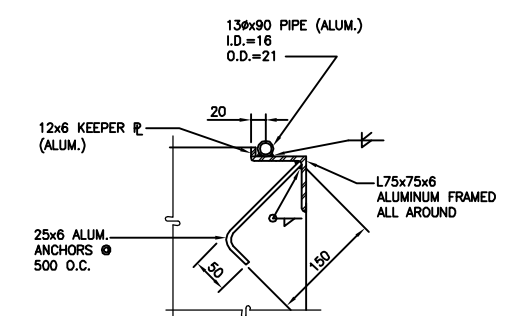


G SECTION
1:5



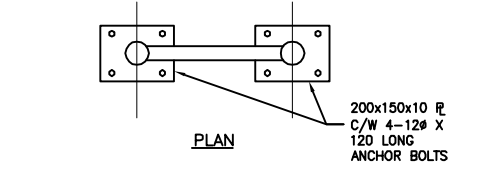
NOTE: HINGE VIEW FROM BELOW

1 DETAIL
1:5

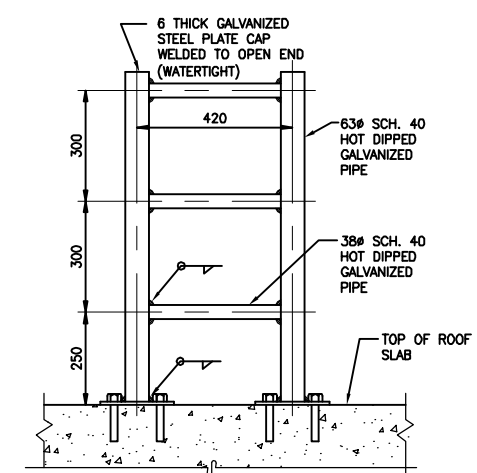


NOTE: DISCONTINUE NEOPRENE SEAL AT HINGE LOCATION

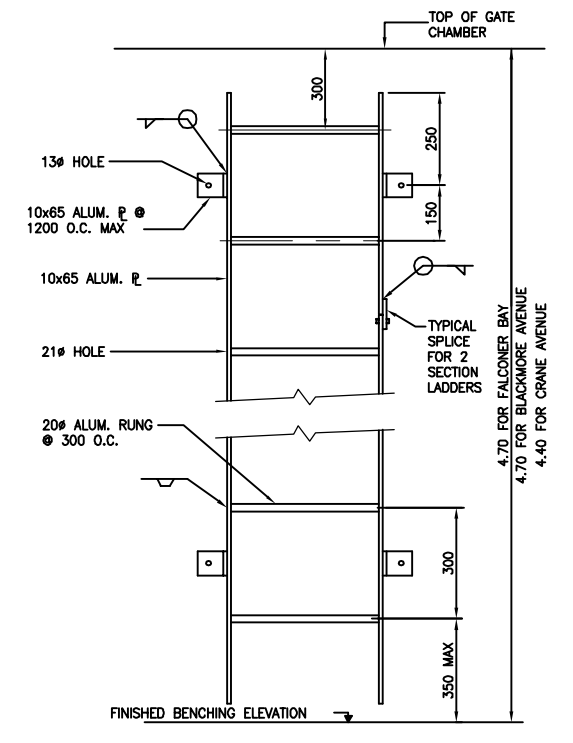
C SECTION
1:5



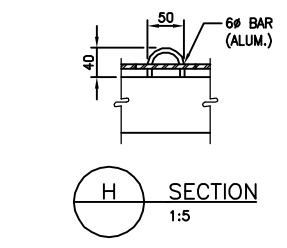
3 PLAN



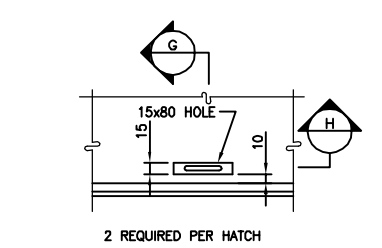
3 ELEVATION
HAND HOLD DETAIL
1:10



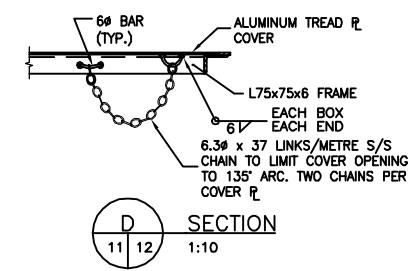
4 ELEVATION
LADDER DETAIL
1:10



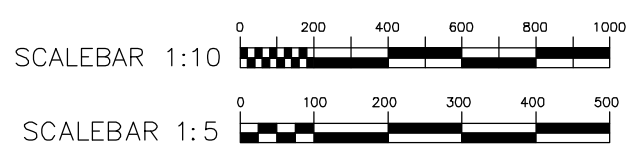
H SECTION
1:5



2 HATCH LOCK HASP PLAN
1:5



D SECTION
1:10



NOTE: ALL NUTS, BOLTS AND FASTENERS TO BE TYPE 316 STAINLESS STEEL

METRIC
WHOLE NUMBERS INDICATE MILLIMETRES
DECIMALIZED NUMBERS INDICATE METRES

B.M. ELEV.	FIELD BOOK #:	CITY OF WINNIPEG WATER AND WASTE ENGINEERING DIVISION		ENGINEER'S SEAL	THE CITY OF WINNIPEG WATER AND WASTE DEPARTMENT
POSTED TO LBS		DESIGNED BY: DCS	CHECKED BY: TW	ORIGINAL SIGNED BY: K.R. ZUREK 06/07/28	
		DRAWN BY: PB	APPROVED BY: KZ		2006 OUTFALL GATE CHAMBER CONSTRUCTION
		HOR. SCALE: AS SHOWN	RELEASED FOR CONSTRUCTION		BLACKMORE AVE, FALCONER BAY AND CRANE AVE GATE CHAMBERS
NO. REVISIONS	DATE	BY	DATE: 2006 07 27	BID OPPORTUNITY: 505-2006 FILENAME: LD-3190.dwg PLOT DATE: 2006 07 27	MISCELLANEOUS DETAILS
					SHEET 12 OF 12 CITY DRAWING NUMBER LD-3190