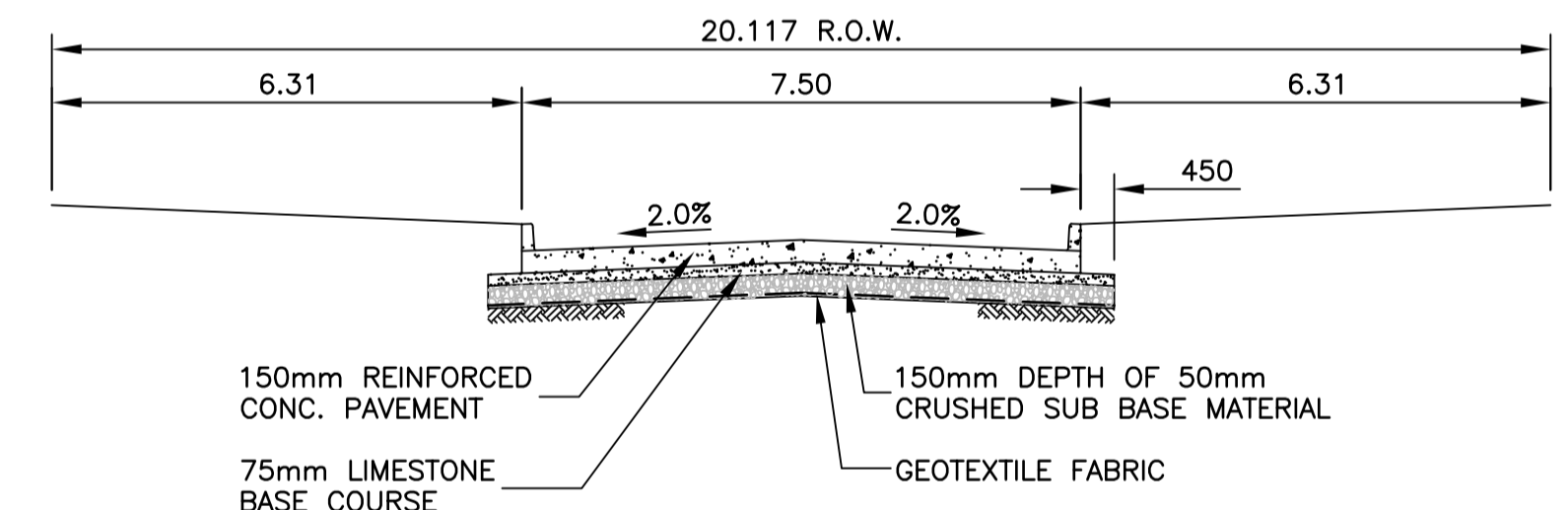
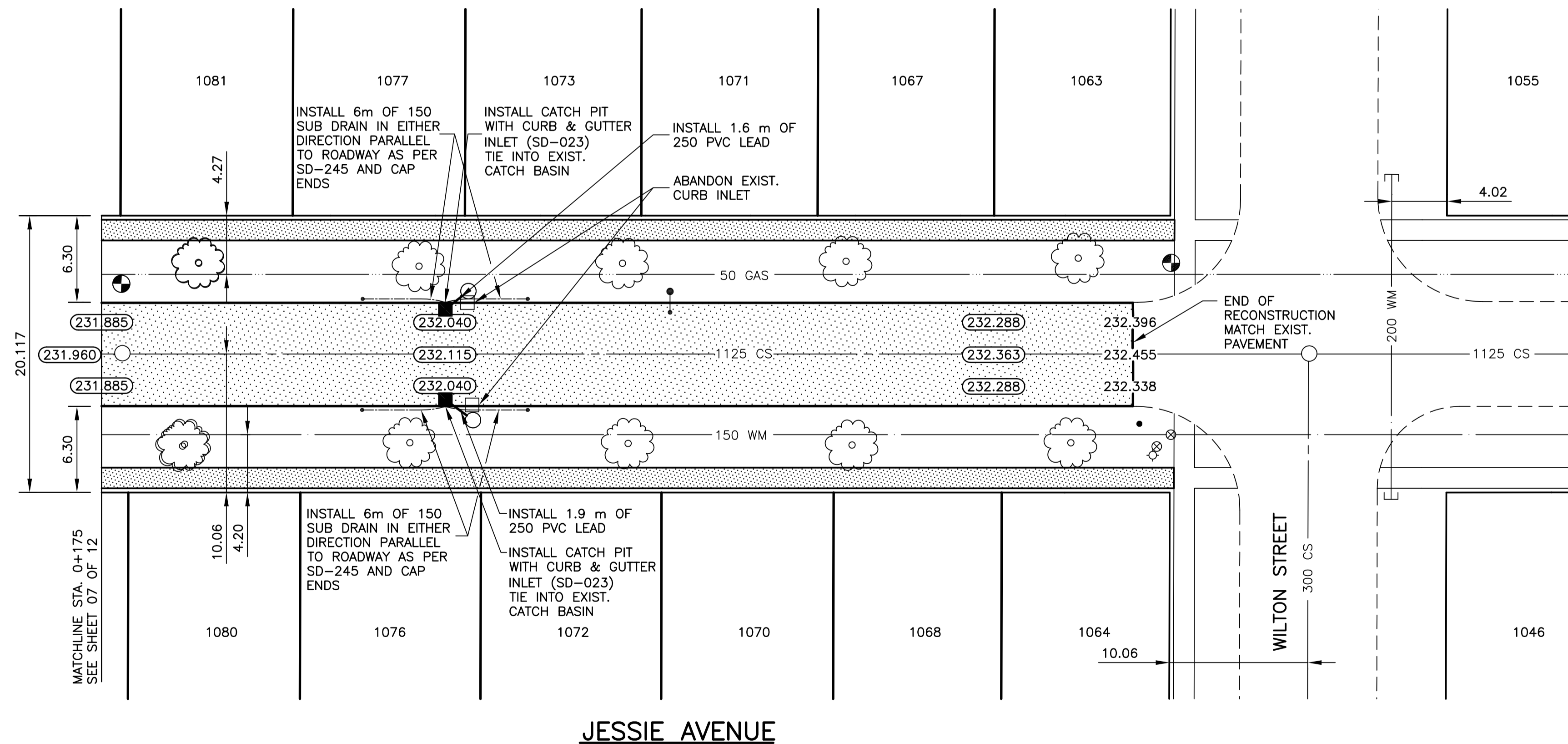


L = 160m W = 7.5m A = 1200m<sup>2</sup>  
TYPE - ASPHALT RECONSTRUCTION

**CONSTRUCTION NOTES:**

- CONTRACTOR SHALL TAKE PRECAUTIONARY STEPS TO AVOID DAMAGE FROM CONSTRUCTION ACTIVITIES TO EXISTING BOULEVARDS AND TREES WITHIN THE LIMITS OF CONSTRUCTION.
- LOCATION OF EXISTING SERVICES ARE TO BE CONFIRMED IN THE FIELD BY THE CONTRACTOR.
- TIE-INS TO BE VERIFIED IN THE FIELD BY THE CONTRACT ADMINISTRATOR.
- ALL SIDEWALK TO BE RENEWED.
- BOULEVARD REPLACEMENT TO BE FINALIZED IN THE FIELD AS DIRECTED BY THE CONTRACT ADMINISTRATOR.
- 300mm SUB BASE TO BE ADDED WHERE OVER EXCAVATION IS REQUIRED AS DIRECTED IN THE FIELD BY THE CONTRACT ADMINISTRATOR.
- SUBDRAINS SHALL BE INSTALLED AS PER SD-245.



**TYPICAL CROSS SECTION**  
N.T.S.

**METRIC**  
WHOLE NUMBERS INDICATE MILLIMETRES  
DECIMALIZED NUMBERS INDICATE METRES

**WARNING**

- IF POWER EQUIPMENT OR EXPLOSIVES ARE TO BE USED FOR EXCAVATION ON THIS PROJECT THE CONTRACTOR MUST:
- NOTIFY THE GAS COMPANY OF THE PROPOSED LOCATION OF EXCAVATION.
  - TAKE PRECAUTION TO AVOID DAMAGE TO GAS COMPANY INSTALLATIONS SEE PROVINCIAL REGULATION 210/72 FOR DETAILS

150 mm W.M.	WATERMAIN	150 mm W.M.	HYDRO	150 mm W.M.	WATERMAIN	150 mm W.M.
Hydrant	HYDRANT	Valve	M.T.S.	Hydrant	HYDRANT	Valve
300 mm L.O.S.	LAND DRAINAGE SEWER	300 mm L.O.S.	CONCRETE	300 mm L.O.S.	LAND DRAINAGE SEWER	300 mm L.O.S.
250 mm W.W.S.	WASTE WATER SEWER	250 mm W.W.S.	ASPHALT	250 mm W.W.S.	WASTE WATER SEWER	250 mm W.W.S.
Manhole	MANHOLE	Manhole	PLANING	Manhole	MANHOLE	Manhole
Catch Basin	CATCH BASIN	Catch Basin	PAVING STONES	Catch Basin	CATCH BASIN	Catch Basin
Curb Inlet	CURB INLET	Curb Inlet	PARTIAL DEPTH REPAIR	Curb Inlet	CURB INLET	Curb Inlet
Junctions	JUNCTIONS	Junctions	PROPERTY LINE	Junctions	JUNCTIONS	Junctions
Culvert	CULVERT	Culvert	SURVEY BAR	Culvert	CULVERT	Culvert
Gas	GAS	Gas	PARAPLEGIC RAMP	Gas	GAS	Gas
EXISTING	LEGEND-PLAN	PROPOSED	EXISTING	LEGEND-PLAN	PROPOSED	EXISTING
EXISTING	LEGEND-PROFILE	PROPOSED	EXISTING	LEGEND-PROFILE	PROPOSED	EXISTING

**UNDERGROUND STRUCTURES**  
B.M. 52-029  
ELEV. 231.848  
DESIGNED BY T. PETERS  
DRAWN BY J. MORRIS  
CHECKED BY D. KRAHN  
APPROVED BY ORIGINAL SIGNED BY D. KRAHN, P.Eng.  
HOR. SCALE 1:250  
VERTICAL 1:10  
RELEASED FOR CONSTRUCTION  
ORIGINAL SIGNED BY KEN TURKO, C.E.T.  
DATE APRIL 12, 2006

NO.	REVISIONS	DATE	BY
2	ISSUED FOR TENDER	04/12/06	T.J.P.
1	ISSUED FOR REVIEW	01/31/05	T.J.P.

NOTE:  
LOCATION OF UNDERGROUND STRUCTURES AS SHOWN ARE BASED ON THE BEST INFORMATION AVAILABLE. BUT NO GUARANTEE IS GIVEN THAT ALL EXISTING UTILITIES ARE SHOWN OR THAT THE GIVEN LOCATIONS ARE EXACT. CONFIRMATION OF EXISTENCE AND EXACT LOCATION OF ALL SERVICES MUST BE OBTAINED FROM THE INDIVIDUAL UTILITIES BEFORE PROCEEDING WITH CONSTRUCTION.

**DILLON CONSULTING**

ENGINEER'S SEAL  
PROVINCE OF MANITOBA  
ORIGINAL STAMPED BY  
T.J. PETERS  
04/12/06  
REGISTERED PROFESSIONAL ENGINEER

**THE CITY OF WINNIPEG**  
PUBLIC WORKS DEPARTMENT  
2006 RESIDENTIAL STREET RENEWAL PROGRAM  
**JESSIE AVENUE**  
ROCKWOOD ST. TO WILTON ST.  
STA. 0+175 TO WILTON ST.

CITY DRAWING NUMBER  
SHEET 08 OF 12

CONSULTANT PROJECT NO.  
05-5439-2000