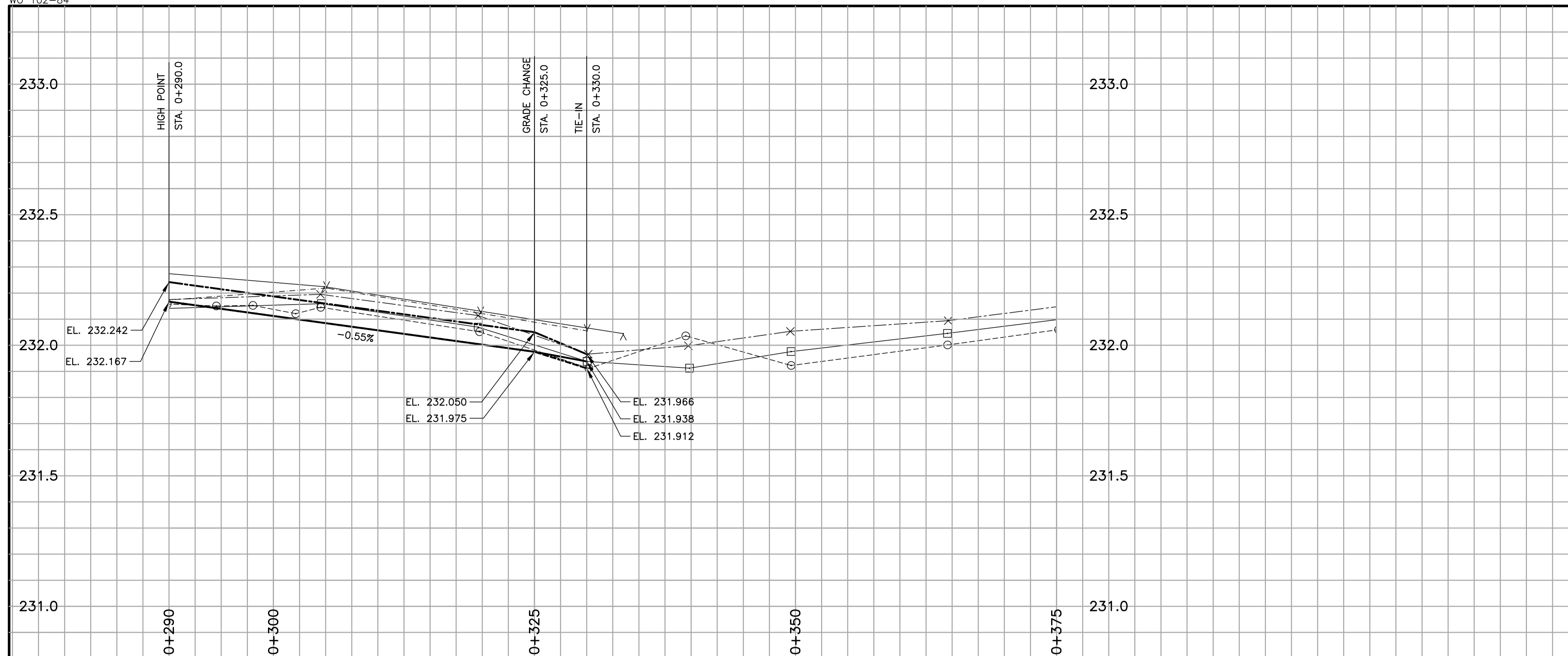
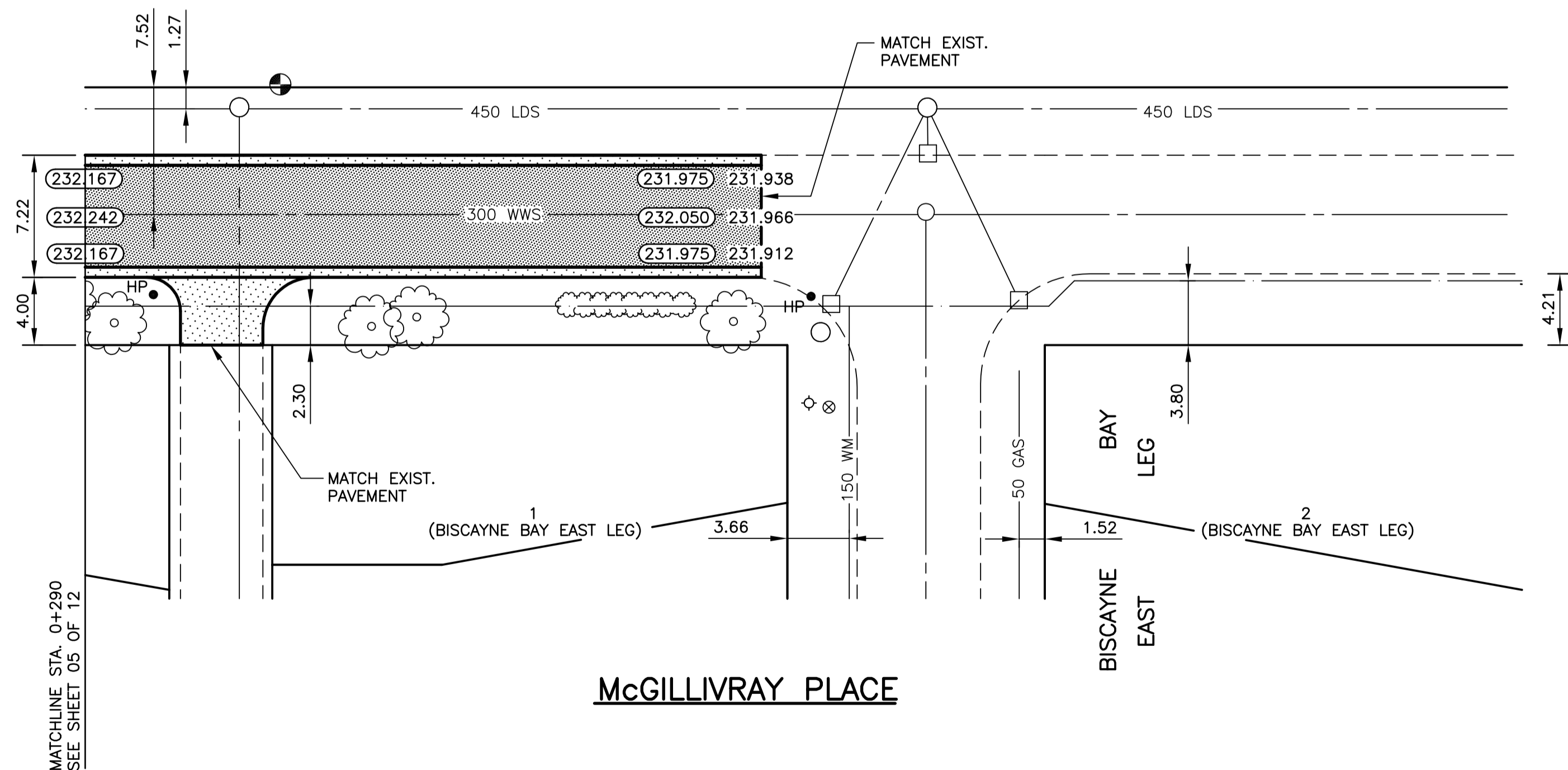
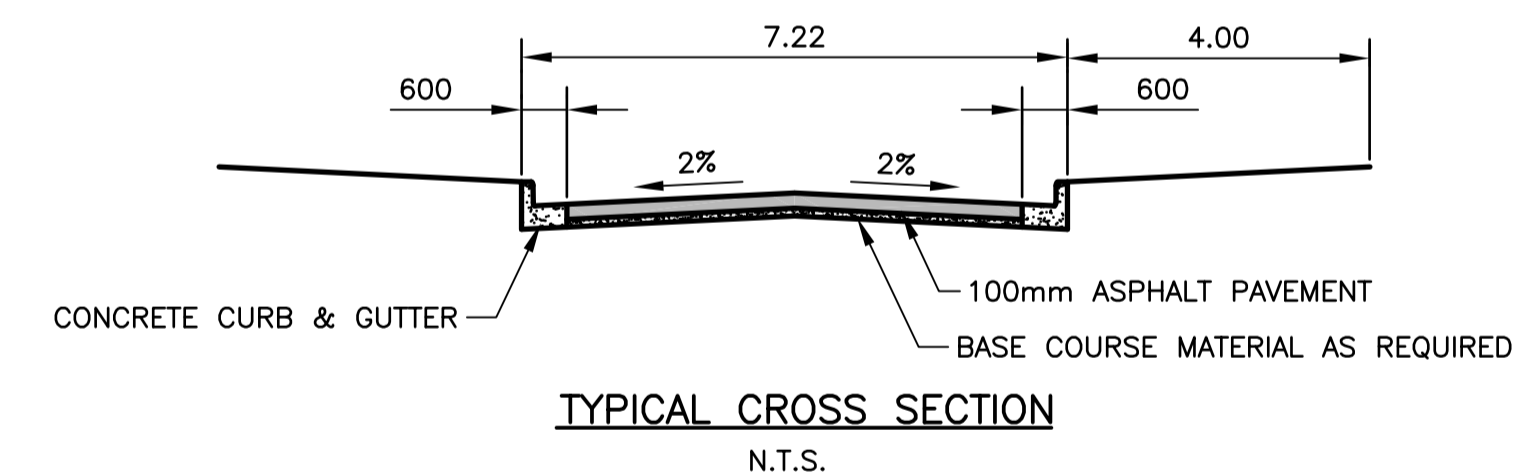


L = 245m W = 7.22m A = 1770m²
 TYPE - RECONSTRUCTION



CONSTRUCTION NOTES:

1. CONTRACTOR SHALL TAKE PRECAUTIONARY STEPS TO AVOID DAMAGE FROM CONSTRUCTION ACTIVITIES TO EXISTING BOULEVARDS AND TREES WITHIN THE LIMITS OF CONSTRUCTION.
2. LOCATION OF EXISTING SERVICES ARE TO BE CONFIRMED IN THE FIELD BY THE CONTRACTOR.
3. TIE-INS TO BE VERIFIED IN THE FIELD BY THE CONTRACT ADMINISTRATOR.
4. BOULEVARD REPLACEMENT TO BE FINALIZED IN THE FIELD AS DIRECTED BY THE CONTRACT ADMINISTRATOR.
5. 300mm SUB BASE TO BE ADDED WHERE OVER EXCAVATION IS REQUIRED AS DIRECTED IN THE FIELD BY THE CONTRACT ADMINISTRATOR.



METRIC
 WHOLE NUMBERS INDICATE MILLIMETRES
 DECIMALIZED NUMBERS INDICATE METRES

WARNING

- IF POWER EQUIPMENT OR EXPLOSIVES ARE TO BE USED FOR EXCAVATION ON THIS PROJECT THE CONTRACTOR MUST:
1. NOTIFY THE GAS COMPANY OF THE PROPOSED LOCATION OF EXCAVATION.
 2. TAKE PRECAUTION TO AVOID DAMAGE TO GAS COMPANY INSTALLATIONS SEE PROVINCIAL REGULATION 210/72 FOR DETAILS

| | | | | | | |
|---------------|---------------------|----------------------|-----------------|----------------------|---------------------|---------------|
| 150 mm W.M. | WATERMAIN | 150 mm W.M. | HYDRO | 150 mm W.M. | WATERMAIN | 150 mm W.M. |
| Hydrant | HYDRANT | Valve | M.T.S. | Hydrant | HYDRANT | Valve |
| 300 mm L.D.S. | LAND DRAINAGE SEWER | 300 mm L.D.S. | CONCRETE | 300 mm L.D.S. | LAND DRAINAGE SEWER | 300 mm L.D.S. |
| 250 mm W.W.S. | WASTE WATER SEWER | 250 mm W.W.S. | ASPHALT | 250 mm W.W.S. | WASTE WATER SEWER | 250 mm W.W.S. |
| Manhole | MANHOLE | Catch Basin | PLANING | Catch Basin | MANHOLE | Catch Basin |
| Curb Inlet | CURB INLET | Partial Depth Repair | SIDEWALK | Partial Depth Repair | Curb Inlet | CURB INLET |
| Junctions | JUNCTIONS | Property Line | PAVING STONES | Property Line | Junctions | JUNCTIONS |
| Culvert | CULVERT | Survey Bar | PARAPLEGIC RAMP | Survey Bar | Culvert | CULVERT |
| Gas | GAS | Paraplegic Ramp | EXISTING | Paraplegic Ramp | Gas | GAS |
| EXISTING | LEGEND-PLAN | PROPOSED | EXISTING | LEGEND-PROFILE | PROPOSED | EXISTING |

UNDERGROUND STRUCTURES
 B.M. ELEV. 65-033 232.100
 ORIGINAL SIGNED BY DERRICK A SAEDA 04/5/06
 SUPV. U/G STRUCTURES COMMITTEE DATE

| | |
|----------------------------|--------------------------------------|
| DESIGNED BY | T. PETERS |
| DRAWN BY | J. MORRIS |
| CHECKED BY | D. KRAHN |
| APPROVED BY | ORIGINAL SIGNED BY D. KRAHN, P.Eng. |
| HOR. SCALE | 1:250 |
| VERTICAL | 1:10 |
| RELEASSED FOR CONSTRUCTION | ORIGINAL SIGNED BY KEN TURKO, C.E.T. |
| DATE | APRIL 12, 2006 |

| | | | |
|-----|-------------------|----------|--------|
| NO. | REVISIONS | DATE | BY |
| 2 | ISSUED FOR TENDER | 04/12/06 | T.J.P. |
| 1 | ISSUED FOR REVIEW | 01/31/06 | T.J.P. |

DILLON CONSULTING

ENGINEER'S SEAL
 PROVINCE OF MANITOBA
 ORIGINAL STAMPED BY
T.J. PETERS
 04/12/06
 REGISTERED PROFESSIONAL ENGINEER

THE CITY OF WINNIPEG
 PUBLIC WORKS DEPARTMENT

2006 RESIDENTIAL STREET RENEWAL PROGRAM

McGILLIVRAY PLACE

VINCENT ST. TO BISCAZYNE BAY (E. LEG)
 STA. 0+290 TO BISCAZYNE BAY (E. LEG)

CITY DRAWING NUMBER
 SHEET **06** OF **12**

CONSULTANT PROJECT NO.
05-5439-2000