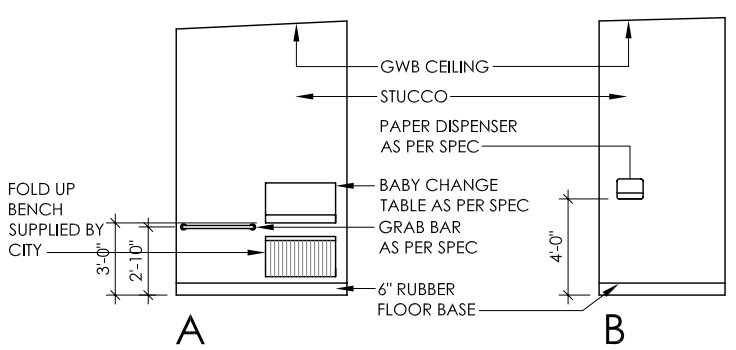
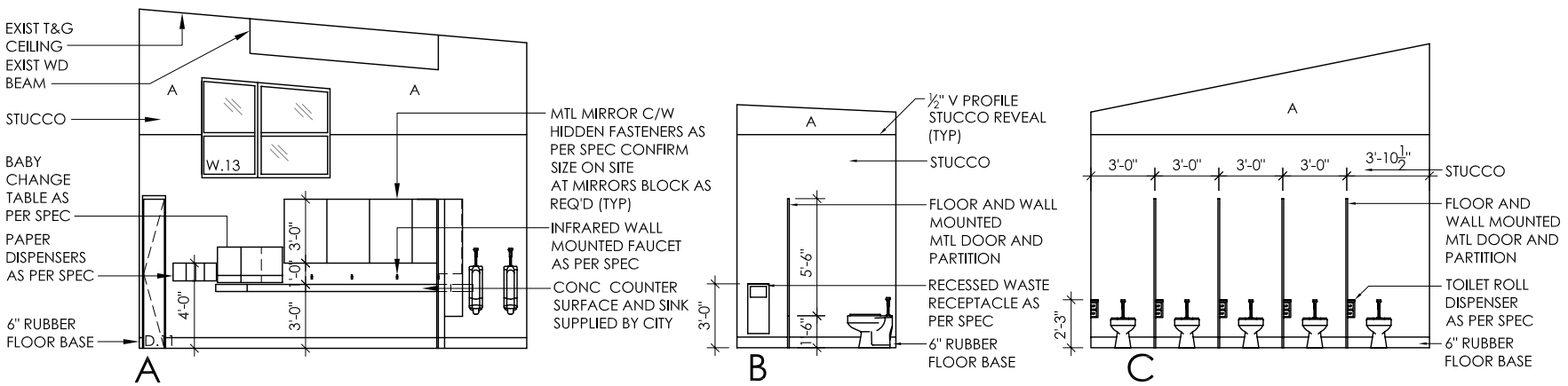
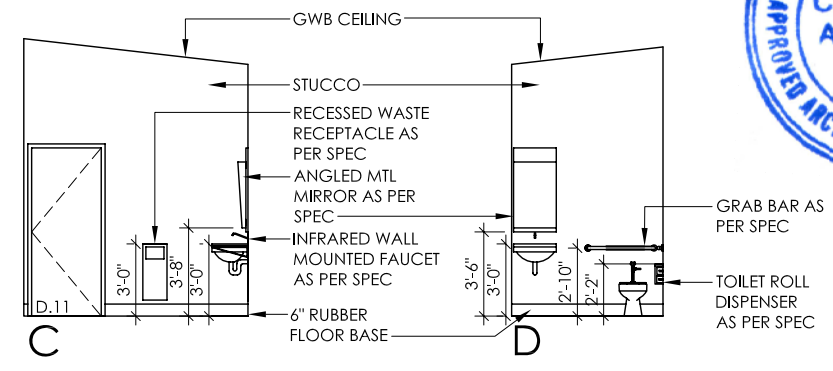


3 PICNIC AREA
1/8" = 1'-0"



4 ACCESSIBLE W/C
1/8" = 1'-0"



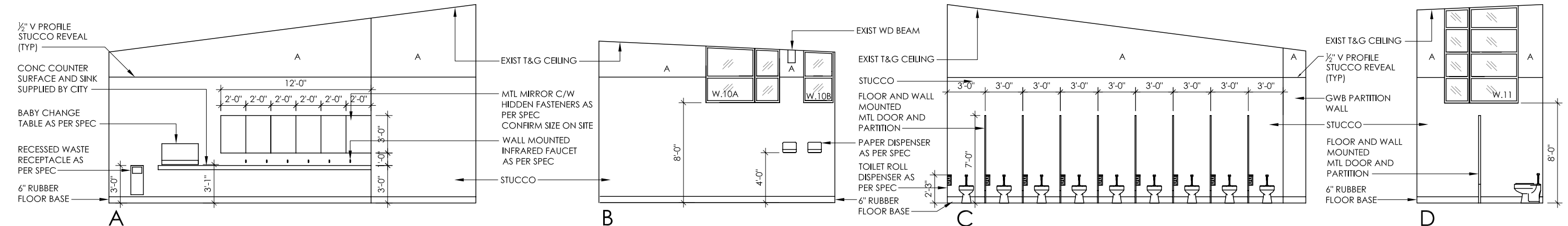
2 MEN'S W/C
1/8" = 1'-0"

ROOM FINISH SCHEDULE																
ROOM	N WALL	N FIN	E WALL	E FIN	S WALL	S FIN	W WALL	W FIN	FL	FL FIN	FL BASE	CLG	CLG HT	CLG FIN	REMARKS	
PICNIC AREA									CONC	AEE	RCB	T&G	VARIES	AEE	CLEAN AND RE-FIN	
MEN W/C	STU	TEC	STU	TEC	STU	TEC	STU	TEC	RSF	-	RSF*	T&G	VARIES	AEE	CLEAN AND RE-FIN	
WOMEN W/C	STU	TEC	STU	TEC	STU	TEC	STU	TEC	RSF	-	RSF*	T&G	VARIES	AEE	CLEAN AND RE-FIN	
ACCES WASH	STU	TEC	STU	TEC	STU	TEC	STU	TEC	RSF	-	RSF*	T&G	VARIES	AEE	CLEAN AND RE-FIN	
MECH ROOM	GWB	P/PTD	GWB	P/PTD	GWB	P/PTD	PLWD	P/PTD	CONC	UNF	RCB	GWB	VARIES	P/PTD	APPLY TO EXIST T&G	
JANITOR'S RM	GWB	P/PTD	GWB	P/PTD	GWB	P/PTD	GWB	P/PTD	CONC	UNF	RCB	GWB	VARIES	P/PTD	APPLY TO EXIST T&G	
COM STORAGE	PLWD	P/PTD	GWB	P/PTD	GWB	P/PTD	GWB	P/PTD	CONC	UNF	RCB	T&G	VARIES	AEE	CLEAN AND RE-FIN	
EXT AREA	STU	TEC	STU	TEC	STU	TEC	STU	TEC	ASP	UNF	-	T&G	VARIES	AEE	FINISH APS	

* Coordinate color of adhesive epoxy to match flooring
P/PTD - refer to section 09913 part 2.5.2 IN SPECIFICATION

LEGEND			
P	PRIMER	ASP	ASPHALT
GWB	GYPSUM WALL BOARD	RCB	RUBBER COVE BASE
STU	STUCCO	CONC	CONCRETE
RSF	RUBBER SPORTS FLOORING	APS	AS PER SPECIFICATION
PTD	PAINTED	T&G	TONGUE AND GROOVE WOOD SLATS
N	NORTH	W	WEST
S	SOUTH	E	EAST
		UNF	UNFINISHED
		AEE	ACRYLIC EPOXY ENAMEL
		TEC	TOWERTHON ELASTOMERIC COATING
		FL	FLOOR
		CLG	CEILING
		FIN	FINISH
		HT	HEIGHT
		PLWD	PLYWOOD

ON DRAWINGS, 'A' marked stucco REPRESENTS GRAFFITI RESISTANT PAINT COLOUR 1
ON DRAWINGS, unmarked stucco REPRESENTS GRAFFITI RESISTANT PAINT COLOUR 2



1 WOMEN'S W/C
1/8" = 1'-0"