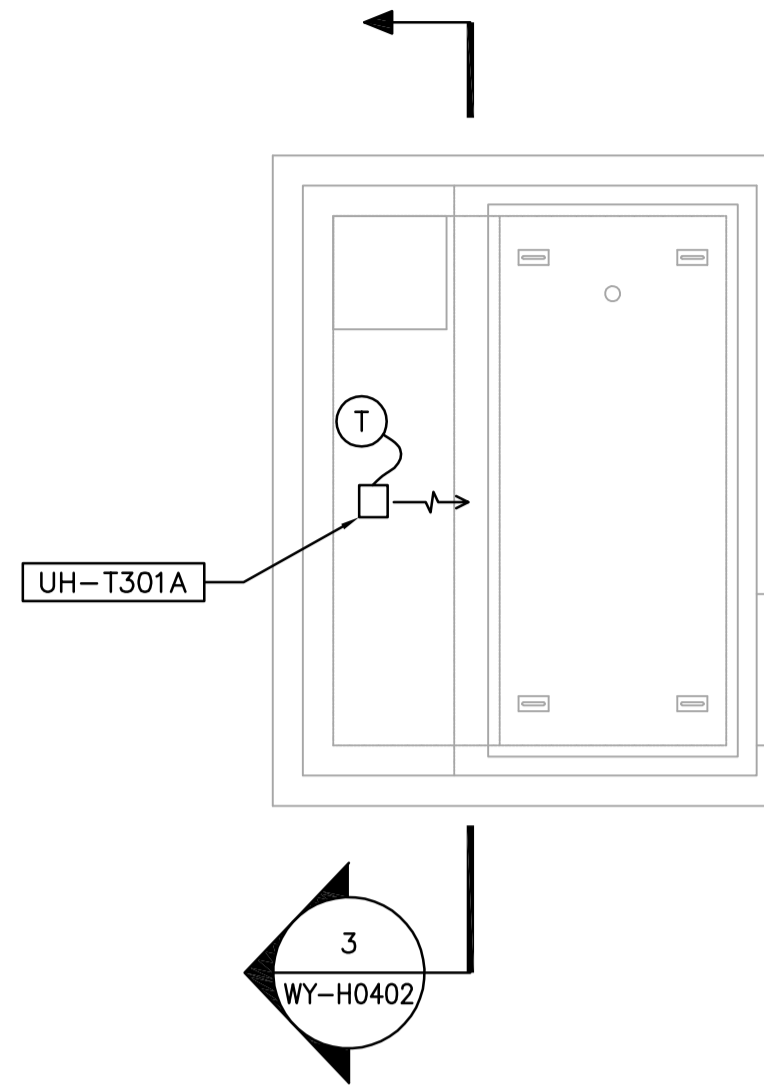
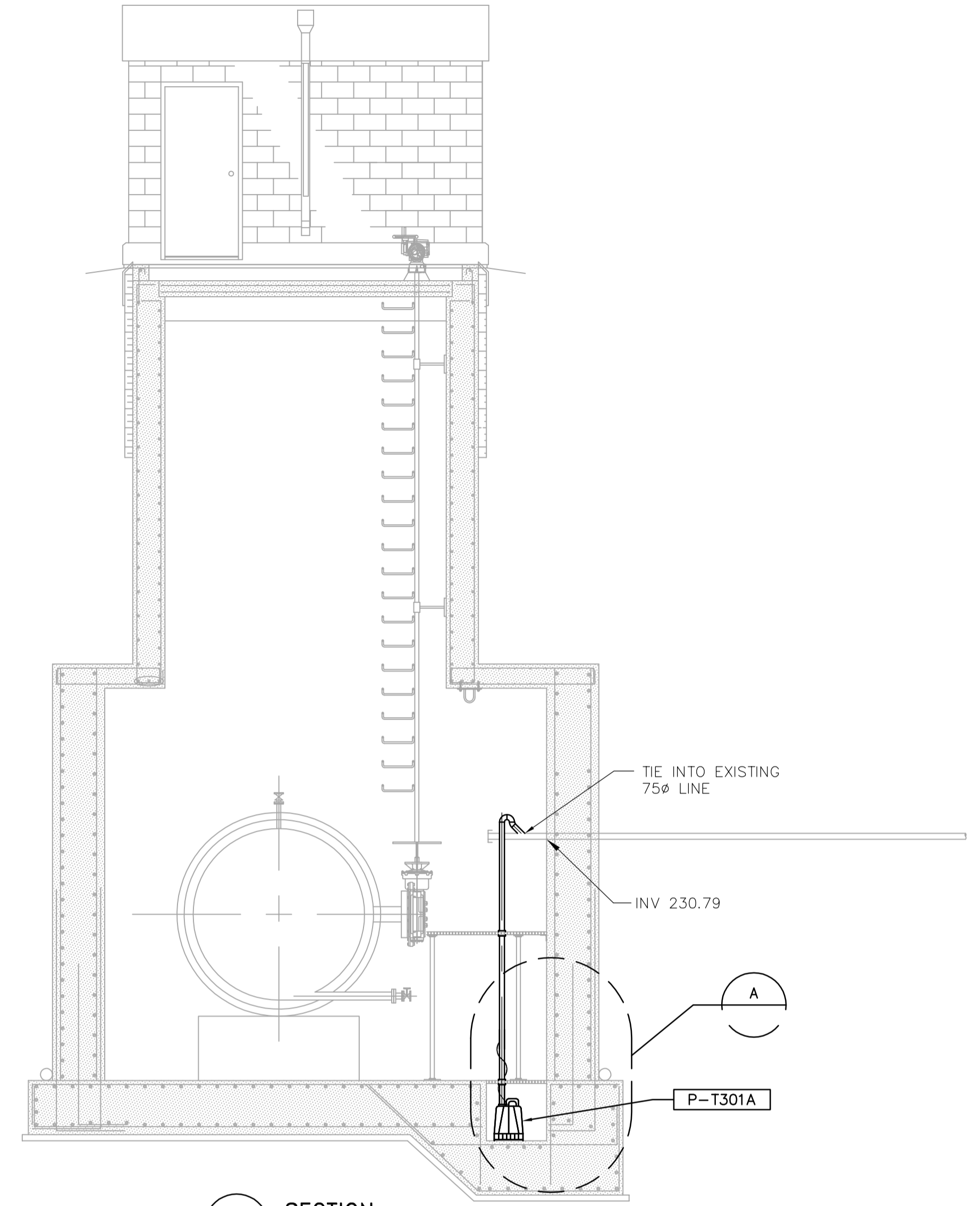


1 PLAN AT EL 228.35  
WY-H0402 1:50

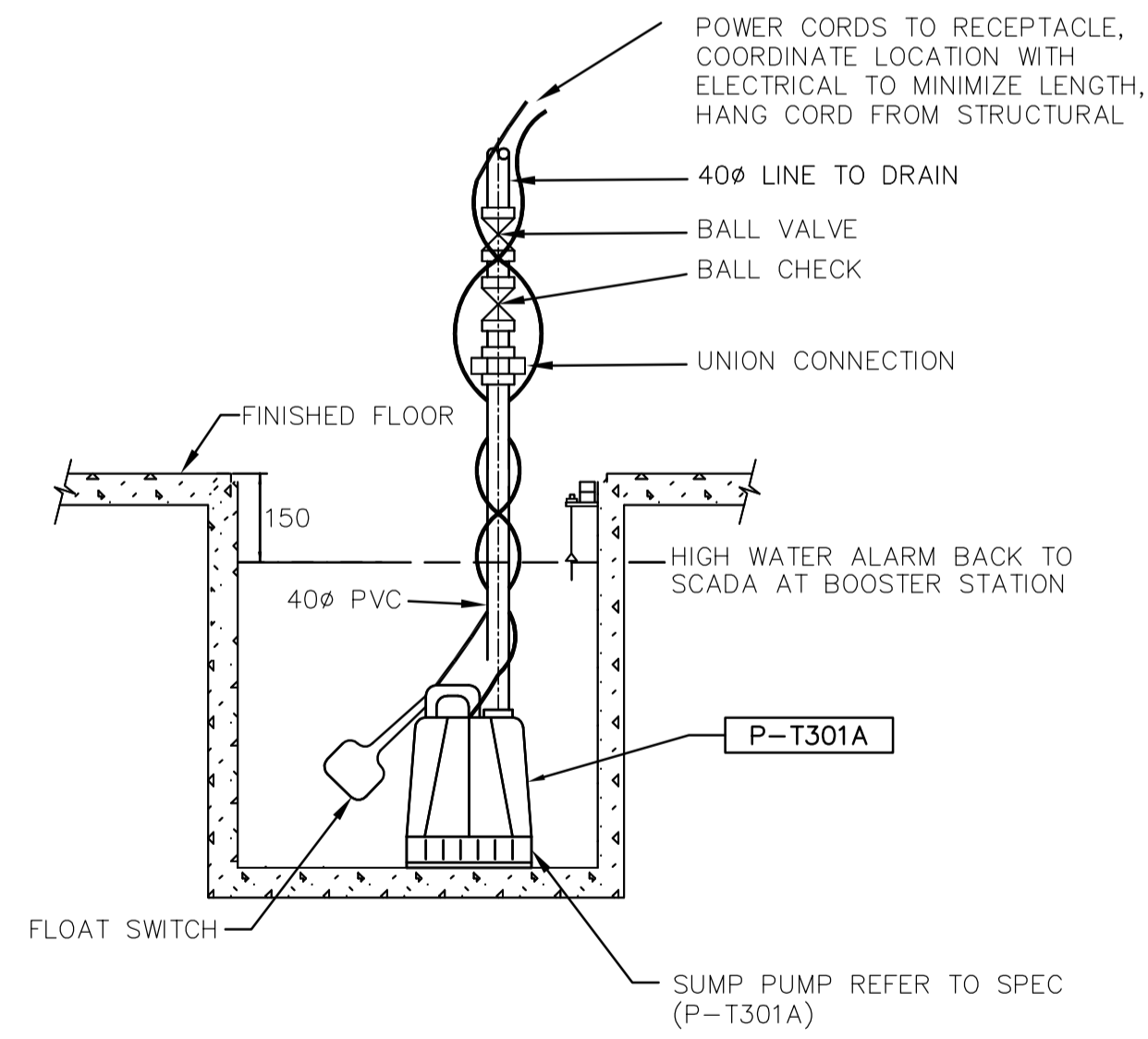


1 MAIN FLOOR PLAN  
WY-H0402 1:50



3 SECTION  
WY-H0402 1:50

**CELL 1 TREATED WATER  
VALVE CHAMBER**



A SUMP PUMP DETAIL  
NTS

<p>Certificate of Authorization Earth Tech Canada Inc. No. 730 Expiry: April 30, 2007</p>	B.M. ELEV.	<p>Frederickson Cooper ARCHITECTS</p>	<p>A Tyco International Ltd. Company</p>	ENGINEER'S SEAL	<p>THE CITY OF WINNIPEG WATER AND WASTE DEPARTMENT ENGINEERING DIVISION</p>		
				DESIGNED BY DC		CHECKED BY AB	ORIGINAL SIGNED BY A. BURACHYNSKY
				DRAWN BY DJ		APPROVED BY AHL	2006/08/30
				SCALE: AS NOTED		RELEASED FOR CONSTRUCTION BY: R. SOROKOWSKI	CONSULTANT DRAWING NO. WY-H0402
	00 ISSUED FOR TENDER 06/08/28 DC	DATE 2006/06/01	DATE 2006/08/30		<p>WATER TREATMENT PLANT YARD PIPING AND VALVE CHAMBERS</p> <p>MECHANICAL PLUMBING AND HVAC PLANS, SECTIONS AND DETAILS</p>		
	NO. REVISIONS	DATE	BY		<p>CITY FILE NUMBER</p> <p>SHEET OF</p> <p>CITY DRAWING NUMBER</p> <p>1-0601Y-A-H0402-001-00D</p>		