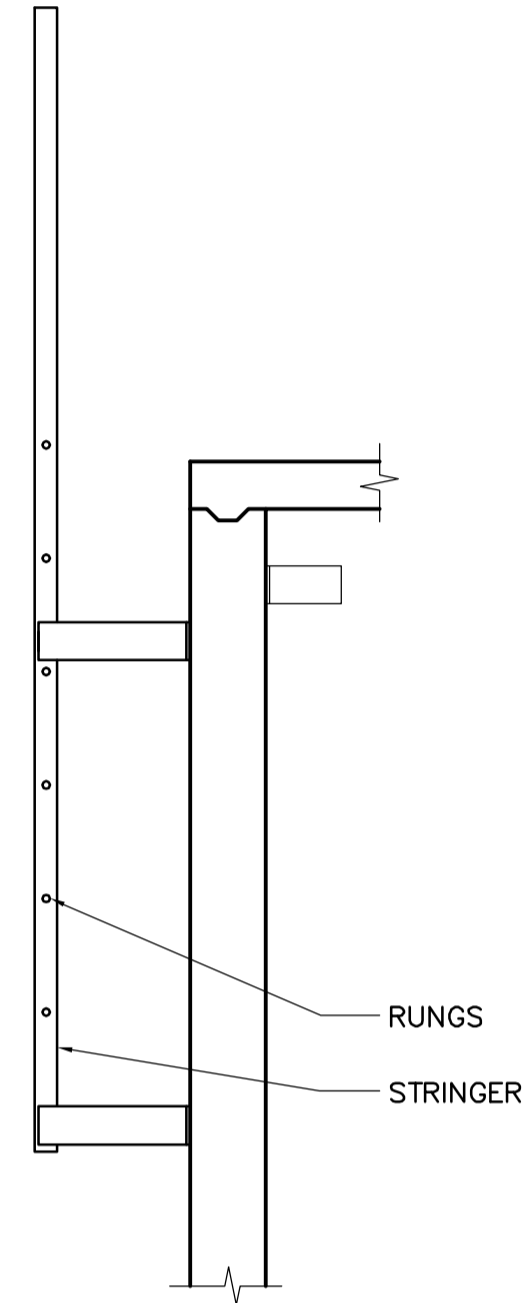
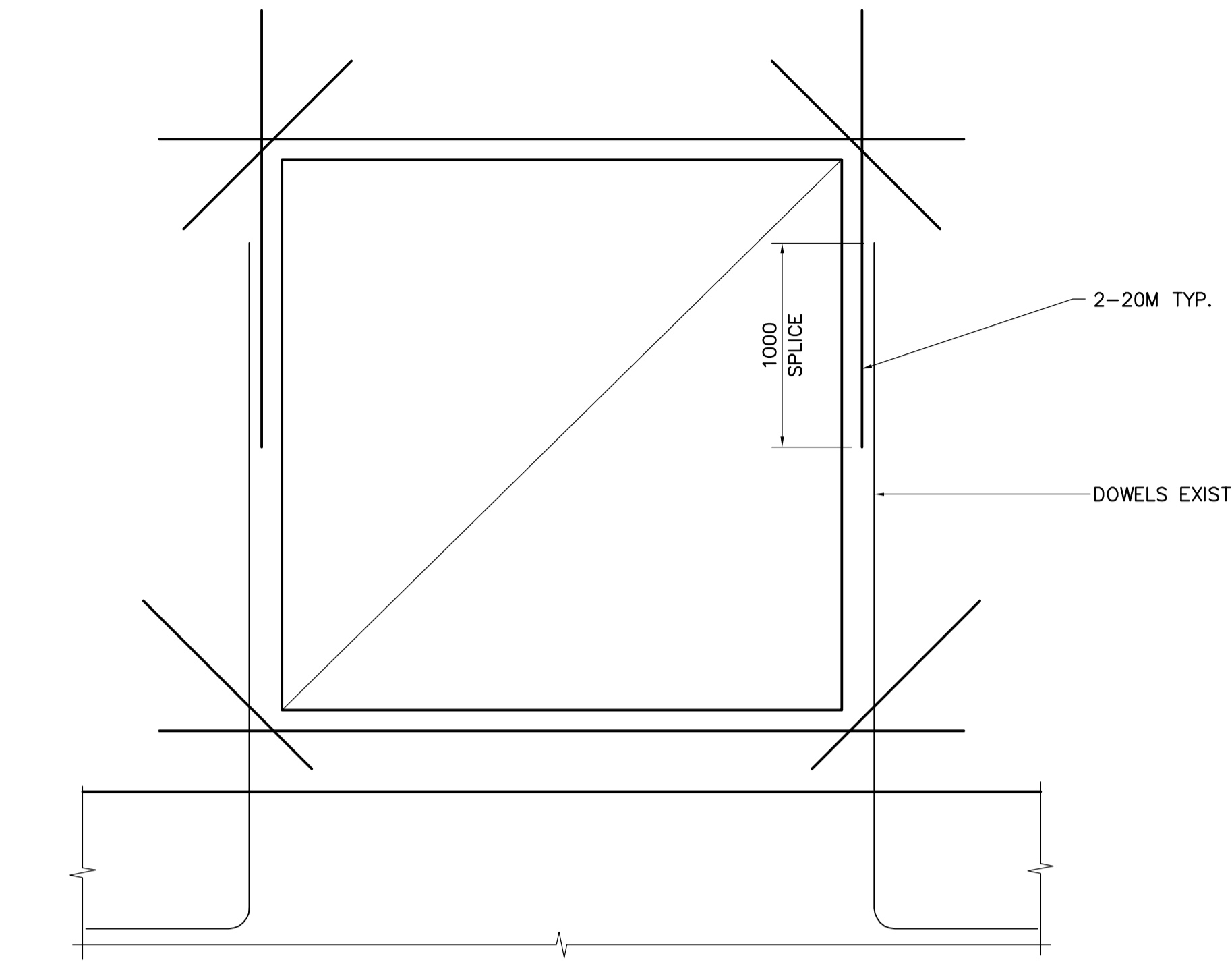


A DETAIL
WT-S0001 NTS

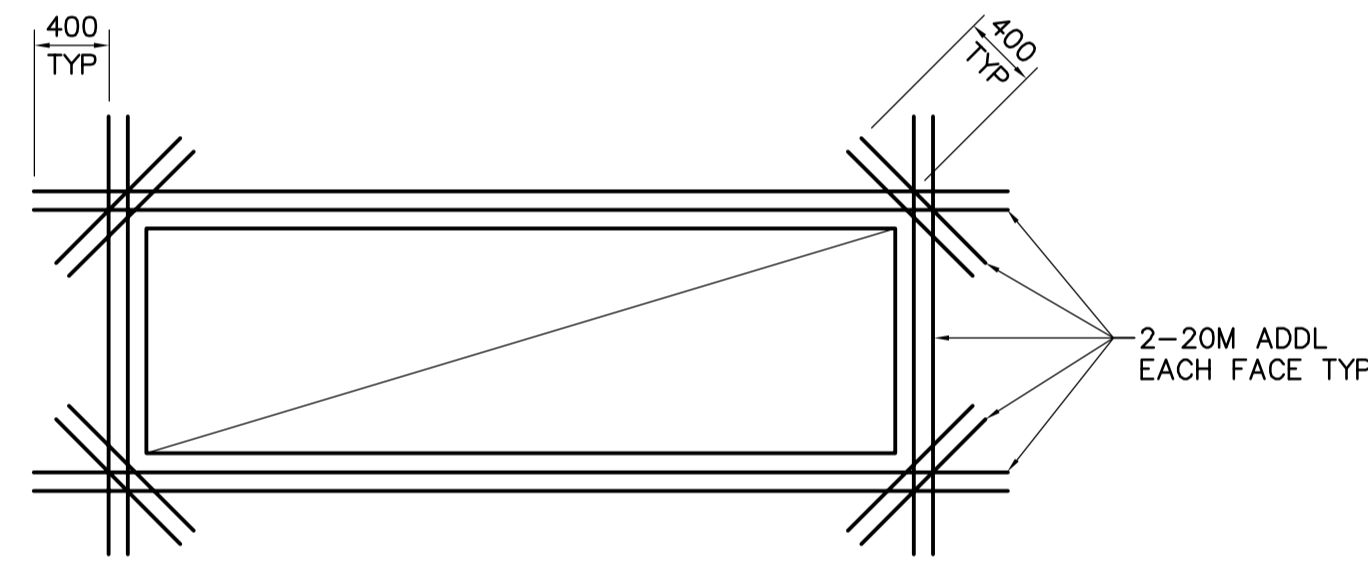
NOTE:
ALL ALUM CONSTRUCTION



1 SECTION
WT-S0001 NTS



B TYPICAL REINFORCING AROUND OPENINGS THROUGH CONCRETE WALL
NTS



D TYPICAL REINFORCING AROUND OPENINGS IN SLAB
NTS



B.M. ELEV.			
DESIGNED BY	RE	CHECKED BY	MK
DRAWN BY	WDB	APPROVED BY	AHL
SCALE:	AS NOTED	RELEASED FOR CONSTRUCTION BY:	R. SOROKOWSKI
00 ISSUED FOR TENDER	06/08/28	DATE	2005/12/21
NO. REVISIONS	DATE	BY	DATE

CH2MHILL
Frederickson Cooper
ARCHITECTS

EarthTech
A Tech International Ltd. Company

DESIGNED BY: RE
DRAWN BY: WDB
SCALE: AS NOTED

CHECKED BY: MK
APPROVED BY: AHL
RELEASED FOR CONSTRUCTION BY: R. SOROKOWSKI

DATE: 2006/08/30

ENGINEER'S SEAL

ORIGINAL SIGNED BY
R. ERIC
2006/08/30

CONSULTANT DRAWING NO.
WT-S0007

THE CITY OF WINNIPEG
WATER AND WASTE DEPARTMENT
ENGINEERING DIVISION

Winnipeg

WATER TREATMENT PLANT
TREATED WATER STORAGE
INLET BUILDING

STRUCTURAL
STANDARD DETAILS
SHEET 2

CITY FILE NUMBER
SHEET OF
CITY DRAWING NUMBER
1-0601T-A-S0008-001-00D