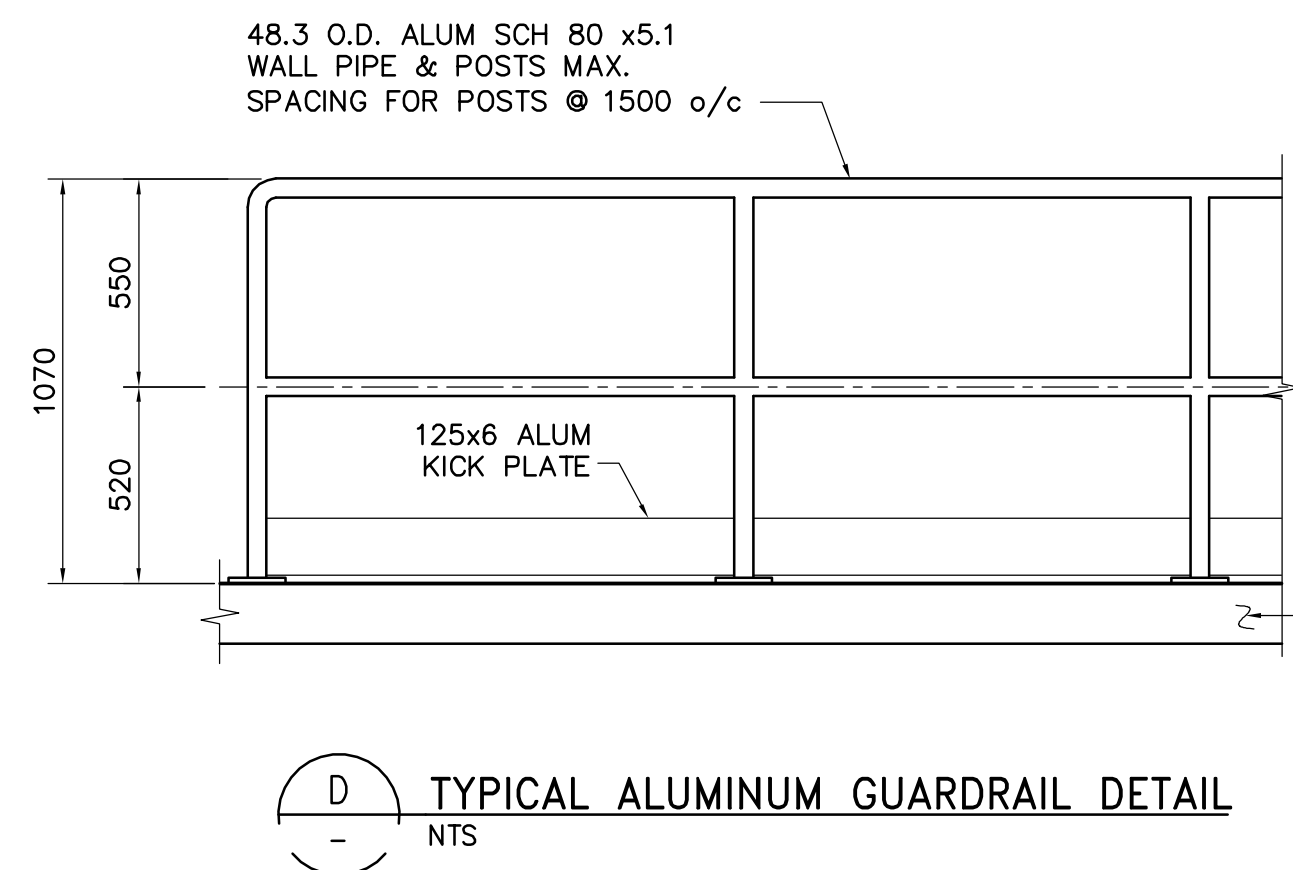
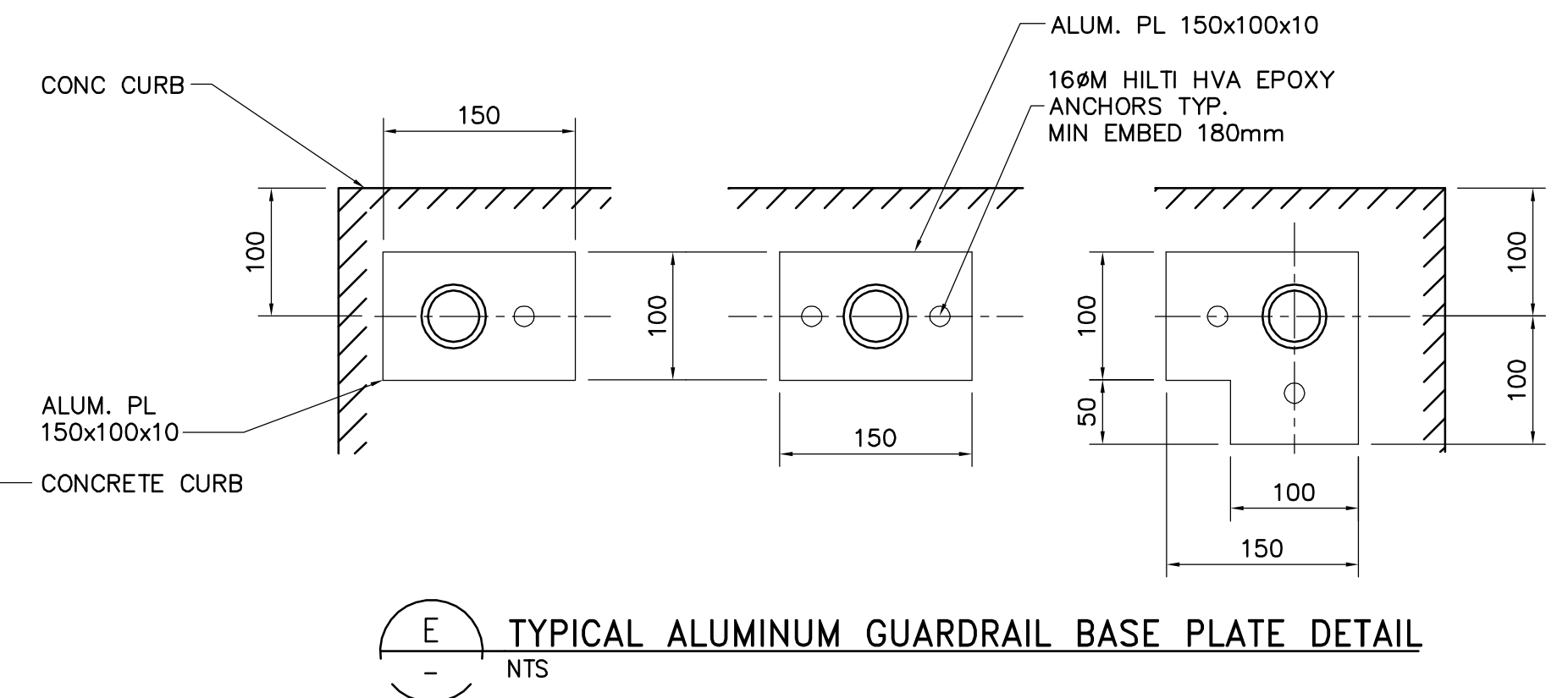


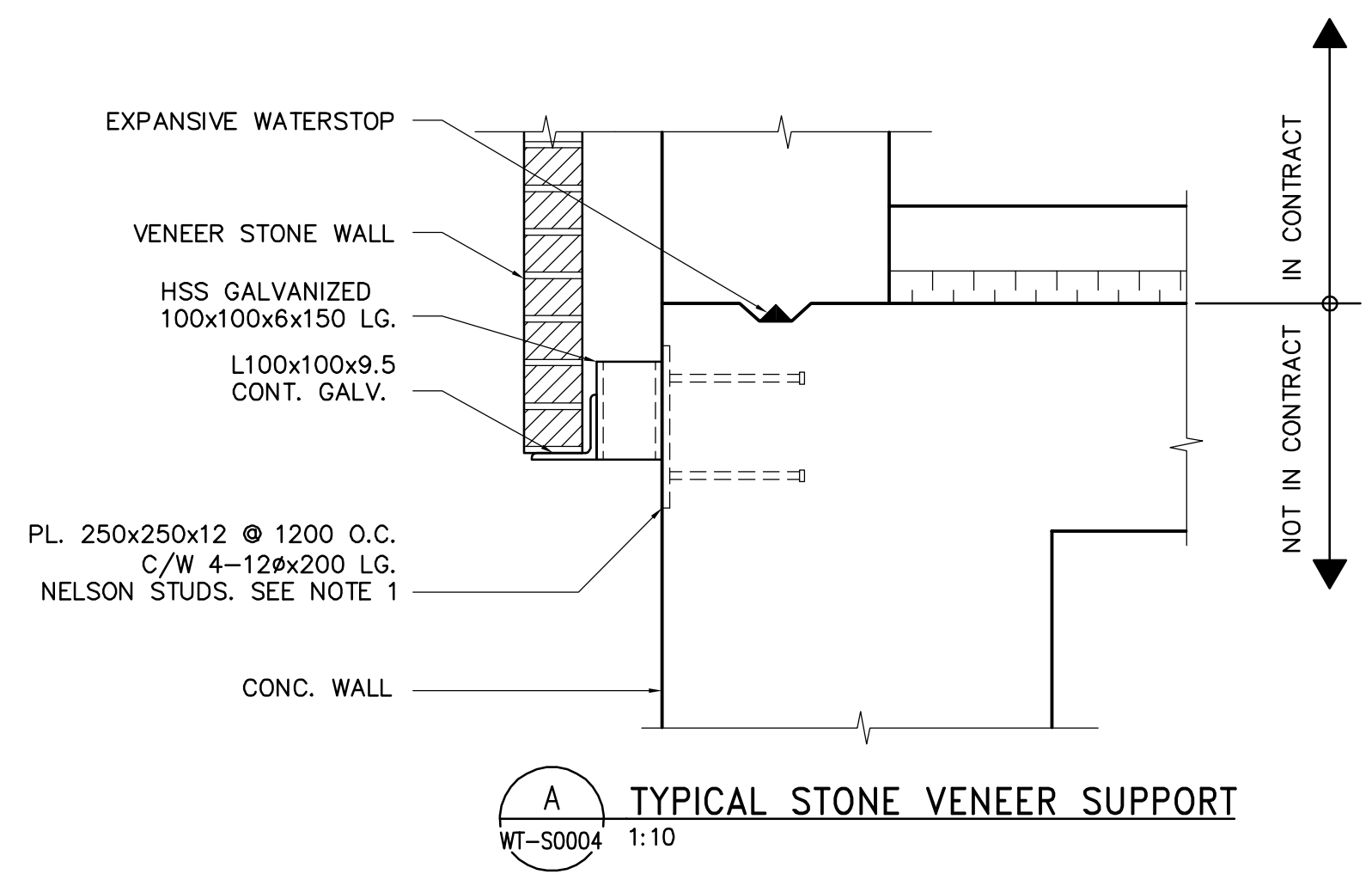
**C** TYPICAL SLAB REINFORCING AT AIR INTAKES  
WT-S0003 1:10



**D** TYPICAL ALUMINUM GUARDRAIL DETAIL  
NTS

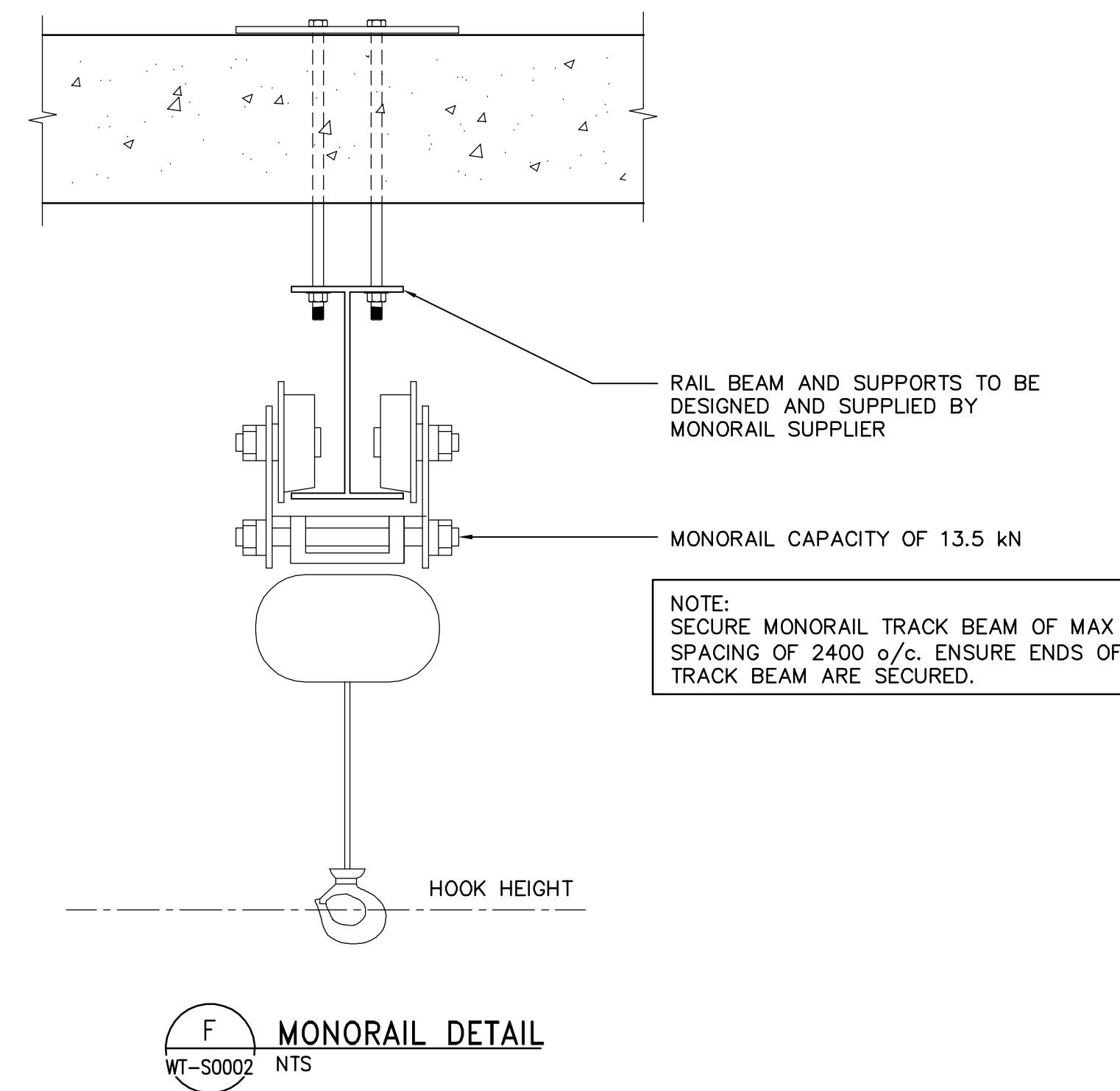


**E** TYPICAL ALUMINUM GUARDRAIL BASE PLATE DETAIL  
NTS

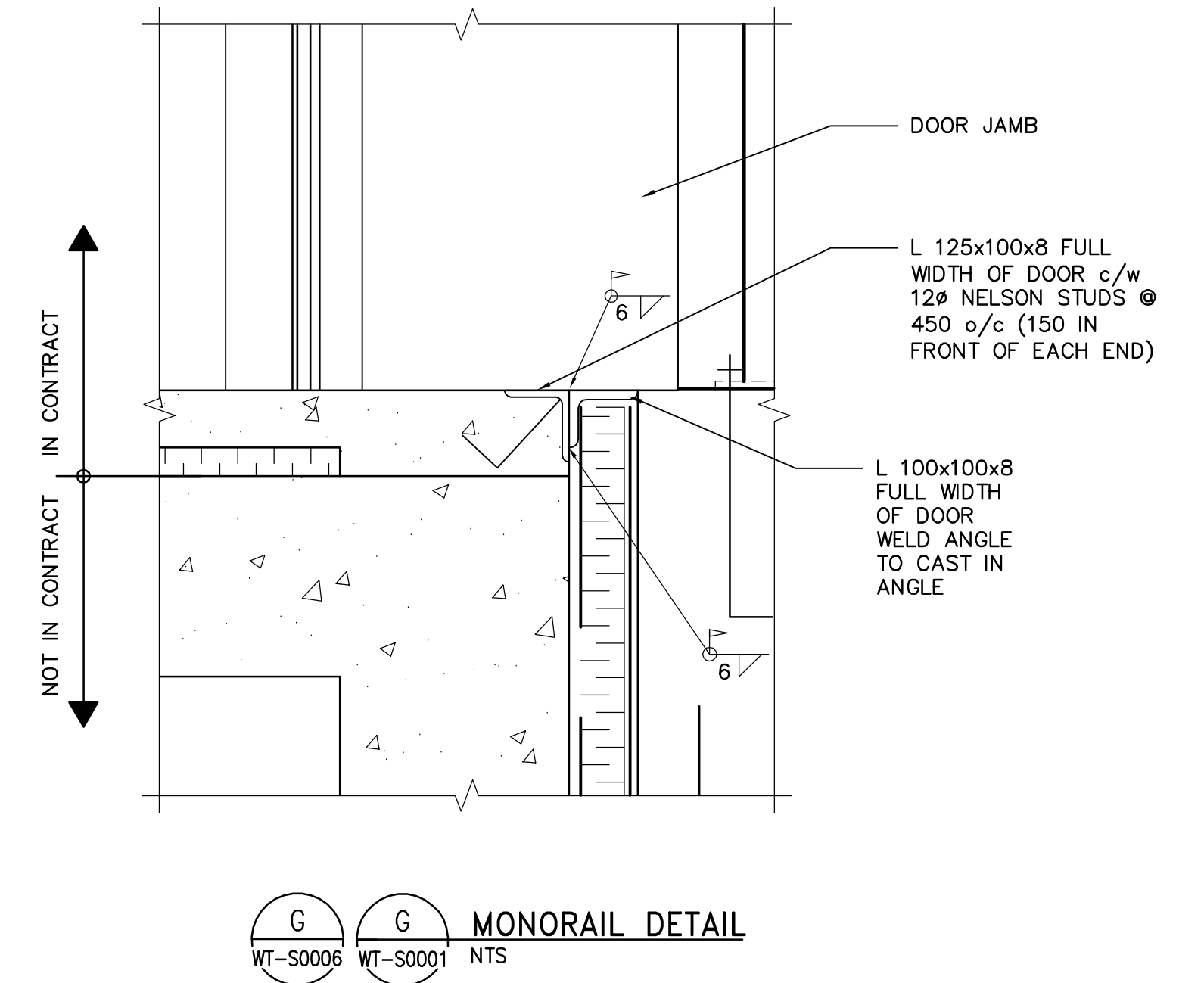


**A** TYPICAL STONE VENEER SUPPORT  
WT-S0004 1:10

NOTES:  
1. CAST IN WELD PLATE SUPPLIED AND INSTALLED UNDER SEPARATE CONTRACT.



**F** MONORAIL DETAIL  
WT-S0002 NTS

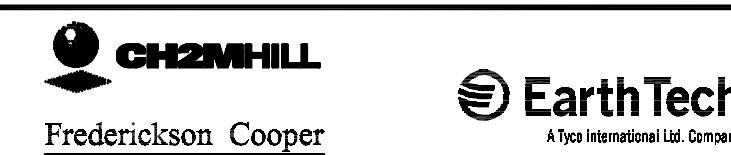


**G** MONORAIL DETAIL  
WT-S0006 WT-S0001 NTS

NOTE:  
SECTION TYPICAL AT ALL DOORS



B.M. ELEV.			
DESIGNED BY	RE	CHECKED BY	MK
DRAWN BY	WDB	APPROVED BY	AHL
SCALE:	AS NOTED	RELEASED FOR CONSTRUCTION BY:	R. SOROKOWSKI
NO.	ISSUED FOR TENDER	DATE	06/08/28
NO.	REVISIONS	DATE	BY
		DATE	2005/12/21
		DATE	2006/08/30



ENGINEER'S SEAL  
ORIGINAL SIGNED BY  
R. ERIC  
2006/08/30  
CONSULTANT DRAWING NO.  
WT-S0006

**THE CITY OF WINNIPEG**  
WATER AND WASTE DEPARTMENT  
ENGINEERING DIVISION

WATER TREATMENT PLANT  
TREATED WATER STORAGE  
INLET BUILDING

STRUCTURAL  
STANDARD DETAILS  
SHEET 1

CITY FILE NUMBER  
SHEET OF  
CITY DRAWING NUMBER  
**1-0601T-A-S0006-001-00D**