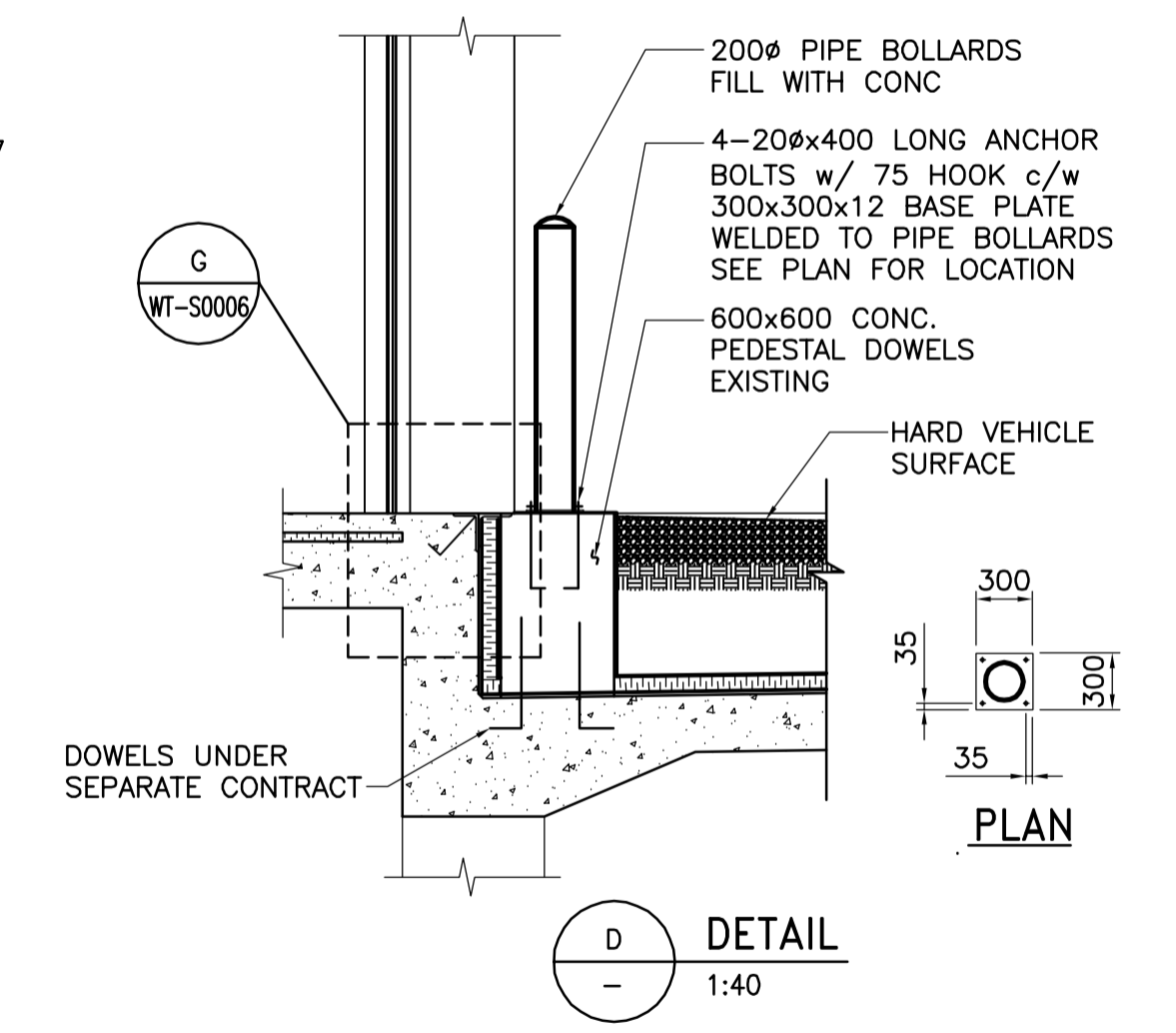
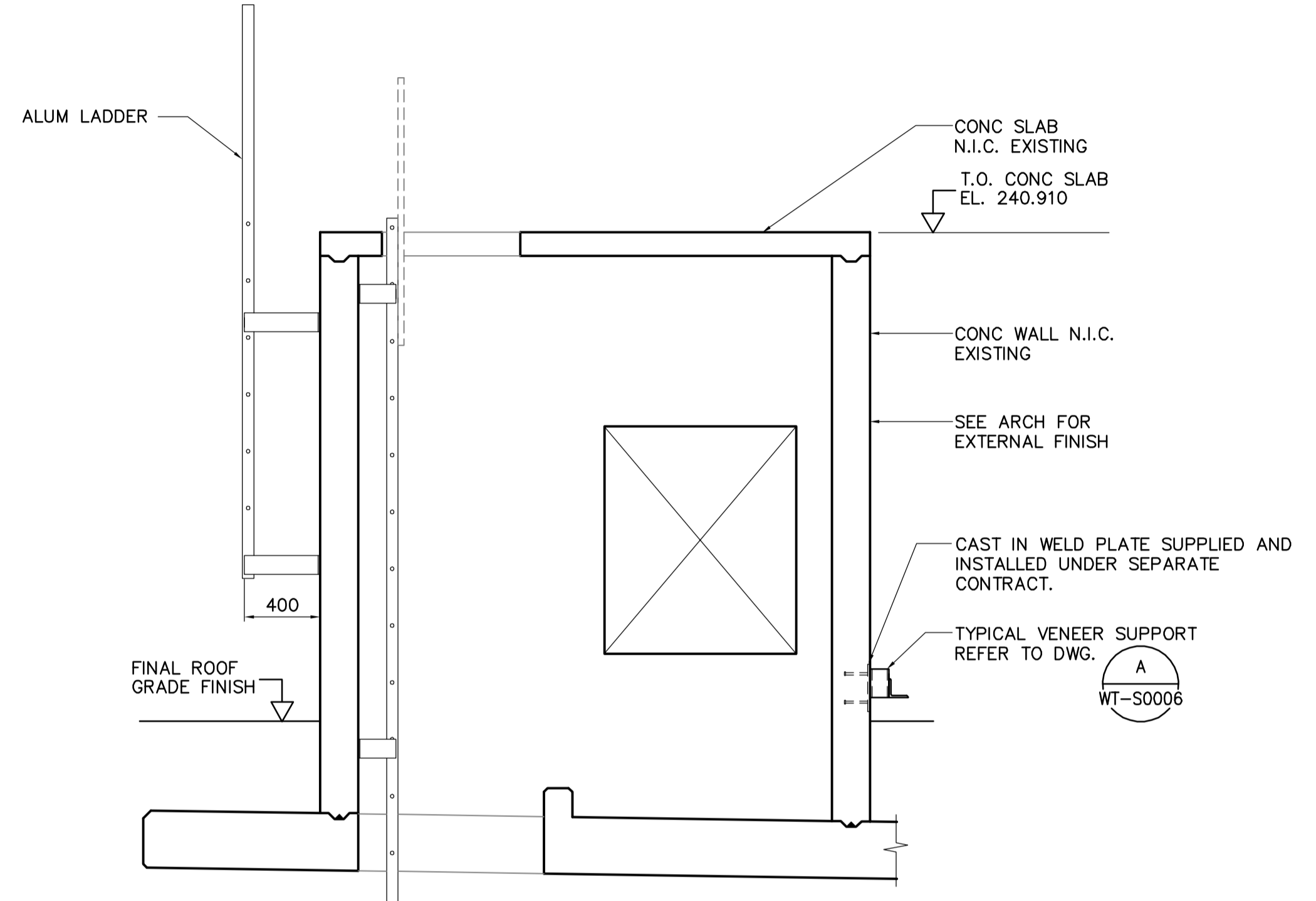
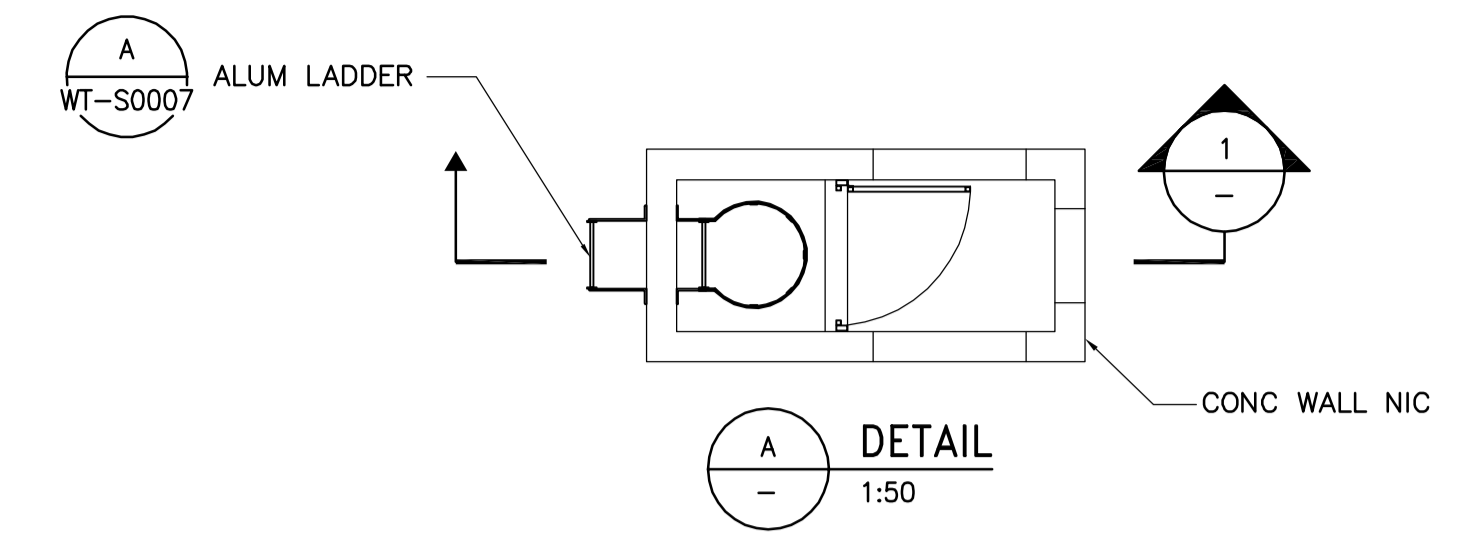


ROOF FRAMING PLAN
1:200



UNDER THIS CONTRACT:
 SUPPLY AND INSTALL BILCO AS NOTED ON ROOF FRAMING.
 #1 915x915 BILCO HATCH c/w 300 HIGH CURB.
 #2 3850x950 BILCO HATCH c/w 300 HIGH CURB.
 #3 3350x950 BILCO HATCH c/w 300 HIGH CURB.
 #4 915x500 BILCO HATCH c/w 300 HIGH CURB.



B.M. ELEV.					
DESIGNED BY	RE	CHECKED BY	MK		
DRAWN BY	WDB	APPROVED BY	AHL		
SCALE:	AS NOTED	RELEASED FOR CONSTRUCTION BY:	R. SOROKOWSKI		
NO.	ISSUED FOR TENDER	DATE	06/08/28	BY	WDB
NO.	REVISIONS	DATE	2005/12/21	DATE	2006/08/30

ENGINEER'S SEAL
 ORIGINAL SIGNED BY
 R. ERIC
 2006/08/30
 CONSULTANT DRAWING NO.
 WT-S0001

THE CITY OF WINNIPEG
 WATER AND WASTE DEPARTMENT
 ENGINEERING DIVISION

WATER TREATMENT PLANT
 TREATED WATER STORAGE
 INLET BUILDING

STRUCTURAL
 OVERALL PLAN

CITY FILE NUMBER
 SHEET OF
 CITY DRAWING NUMBER
1-060T-A-80001-001-00D