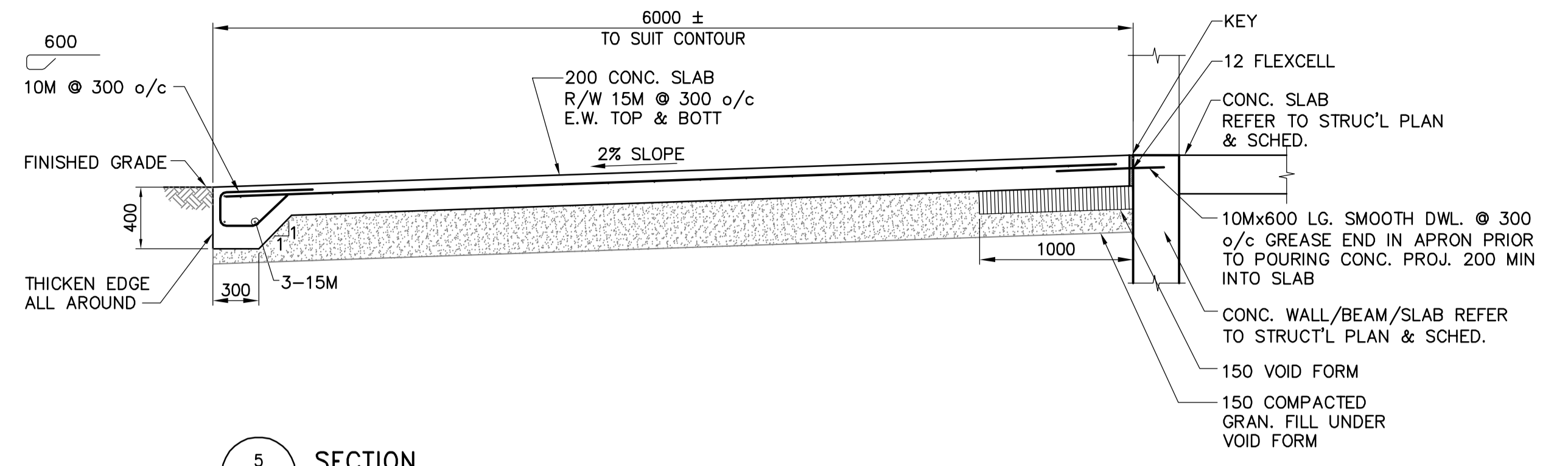
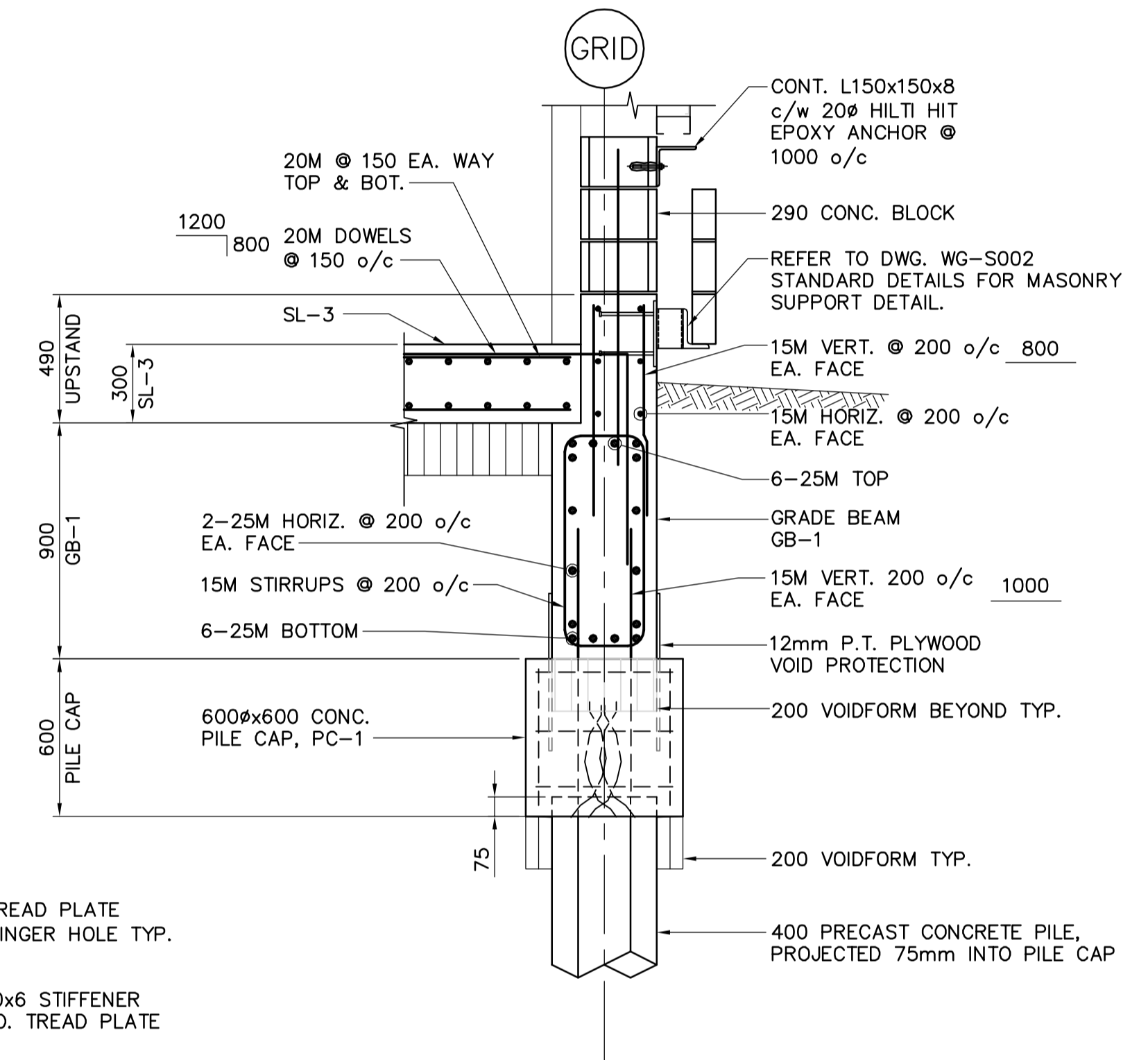


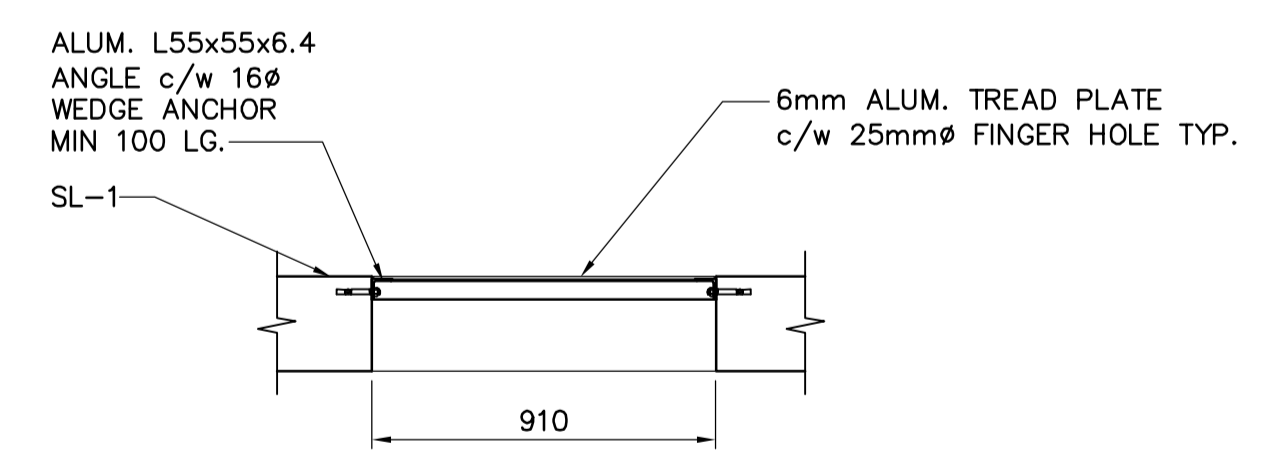
4 SECTION
WG-S0140 WG-S0100 WG-S0110 1:50



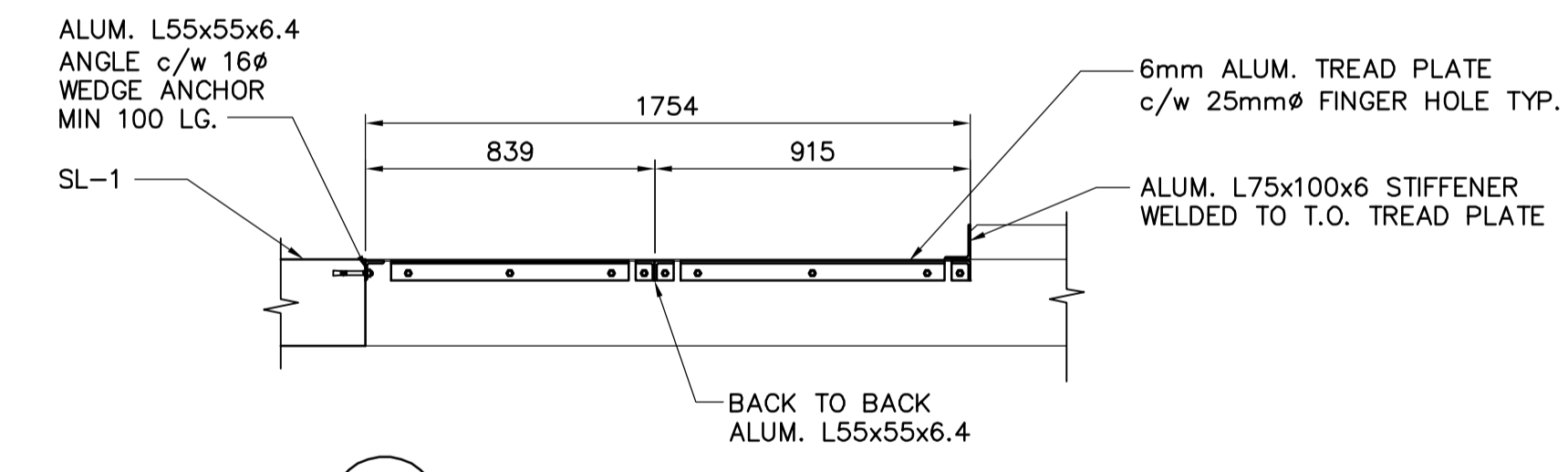
5 SECTION
WG-S0110 1:30



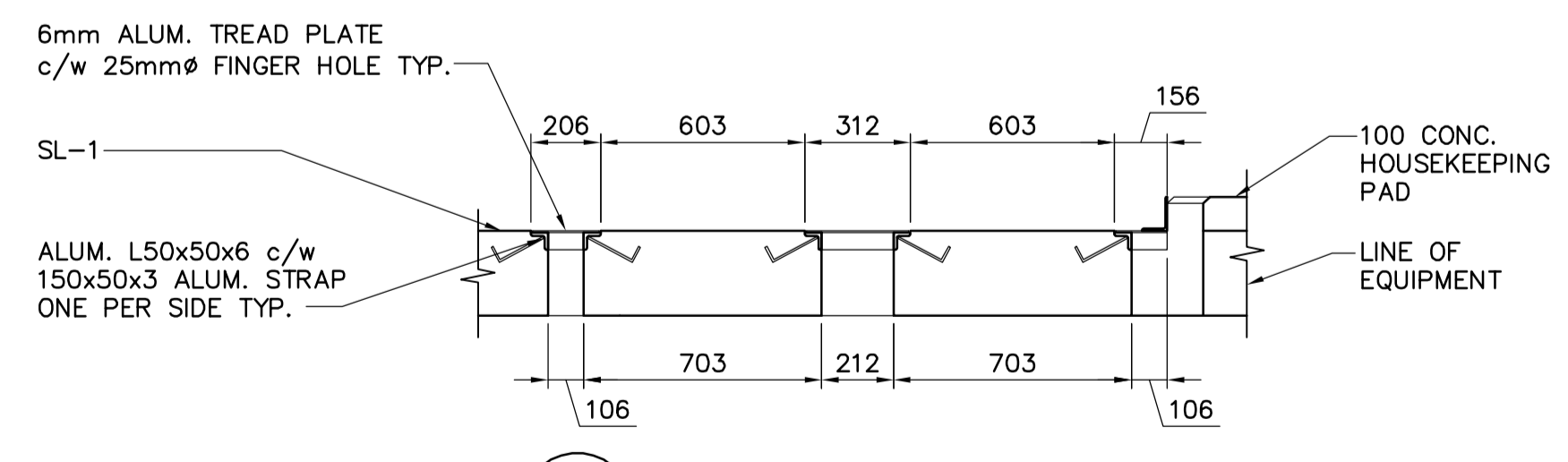
A DETAIL
WG-S0203 1:20



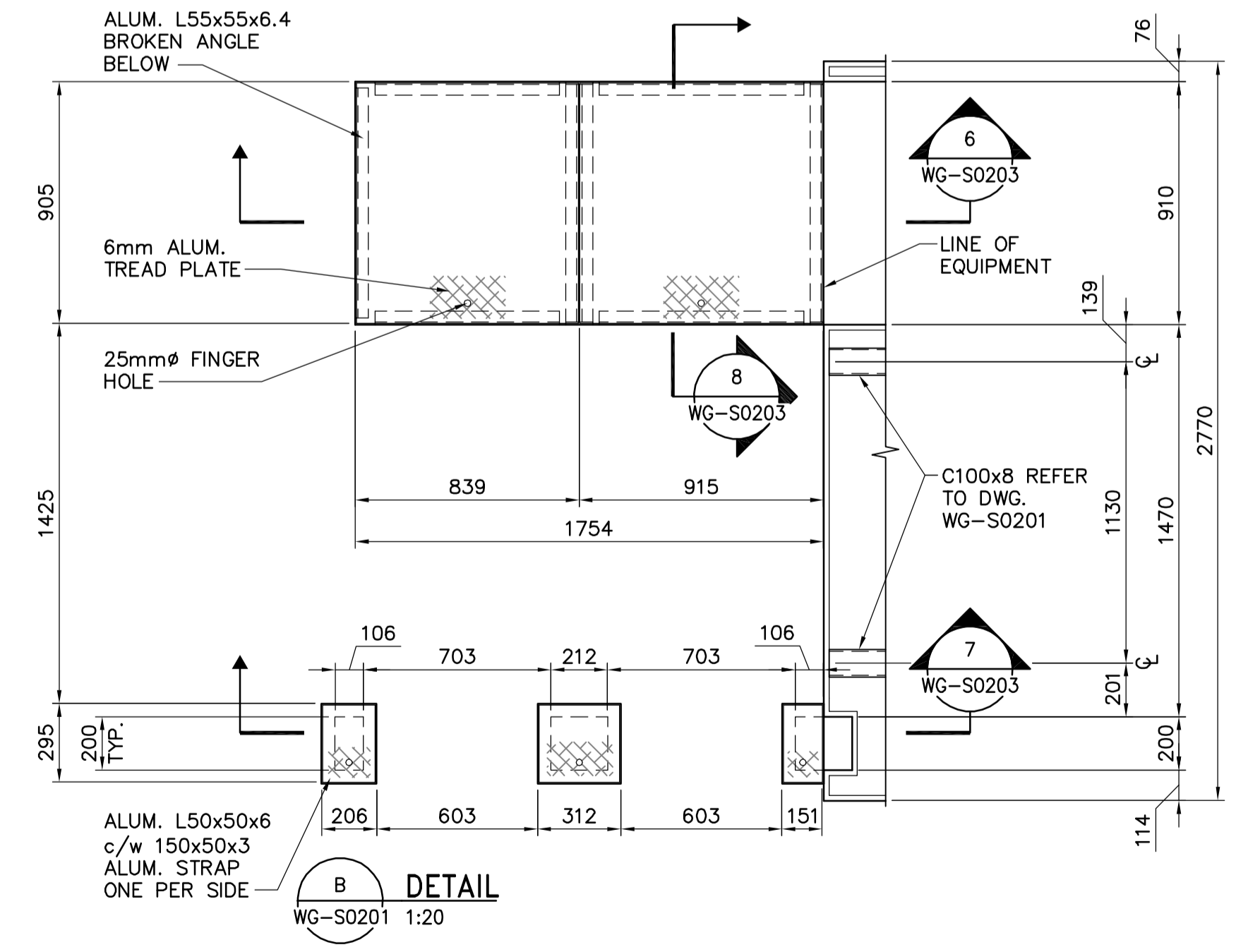
B DETAIL
WG-S0203 1:20



6 SECTION
WG-S0203 1:20



7 DETAIL
WG-S0203 1:20



B DETAIL
WG-S0201 1:20

APEGM
Certificate of Authorization
Earth Tech Canada Inc.
No. 730 Expiry: April 30, 2007

B.M. ELEV.					
DESIGNED BY	AP/GGP	CHECKED BY	MK	ENGINEER'S SEAL	
DRAWN BY	KK	APPROVED BY	AHL	ORIGINAL SIGNED BY	A. POCHANART
SCALE:	AS SHOWN	RELEASED FOR CONSTRUCTION BY:	R. SOROKOWSKI	DATE	2006/08/30
ISSUED FOR TENDER	06/08/28	DATE	2006/06/16	CONSULTANT DRAWING NO.	WG-S0203
NO. REVISIONS		DATE			

CH2M HILL Frederickson Cooper ARCHITECTS EarthTech A Tech International Ltd. Company		THE CITY OF WINNIPEG WATER AND WASTE DEPARTMENT ENGINEERING DIVISION	
WATER TREATMENT PLANT STANDBY POWER GENERATOR		CITY FILE NUMBER SHEET OF	
STRUCTURAL		CITY DRAWING NUMBER 1-0601G-A-S0203-001-000	
BUILDING SECTIONS & DETAILS			