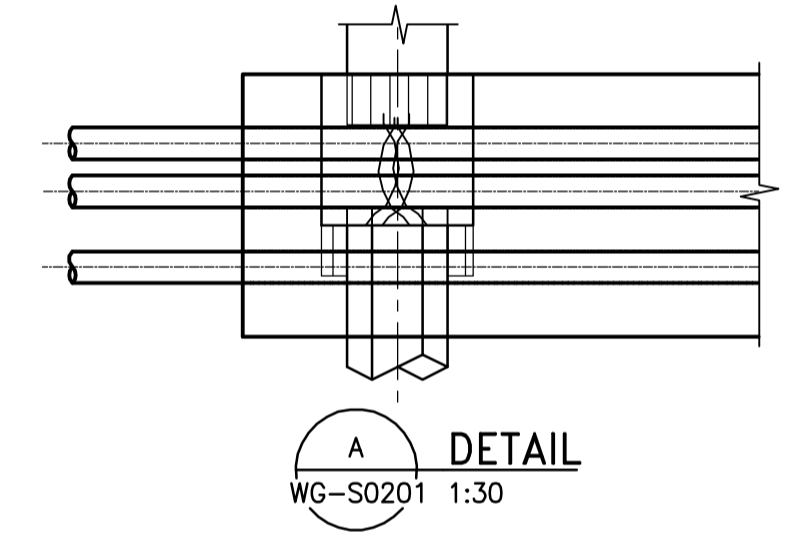
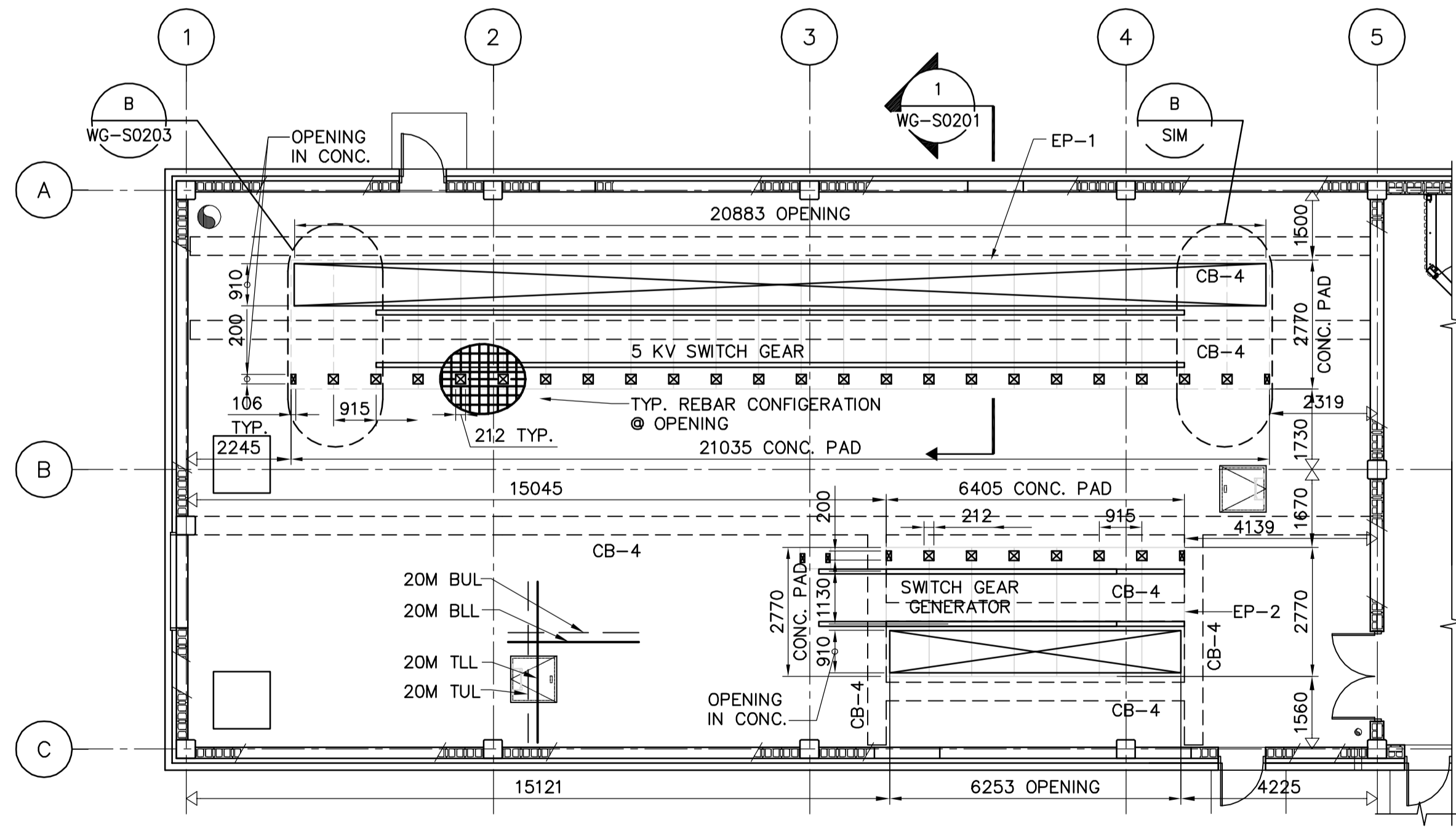


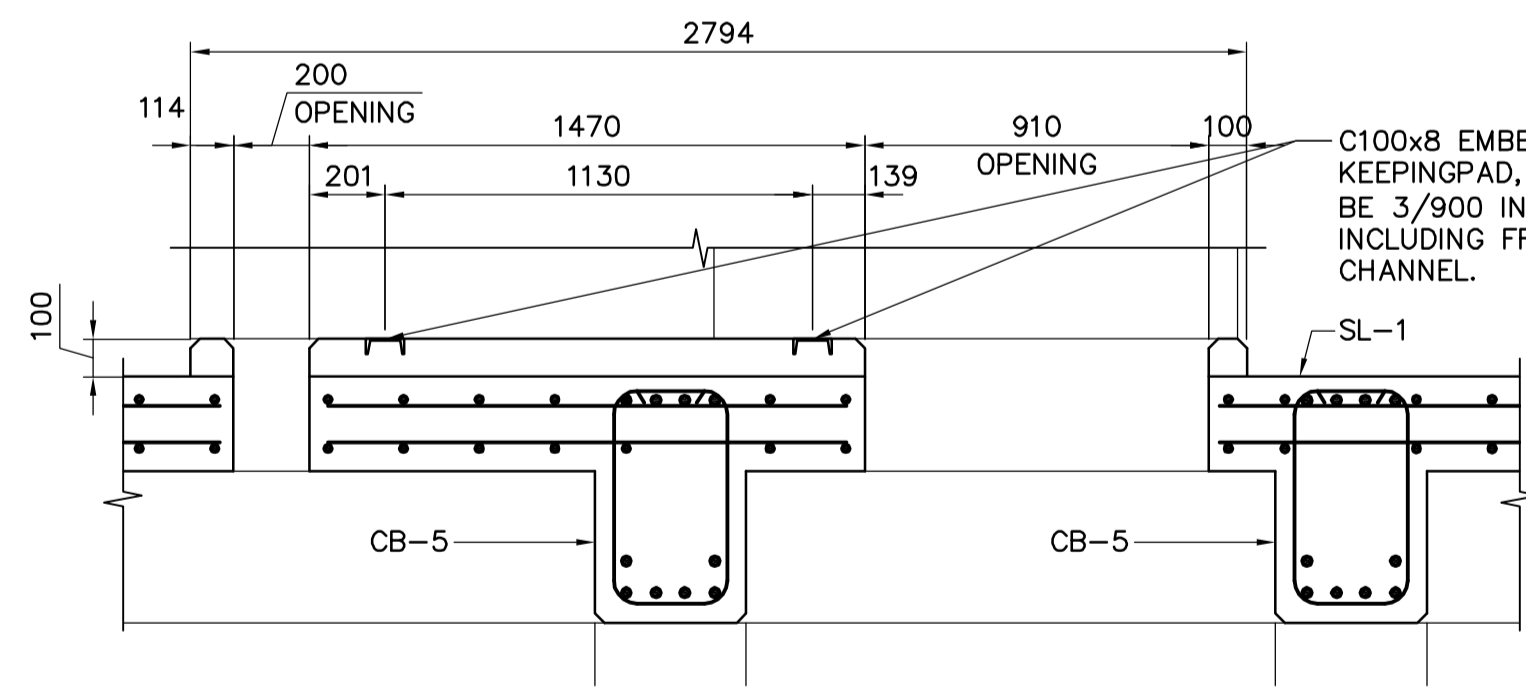
SECTION 1-1
WG-S0100 WG-S0110 1:100



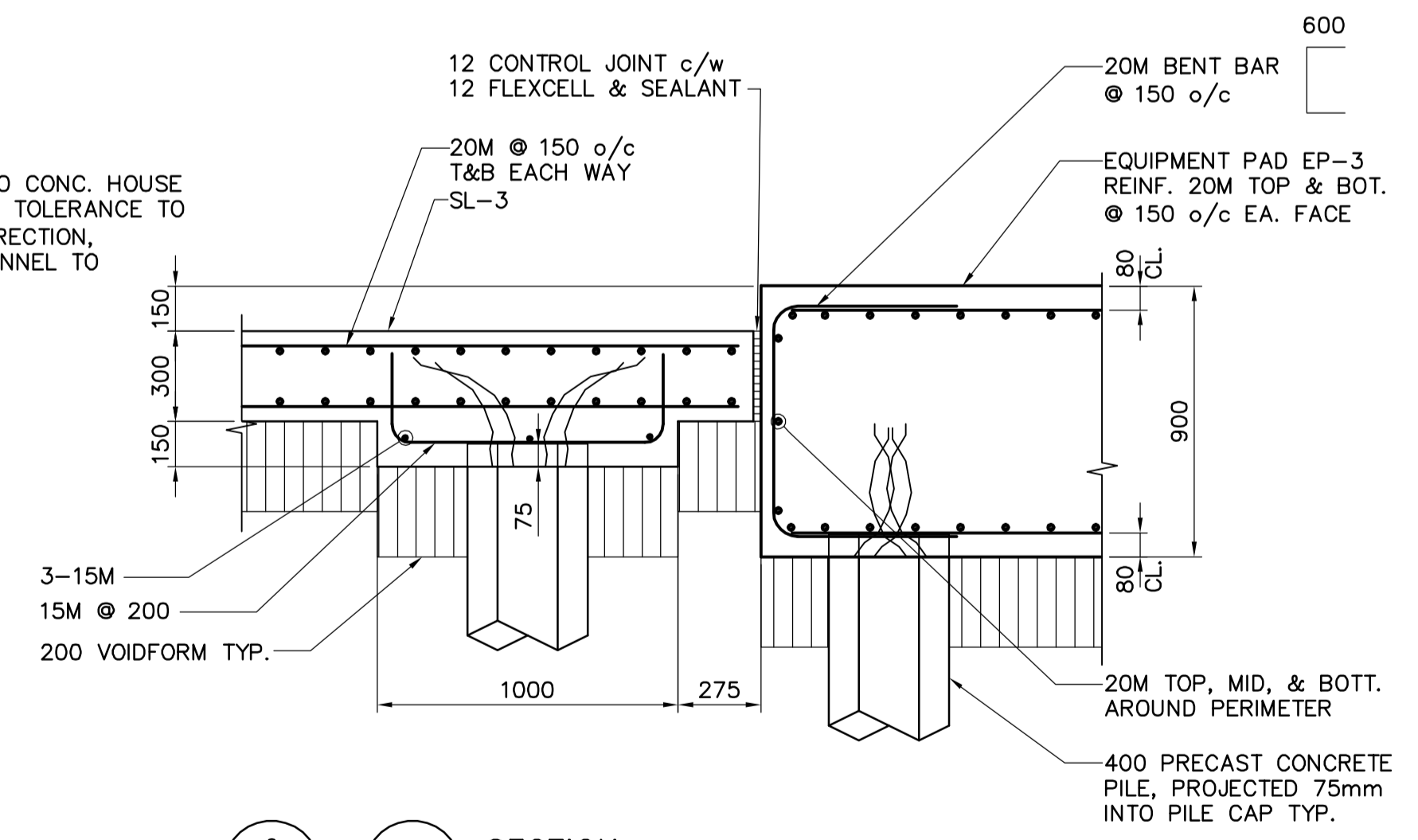
DETAIL A
WG-S0201 1:30



FLOOR PENETRATION FOR SWITCH GEAR CABLES
1:100



1 TYP. DETAIL 1 THRU SWITCHGEAR OPENINGS
WG-S0201 1:20



SECTION 6
WG-S0140 WG-S0100 1:20



B.M. ELEV.			
DESIGNED BY	AP/GGP	CHECKED BY	MK
DRAWN BY	KK	APPROVED BY	AHL
SCALE:	AS SHOWN	RELEASED FOR CONSTRUCTION BY:	R. SOROKOWSKI
NO. REVISIONS		DATE	2006/06/16
		DATE	2006/08/30

CH2M HILL
Frederickson Cooper ARCHITECTS

EarthTech
A Tetra International Ltd. Company

ENGINEER'S SEAL
ORIGINAL SIGNED BY
A. POCHANART
2006/08/30

CONSULTANT DRAWING NO.
WG-S0201

THE CITY OF WINNIPEG
WATER AND WASTE DEPARTMENT
ENGINEERING DIVISION

WATER TREATMENT PLANT
STANDBY POWER GENERATOR

STRUCTURAL
FLOOR PENETRATIONS PLAN
BUILDING SECTIONS

CITY FILE NUMBER
SHEET OF

CITY DRAWING NUMBER
1-0601G-A-S0201-001-000