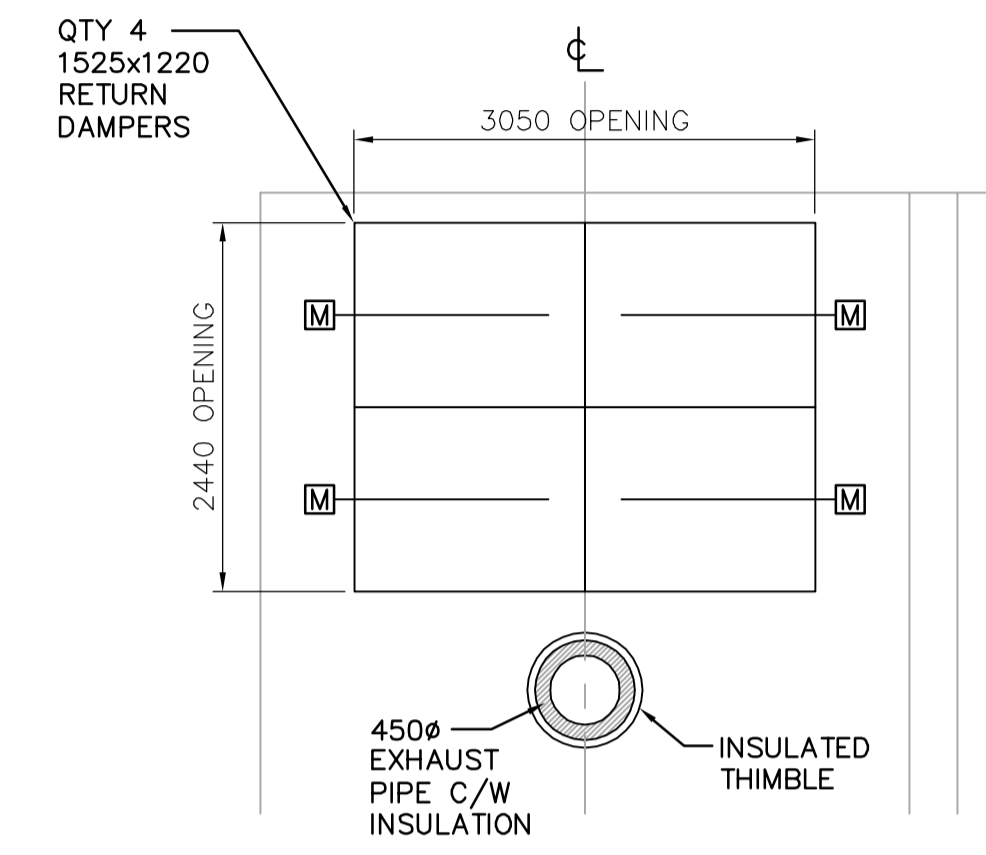


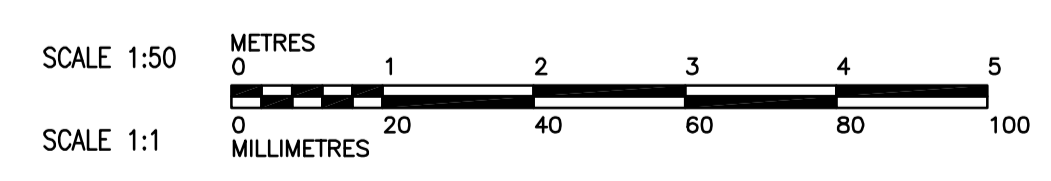
G SECTION
WG-H0120 1:50



H SECTION (TYPICAL FOR RETURN DAMPERS)
WG-H0120 1:50

- DRAWING NOTES**
- 13mm SQUARE WIRE MESH WELDED TO END.
 - EXHAUST PIPE AND MUFFLER INSULATION SUPPLIED BY DIVISION 15 CONTRACTOR.
 - CONDENSATE DRAIN PIPE FROM GENERATOR EXHAUST MUFFLER C/W A BALL VALVE TO PAIL ON FLOOR, INCLUDING 5 GALLON PLASTIC PAILS IN CONTRACT (TYPICAL 3).

- GENERAL NOTES**
- COORDINATE WITH OTHER TRADES SO AS TO PREVENT CONFLICTS.
 - ALL DUCTWORK SHALL BE SUPPORTED AND SUSPENDED AS PER SPECIFICATIONS AND LOCAL CODES (SEE DETAILS).



B.M. ELEV.					
00	ISSUED FOR TENDER	06/08/28	LJW		
NO.	REVISIONS	DATE	BY	DATE	2006/05/29



ENGINEER'S SEAL
ORIGINAL SIGNED BY
A. BURACHYNSKY
2006/08/30
CONSULTANT DRAWING NO.
WG-H0204

THE CITY OF WINNIPEG
WATER AND WASTE DEPARTMENT
ENGINEERING DIVISION

WATER TREATMENT PLANT
STANDBY POWER GENERATOR

CITY FILE NUMBER
SHEET OF

MECHANICAL
VENTILATION SECTIONS

CITY DRAWING NUMBER
1-0601G-A-H0204-001-000