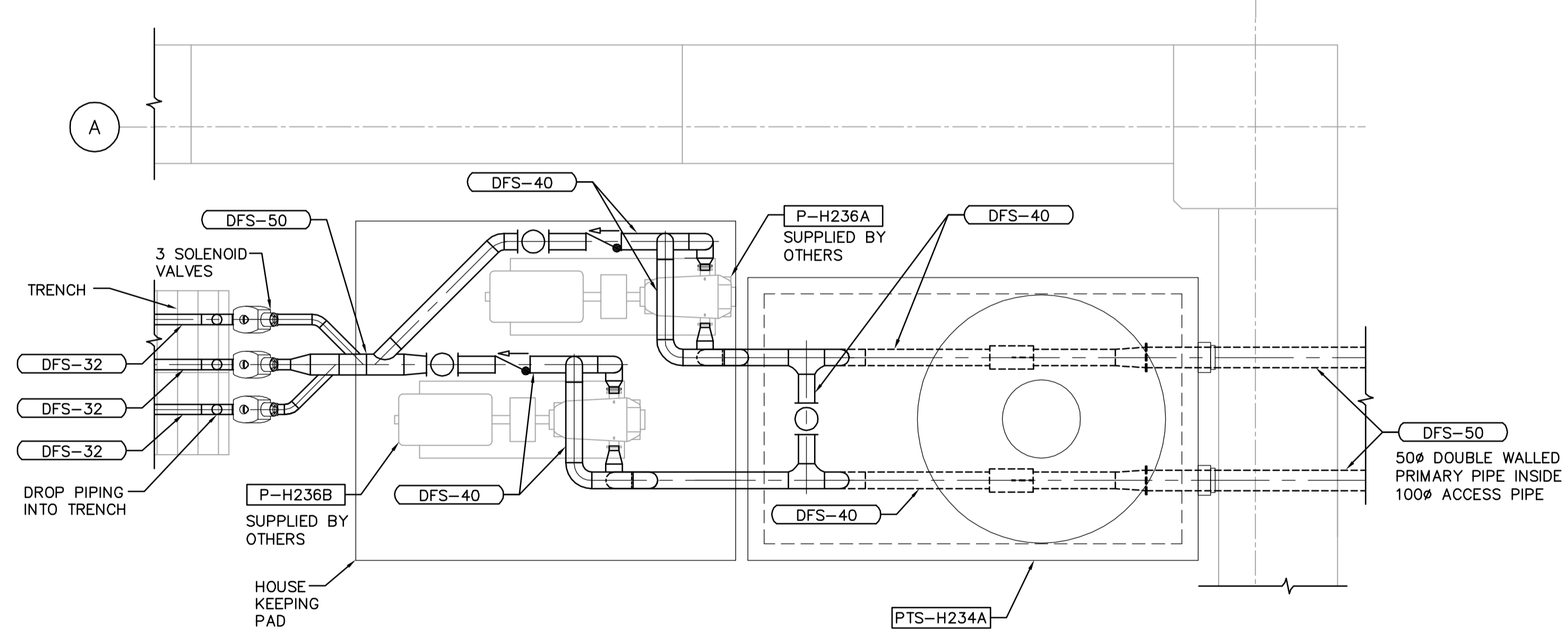
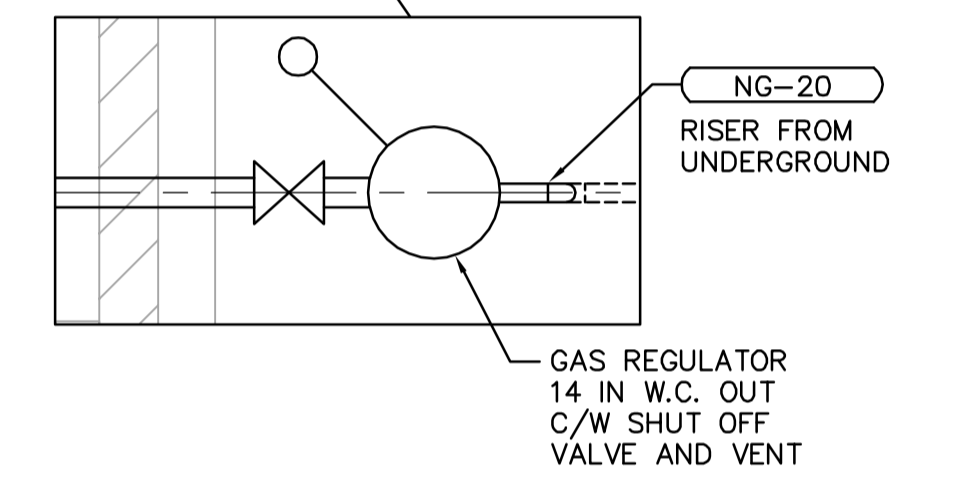
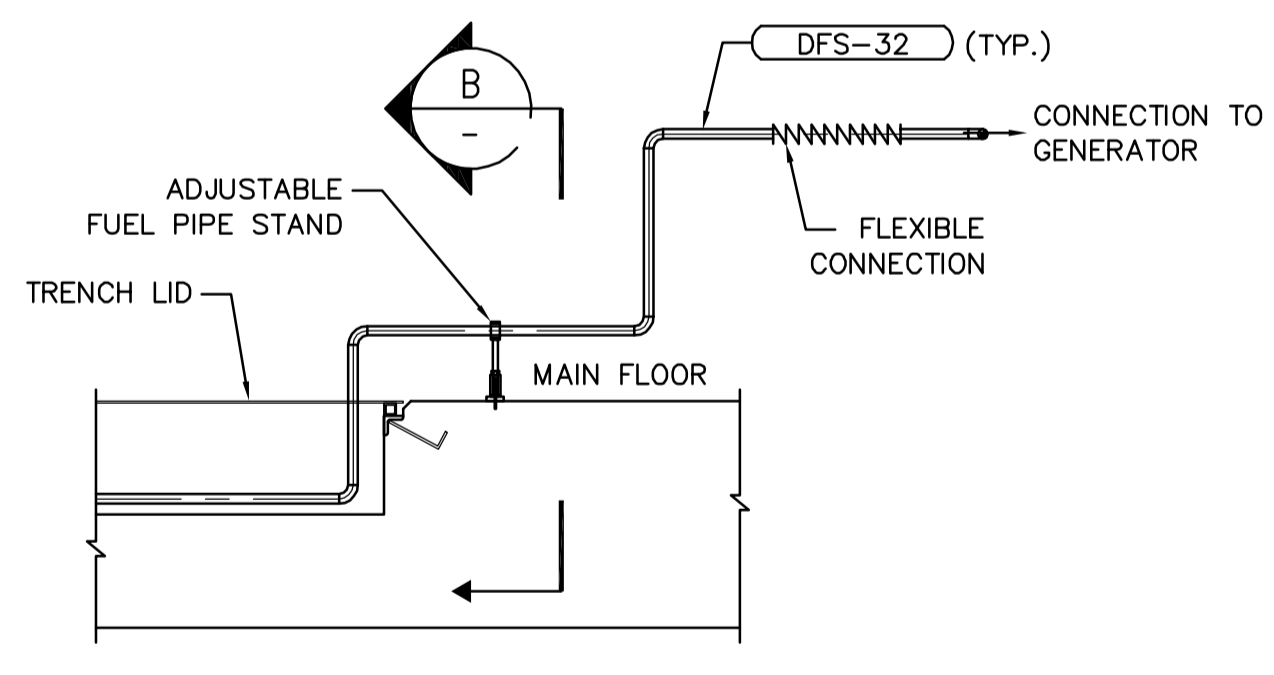


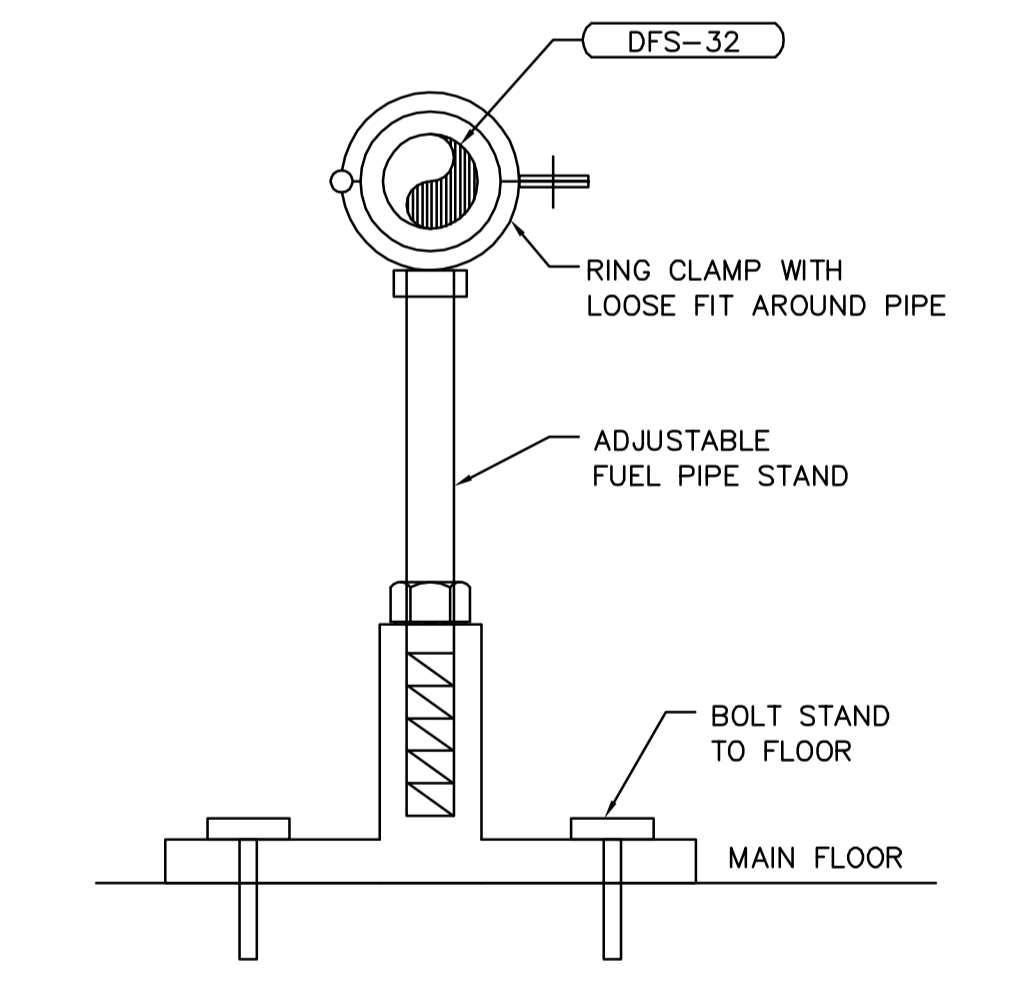
1 MAIN FLOOR PLUMBING PLAN
1:100



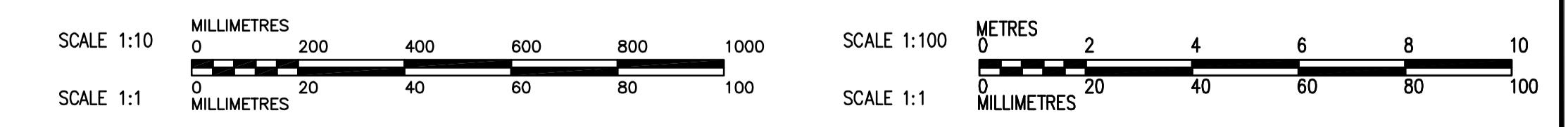
3 FUEL PUMPS AND FUEL DISPENSER SUMP DETAIL
1:10



A SECTION (TYP. 3)
1:20



B SECTION-TYPICAL FUEL PIPE STAND DETAIL
1:2



B.M. ELEV.					ENGINEER'S SEAL ORIGINAL SIGNED BY A. BURACHYNSKY 2006/08/30	THE CITY OF WINNIPEG WATER AND WASTE DEPARTMENT ENGINEERING DIVISION	WATER TREATMENT PLANT STANDBY POWER GENERATOR	CITY FILE NUMBER
	DESIGNED BY AB	CHECKED BY AMA, PVL	DRAWN BY DJP	APPROVED BY AHL				SHEET OF
00 ISSUED FOR TENDER	06/08/28	LJW	SCALE: AS NOTED	RELEASED FOR CONSTRUCTION BY: R. SOROKOWSKI	CONSULTANT DRAWING NO. WG-H0110	MECHANICAL PIPING PLAN MAIN LEVEL PLAN	CITY DRAWING NUMBER 1-0601G-A-H0110-001-000	
NO. REVISIONS	DATE	BY	DATE	DATE	DATE			