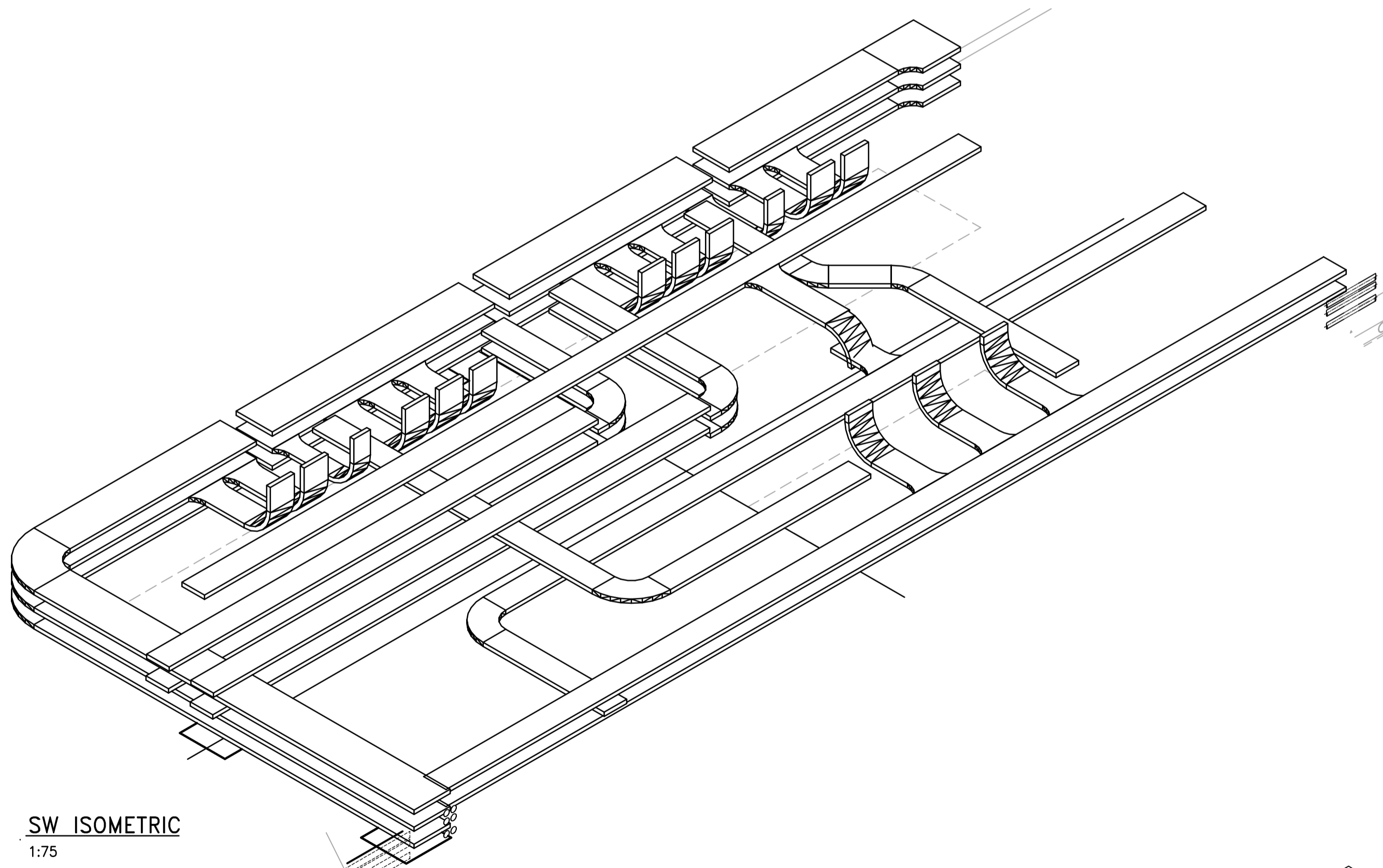






SE ISOMETRIC
1:100



SW ISOMETRIC
1:75

 Certificate of Authorization Earth Tech Canada Inc. No. 730 Expiry: April 30, 2007	B.M. ELEV.	 Frederickson Cooper ARCHITECTS	 A Tyco International Ltd. Company	ENGINEER'S SEAL	 THE CITY OF WINNIPEG WATER AND WASTE DEPARTMENT ENGINEERING DIVISION	CITY FILE NUMBER			
				DESIGNED BY BLM		CHECKED BY PS	ORIGINAL SIGNED BY	SHEET OF	
				DRAWN BY ERC		APPROVED BY AHL	B.L. MOORE	2006/08/30	CITY DRAWING NUMBER
				SCALE: AS SHOWN		RELEASED FOR CONSTRUCTION BY: R. SOROKOWSKI	CONSULTANT DRAWING NO. WG-E0404	WATER TREATMENT PLANT STANDBY POWER GENERATOR GENERATOR BUILDING	1-0601G-A-E0404-001-000
	00 ISSUED FOR TENDER 06/08/30 ERC				ELECTRICAL CRAWLSPACE CABLE TRAY DETAILS				
	NO. REVISIONS DATE BY	DATE 2006/06/13	DATE 2006/08/30						