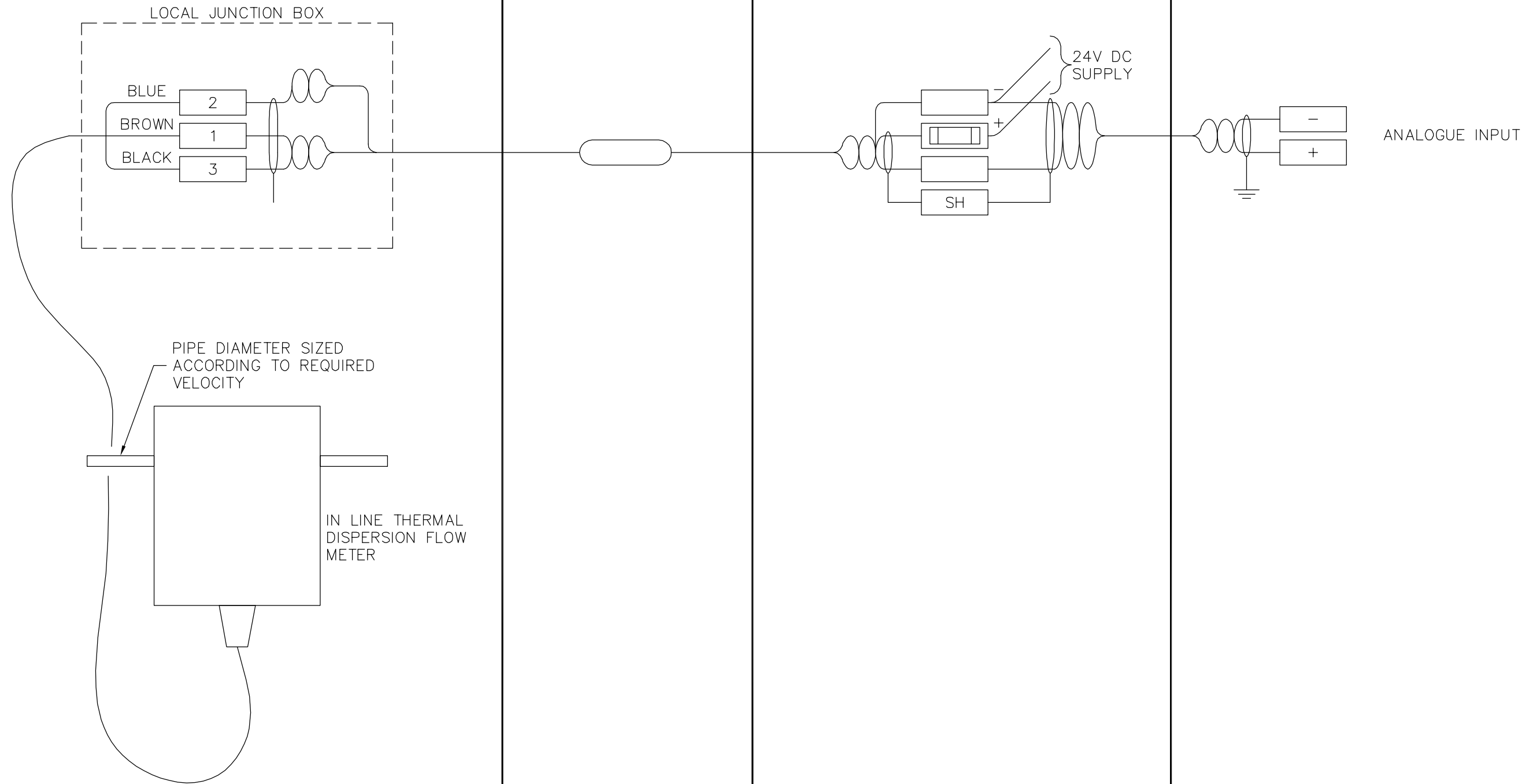


**INSTRUMENT CONNECTIONS**

**CONTROL PANEL**

**FIELD CABLE TERMINALS**

**PLC SECTION**



**APEGA**  
 Certificate of Authorization  
 Earth Tech Canada Inc.  
 No. 730 Expiry: April 30, 2006

B.M. ELEV.			
00	ISSUED FOR TENDER	06/03/29	GLG
NO.	REVISIONS	DATE	BY
		DATE	2006/01/24
		DATE	2006/03/29



DESIGNED BY	NT	CHECKED BY	SWT
DRAWN BY	GLG	APPROVED BY	AHL
SCALE:	NTS	RELEASED FOR CONSTRUCTION BY:	R. SOROKOWSKI
		DATE	2006/03/29

ENGINEER'S SEAL  
 ORIGINAL SIGNED BY  
 S.W. TORMEY  
 2006/03/29  
 CONSULTANT DRAWING NO.  
 WB-A0456

**THE CITY OF WINNIPEG**  
 WATER AND WASTE DEPARTMENT  
 ENGINEERING DIVISION

WATER TREATMENT PLANT  
 MAIN BUILDING  
 MECHANICAL AND ELECTRICAL

AUTOMATION / I&C  
 TYPICAL THERMAL DISPERSION FLOW METER  
 INSTRUMENTATION LOOP DIAGRAM

CITY FILE NUMBER  
 SHEET OF  
 CITY DRAWING NUMBER  
 1-0601B-H-A0456-001-00B