

FIG. 1 FLANGE-MOUNTED LIQUID LEVEL TRANSMITTER

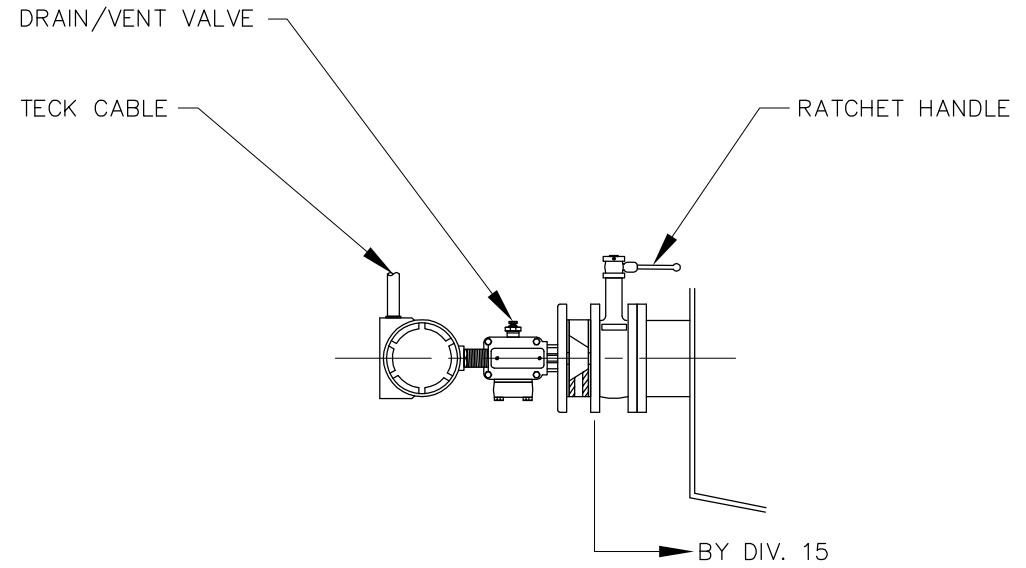


FIG. 2 FLANGE-MOUNTED LIQUID LEVEL TRANSMITTER (MANUAL FLUSH)

<p>APEGM Certificate of Authorization Earth Tech Canada Inc. No. 730 Expiry: April 30, 2007</p>	B.M. ELEV.	<p>CH2M HILL Fredericson Cooper [A S O U I T E C O R P]</p>	<p>EarthTech A Type International Ltd. Company</p>	ENGINEER'S SEAL	<p>THE CITY OF WINNIPEG WATER AND WASTE DEPARTMENT ENGINEERING DIVISION</p>																					
				DESIGNED BY: NT		CHECKED BY: SWT	ORIGINAL SIGNED BY: S.W. TORMEY																			
		DRAWN BY: GLG	APPROVED BY: AHL	2006/03/29		WATER TREATMENT PLANT MAIN BUILDING MECHANICAL AND ELECTRICAL																				
	<table border="1"> <tr> <th>NO.</th> <th>REVISIONS</th> <th>DATE</th> <th>BY</th> </tr> <tr> <td>02</td> <td>498-2006 ISSUED FOR TENDER</td> <td>06/09/05</td> <td>LAE</td> </tr> <tr> <td>01</td> <td>ISSUED FOR CONSTRUCTION</td> <td>06/07/28</td> <td>JBC</td> </tr> <tr> <td>00</td> <td>ISSUED FOR TENDER</td> <td>06/03/29</td> <td>GLG</td> </tr> </table>	NO.	REVISIONS	DATE		BY	02	498-2006 ISSUED FOR TENDER	06/09/05	LAE	01	ISSUED FOR CONSTRUCTION	06/07/28	JBC	00	ISSUED FOR TENDER	06/03/29	GLG	SCALE: NTS	RELEASED FOR CONSTRUCTION BY: R. SOROKOWSKI	CONSULTANT DRAWING NO. WB-A0408	<table border="1"> <tr> <td>CITY FILE NUMBER</td> <td></td> </tr> <tr> <td>SHEET OF</td> <td></td> </tr> <tr> <td>CITY DRAWING NUMBER</td> <td>1-0601B-D-A0408-001-02B</td> </tr> </table>	CITY FILE NUMBER		SHEET OF	
NO.	REVISIONS	DATE	BY																							
02	498-2006 ISSUED FOR TENDER	06/09/05	LAE																							
01	ISSUED FOR CONSTRUCTION	06/07/28	JBC																							
00	ISSUED FOR TENDER	06/03/29	GLG																							
CITY FILE NUMBER																										
SHEET OF																										
CITY DRAWING NUMBER	1-0601B-D-A0408-001-02B																									