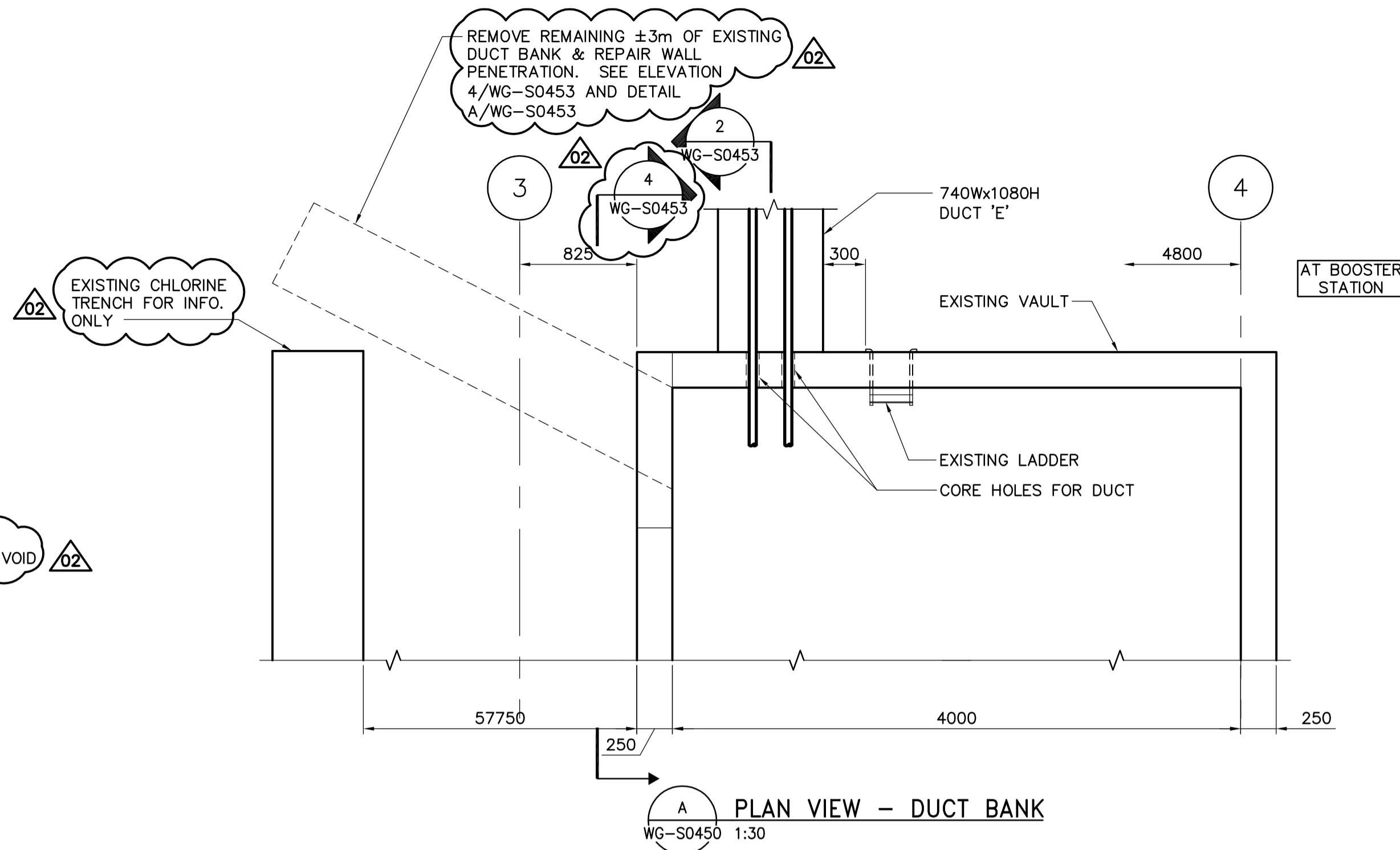
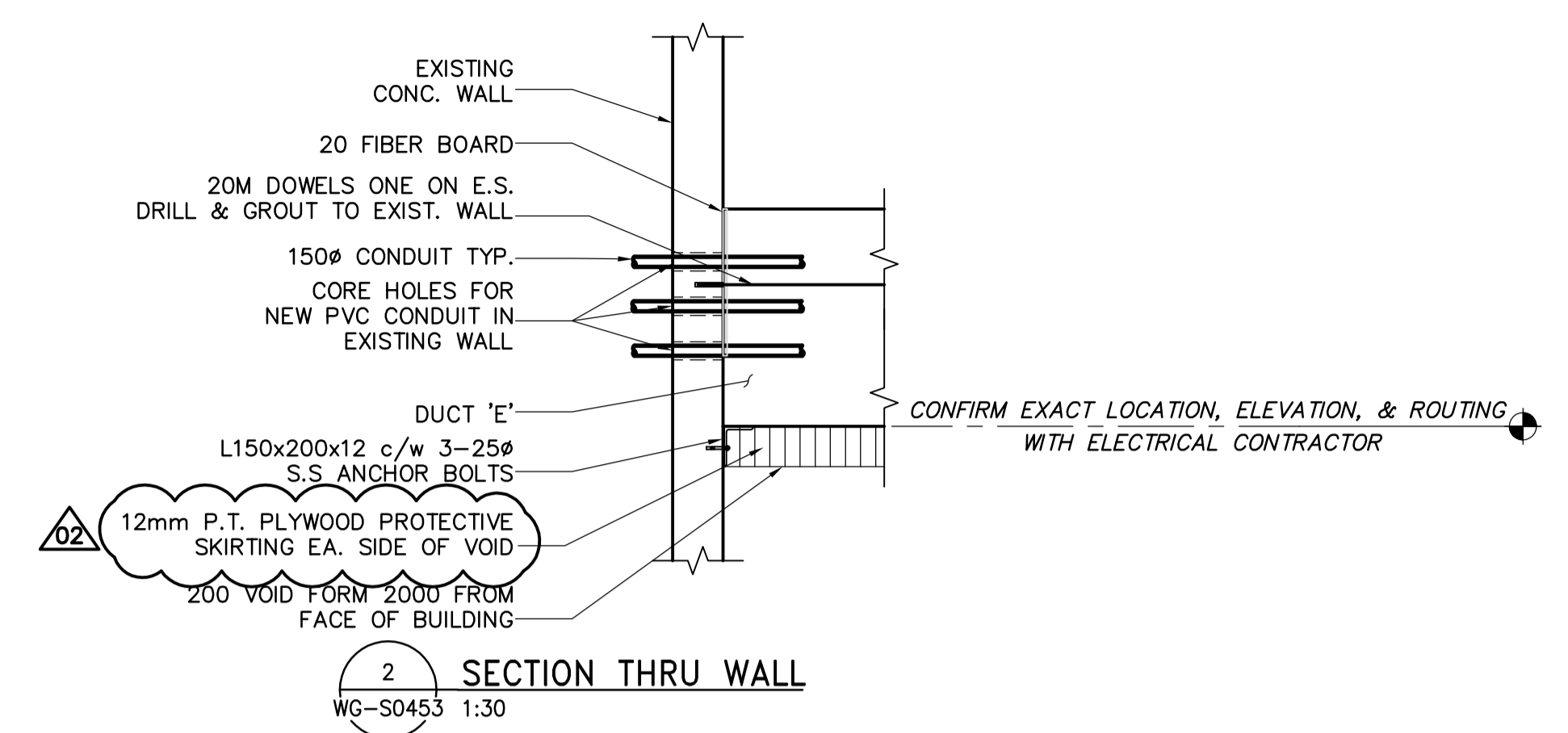


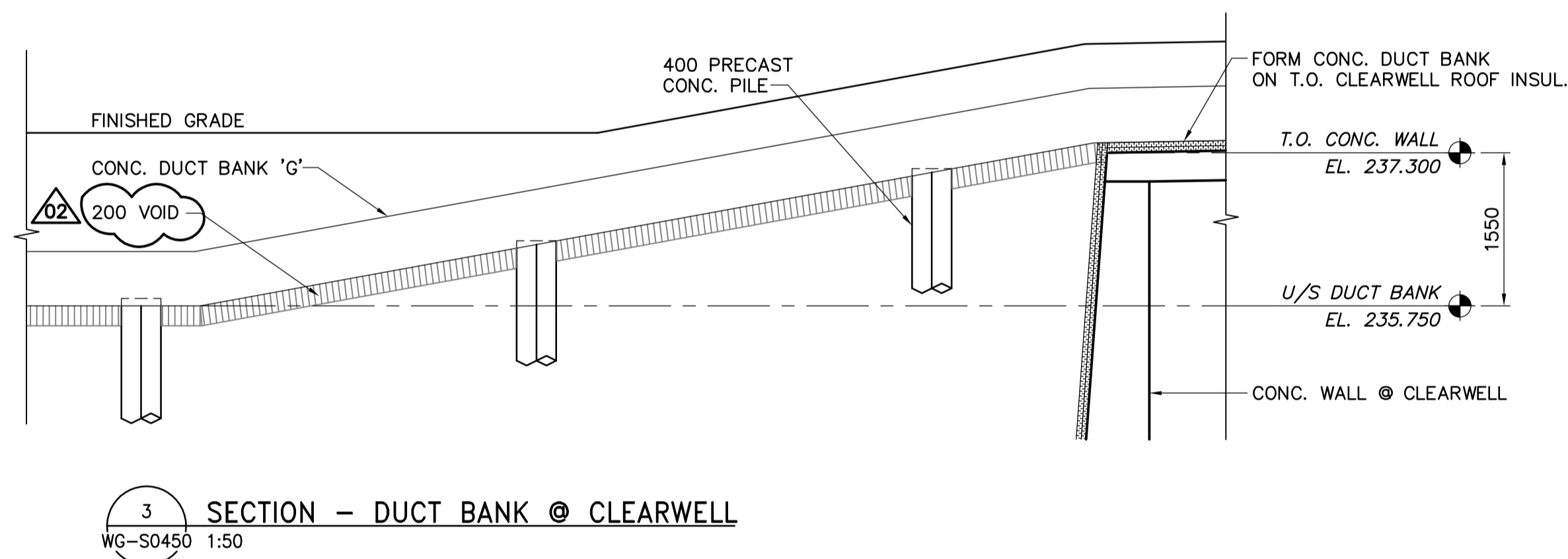
1 SECTION THRU WALL  
WG-S0450 1:30



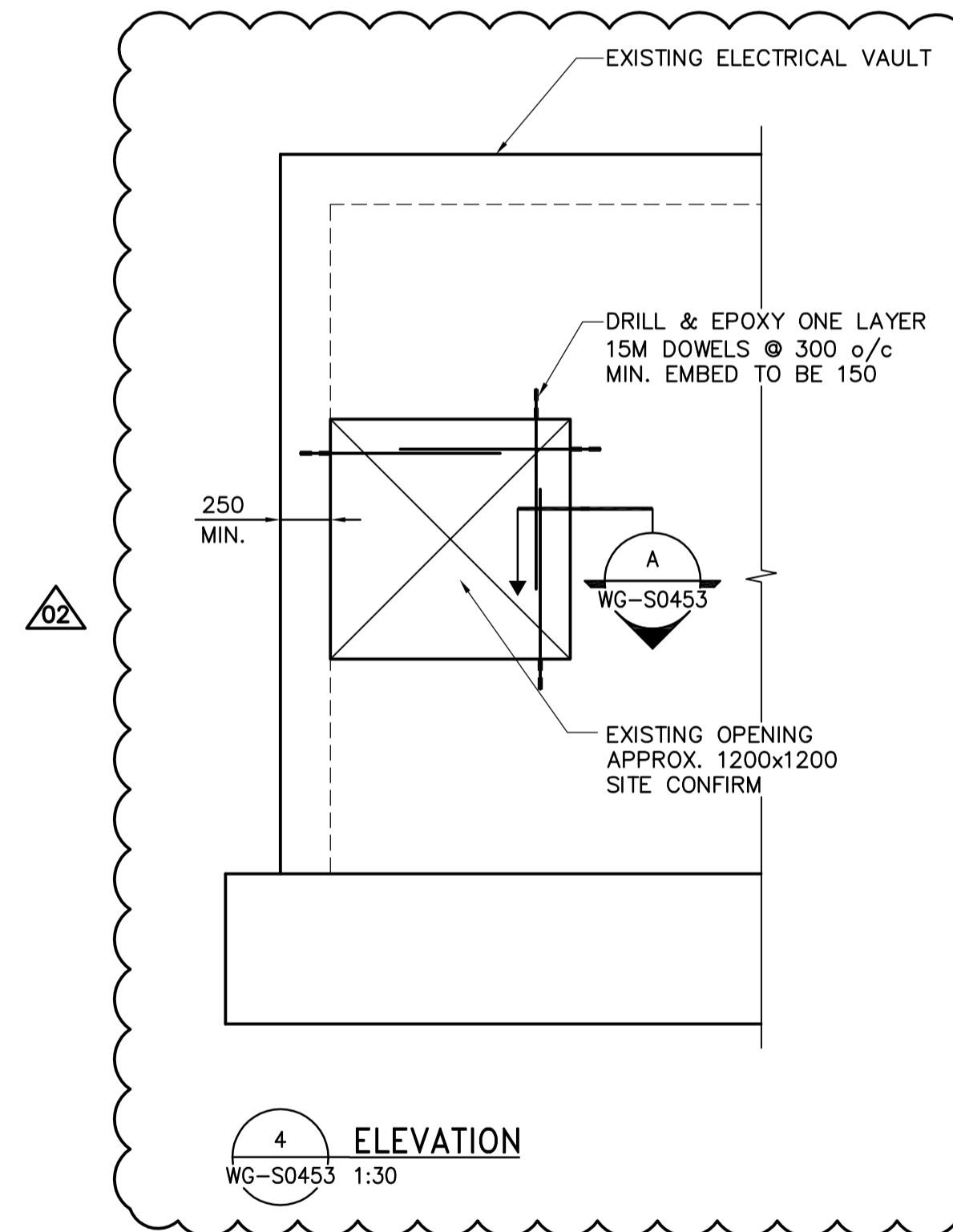
A PLAN VIEW - DUCT BANK  
WG-S0450 1:30



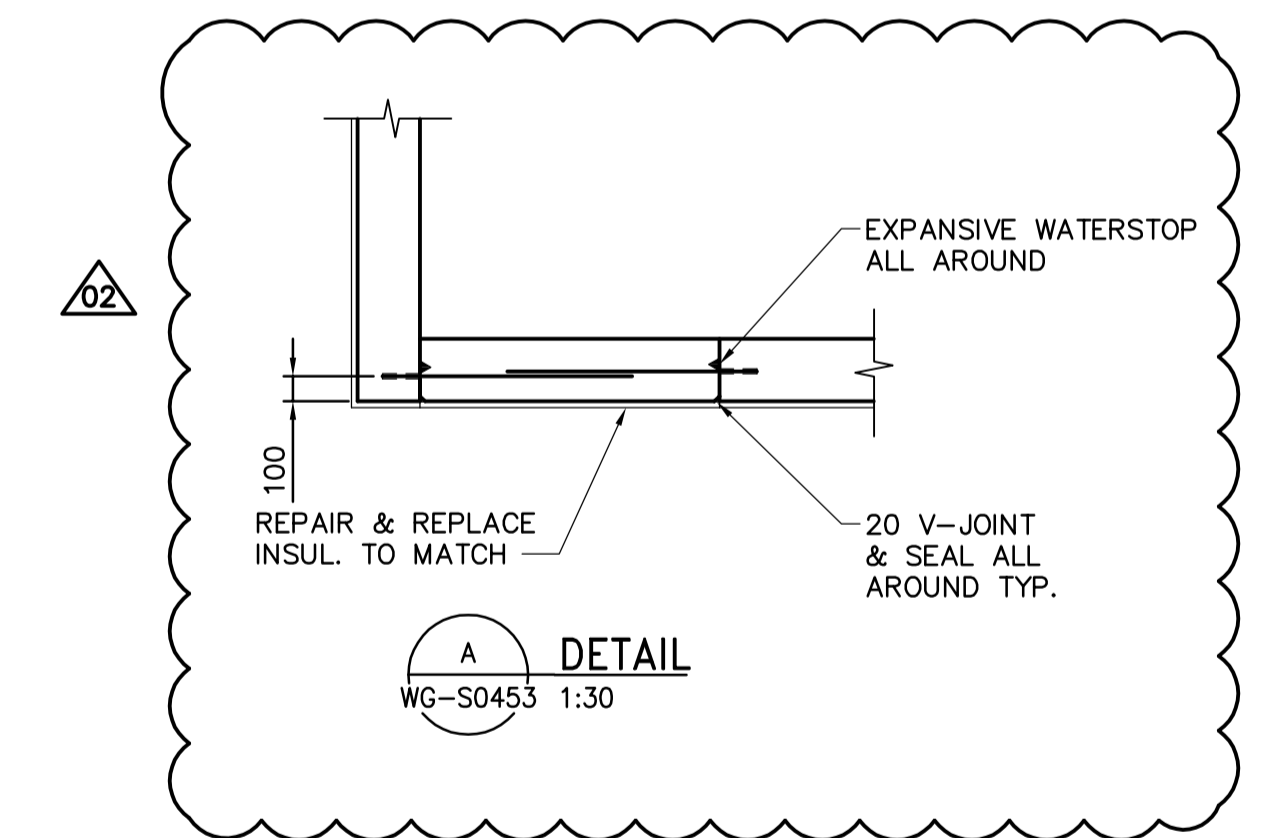
2 SECTION THRU WALL  
WG-S0453 1:30



3 SECTION - DUCT BANK @ CLEARWELL  
WG-S0450 1:50



4 ELEVATION  
WG-S0453 1:30



A DETAIL  
WG-S0453 1:30



B.M. ELEV.					
02	498-2006 ADDENDUM 8	06/10/23	KK		
01	498-2006 ADDENDUM 7	06/10/19	KK		
00	ISSUED FOR TENDER	06/08/28	KK		
NO.	REVISIONS	DATE	BY	DATE	2006/10/19

 Frederickson Cooper ARCHITECTS		 A Type International Ltd. Company	
DESIGNED BY	AP/GGP	CHECKED BY	GGP
DRAWN BY	KK	APPROVED BY	AHL
SCALE:	AS SHOWN	RELEASED FOR CONSTRUCTION BY:	R. SOROKOWSKI
		DATE	2006/08/30

ENGINEER'S SEAL	
ORIGINAL SIGNED BY	A. POCHANART
	2006/08/30
CONSULTANT DRAWING NO.	WG-S0453

 <b>THE CITY OF WINNIPEG</b> WATER AND WASTE DEPARTMENT ENGINEERING DIVISION		CITY FILE NUMBER
WATER TREATMENT PLANT EMERGENCY POWER GENERATOR		SHEET OF
STRUCTURAL DUCT BANK SECTIONS @ BUILDINGS		CITY DRAWING NUMBER 1-0601G-A-S0453-001-02D