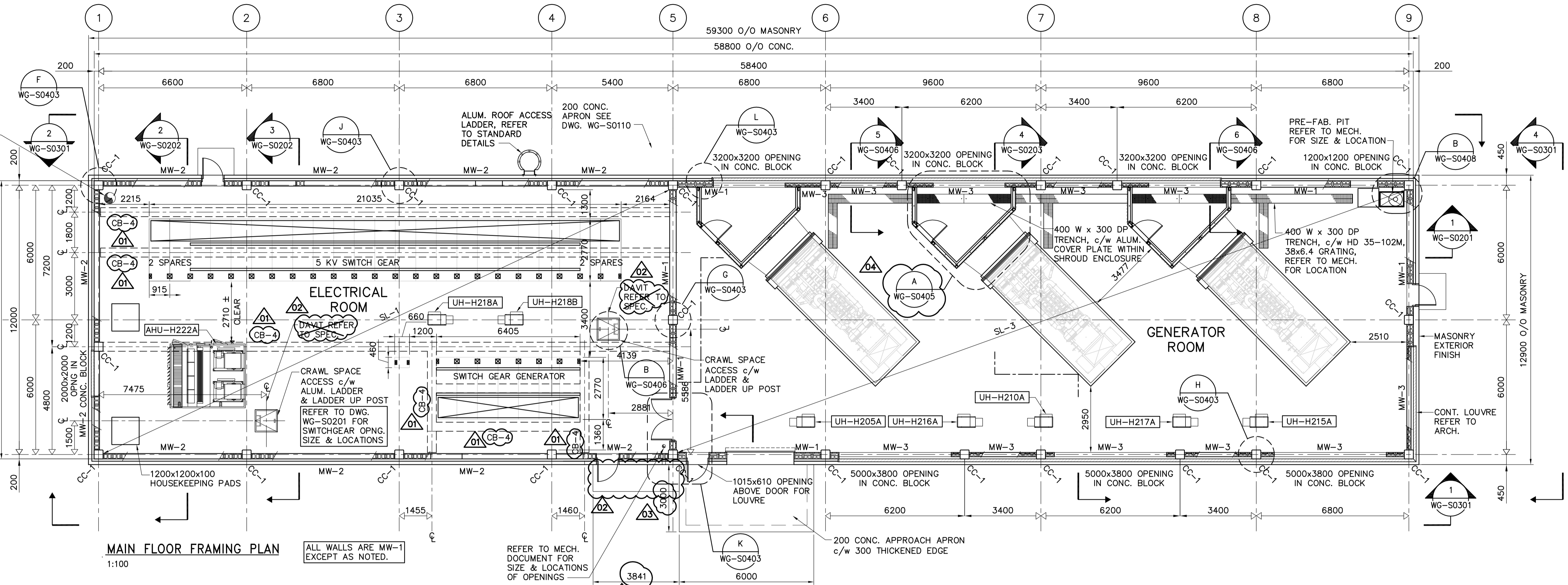


REFER TO MECH. DOCUMENT FOR SIZE & LOCATION OF OPENINGS

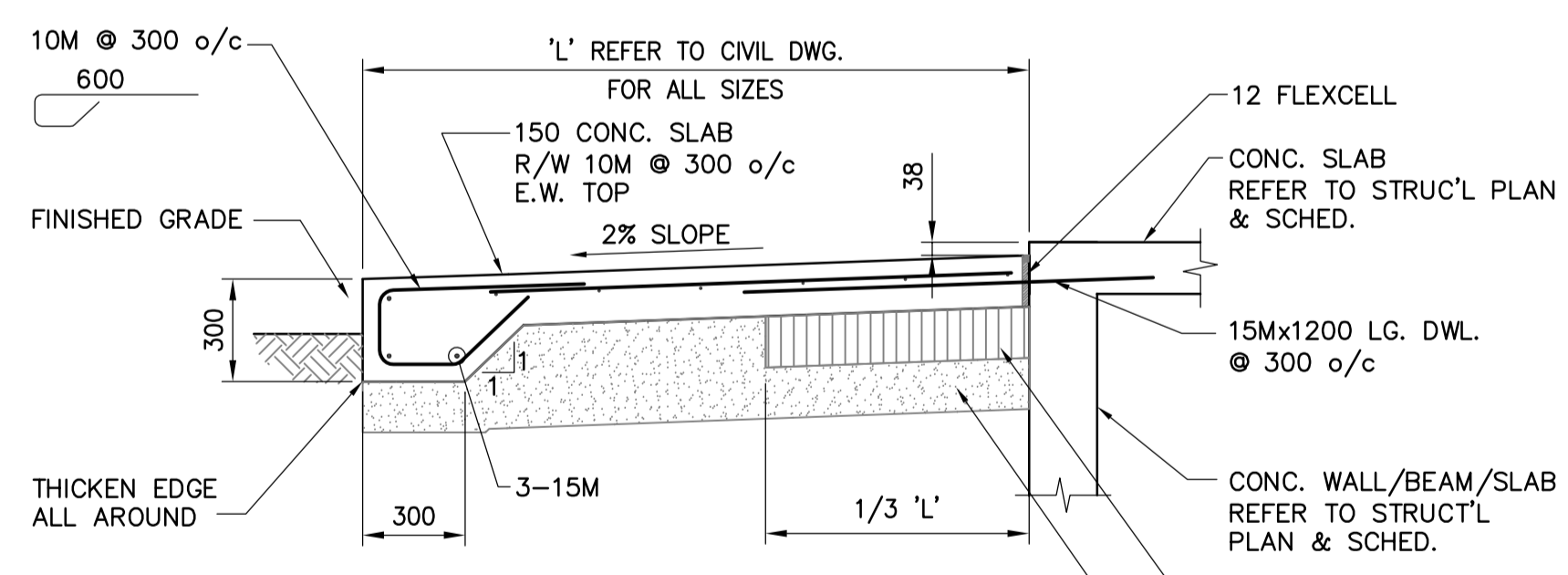


**MAIN FLOOR FRAMING PLAN**  
1:100

ALL WALLS ARE MW-1 EXCEPT AS NOTED.

REFER TO MECH. DOCUMENT FOR SIZE & LOCATIONS OF OPENINGS

DESIGN LOADS:		
<b>ELECTRICAL ROOM</b>		
A.) DEAD LOADS:	.1) STRUCTURE SELF WEIGHT	
	.2) SUPERIMPOSED =	0.75 kPa
	.3) SWITCH GEAR (EACH UNIT) =	1,350 kg
B.) LIVE LOADS:	.1) OCCUPANCY (ELECT., SAMPLE & CONTROL RMS)	4.8 kPa
	.2) OCCUPANCY (BLOWER RM.)	4.8 kPa
C.) CONCENTRATED LOADS:		36 kN
<b>GENERATOR ROOM</b>		
A.) DEAD LOADS:	.1) STRUCTURE SELF WEIGHT	
	.2) SUPERIMPOSED =	0.25 kPa
B.) LIVE LOADS:	.1) OCCUPANCY	4.8 kPa
C.) CONCENTRATED LOADS:		54 kN



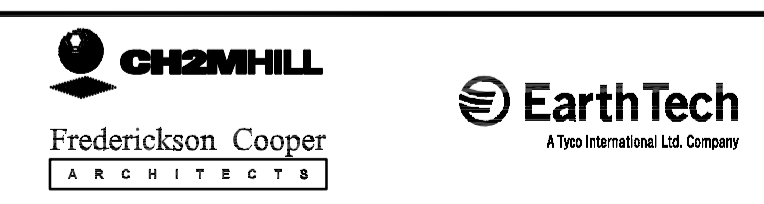
**TYPICAL CONCRETE APRON SLAB @ EXIT DOORS**  
SCALE N.T.S.  
BUILDING SLAB/WALL & BEAM REINFORCING NOT SHOWN FOR CLARITY.



NO.	REVISIONS	DATE	BY
04	498-2006 ADDENDUM 8	06/10/23	KK
03	498-2006 ADDENDUM 5	06/10/13	KK
02	498-2006 ADDENDUM 4	06/10/10	KK
01	498-2006 ADDENDUM 3	06/09/28	KK
00	ISSUED FOR TENDER	06/08/28	KK

DATE	DATE	DATE
2006/06/16	2006/08/30	2006/08/30



ENGINEER'S SEAL  
ORIGINAL SIGNED BY  
A. POCHANART  
2006/08/30  
CONSULTANT DRAWING NO.  
WG-S0110

**THE CITY OF WINNIPEG**  
WATER AND WASTE DEPARTMENT  
ENGINEERING DIVISION

WATER TREATMENT PLANT  
STANDBY POWER GENERATOR

STRUCTURAL  
MAIN FLOOR FRAMING PLAN

CITY FILE NUMBER  
SHEET OF  
CITY DRAWING NUMBER  
1-0601G-A-S0110-001-04D