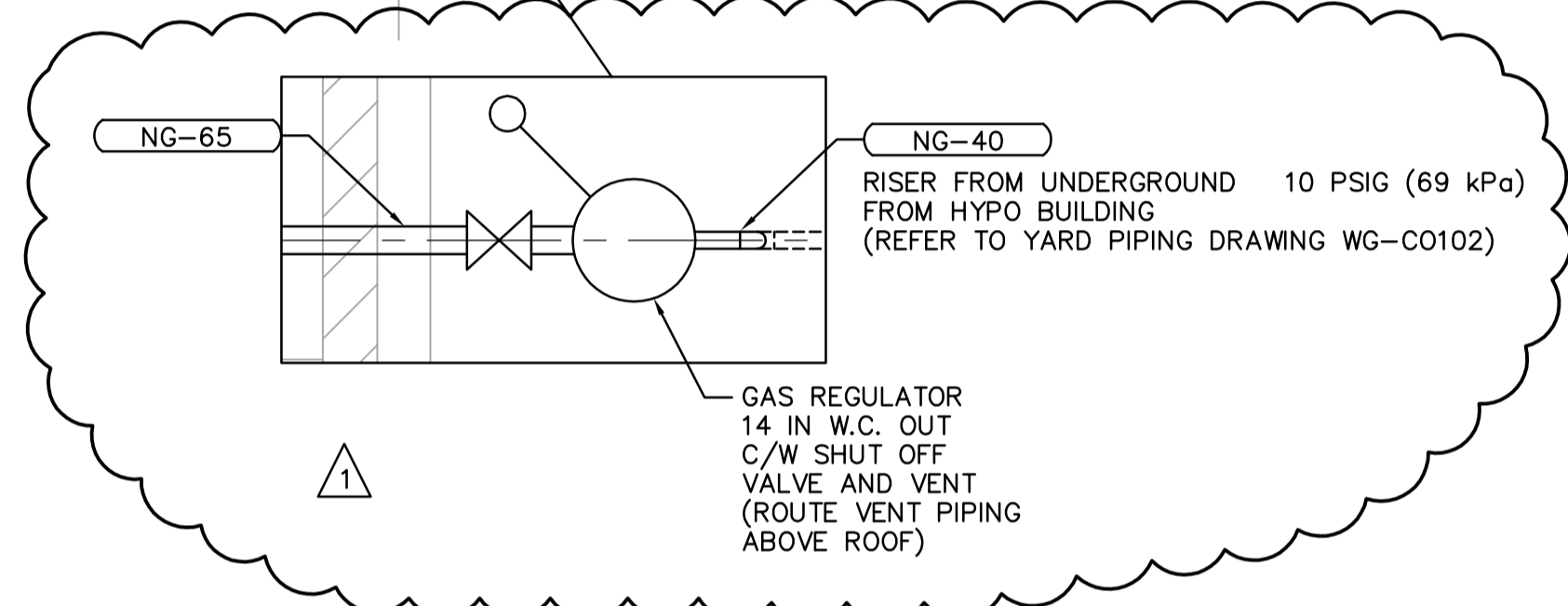
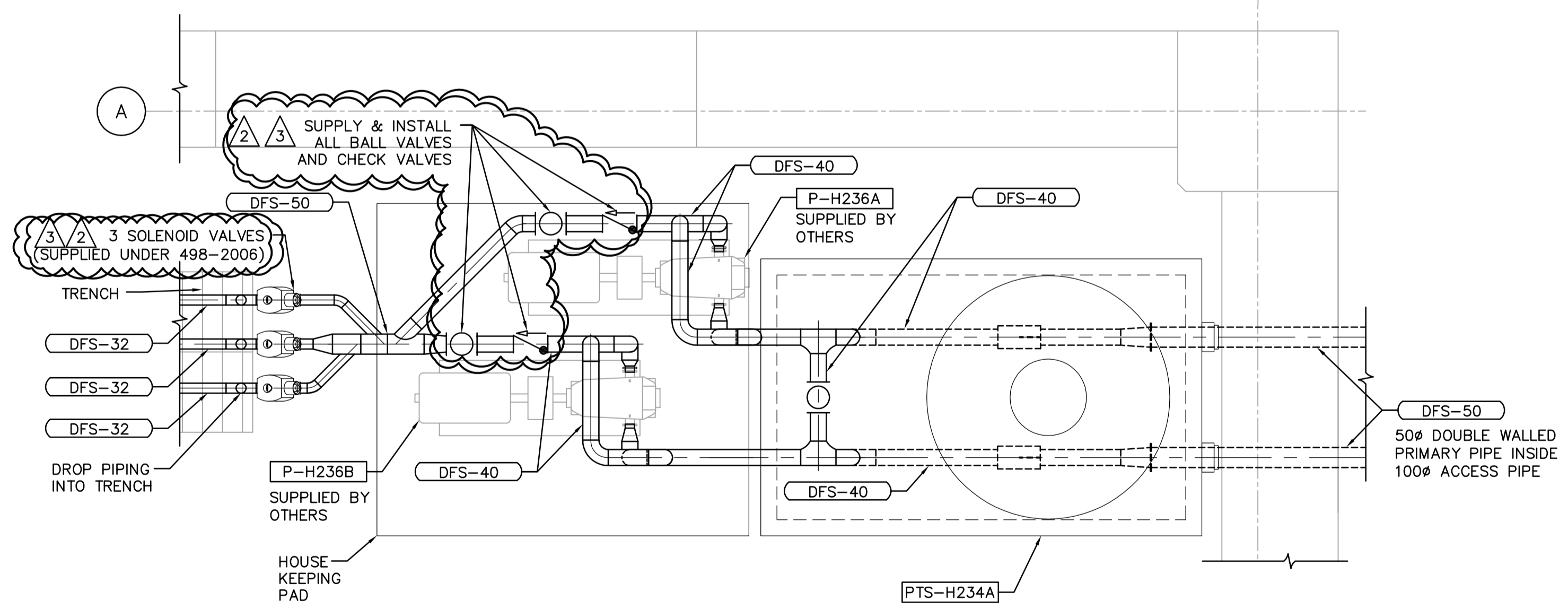


1 MAIN FLOOR PLUMBING PLAN
1:100

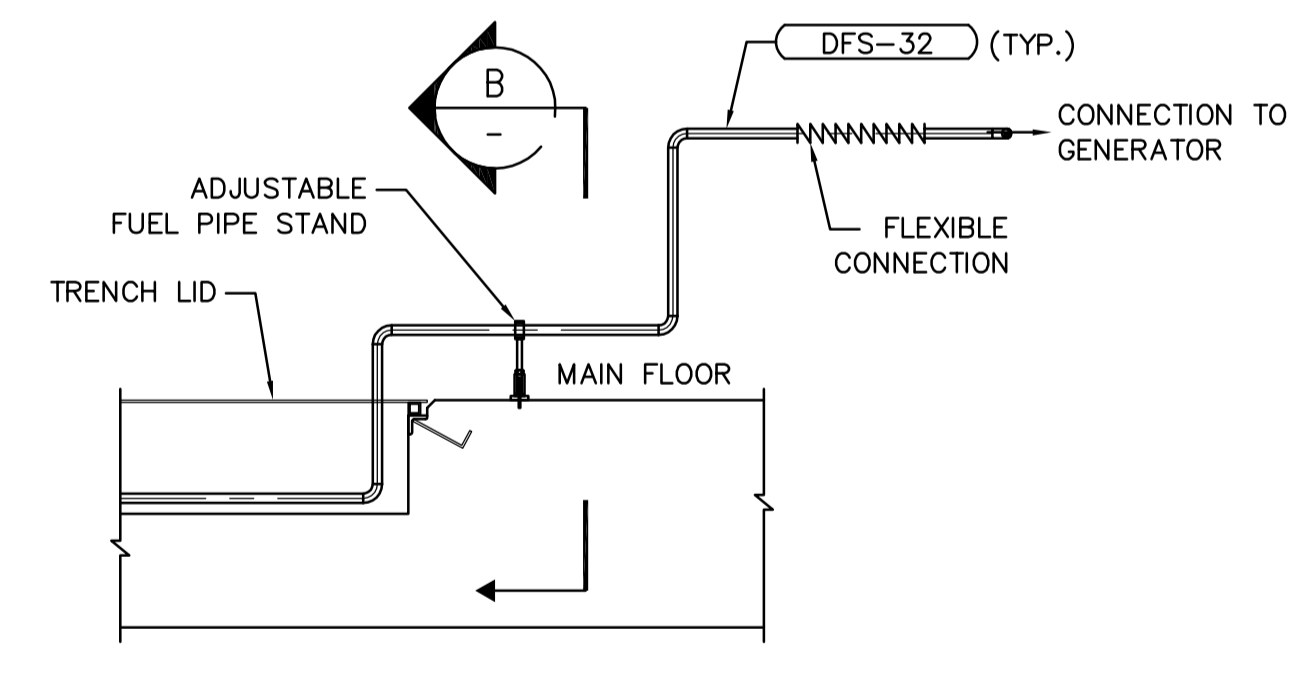
NOTES:
1. FOR EACH PUMP SUPPLY & INSTALL ADDITION BALL VALVE AND STRAINER ON SUCTION SIDE OF PUMPS. NOT SHOWN ON DRAWING.
2. REVIEW GENERATOR AND PUMP PACKAGE SUPPLIED BY OTHERS.



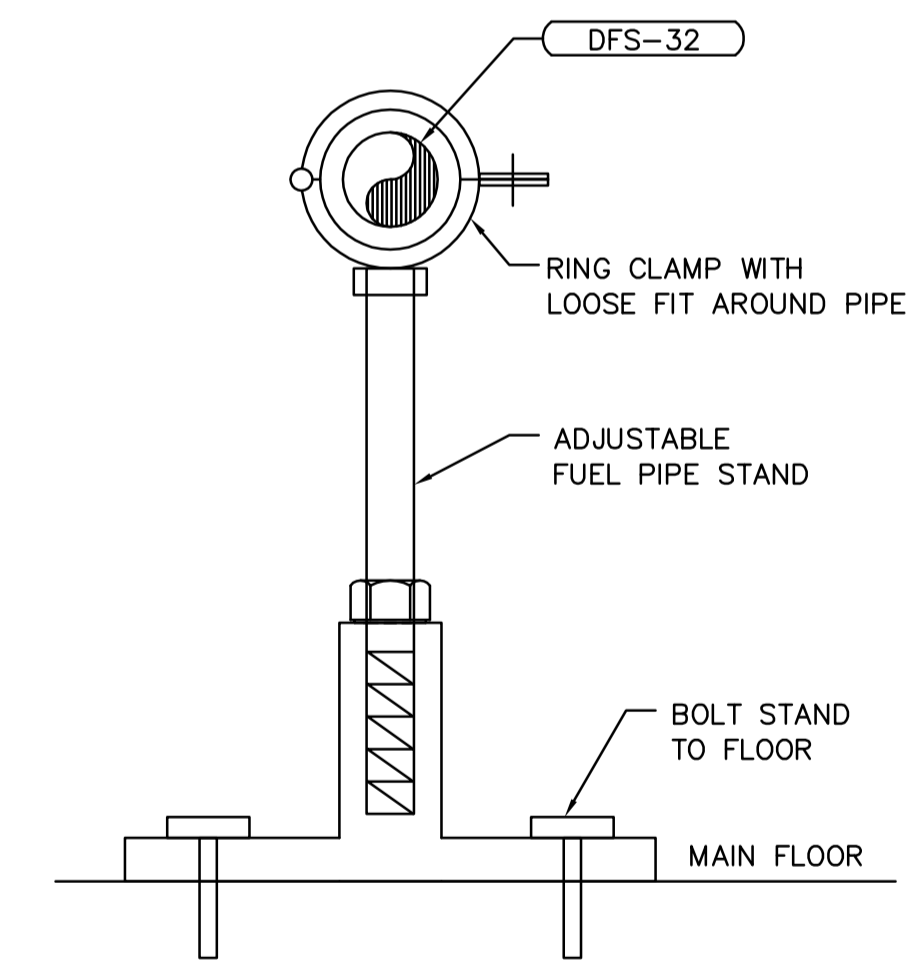
1 GAS REGULATOR 14 IN W.C. OUT C/W SHUT OFF VALVE AND VENT (ROUTE VENT PIPING ABOVE ROOF)



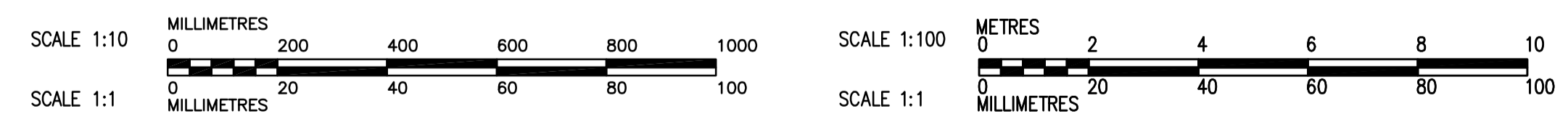
2 FUEL PUMPS AND FUEL DISPENSER SUMP DETAIL
1:10



A SECTION (TYP. 3)
1:20



B SECTION-TYPICAL FUEL PIPE STAND DETAIL
1:2



B.M. ELEV.		 Frederickson Cooper ARCHITECTS		 A Type International Ltd. Company		ENGINEER'S SEAL ORIGINAL SIGNED BY A. BURACHYNSKY 2006/08/30		 THE CITY OF WINNIPEG WATER AND WASTE DEPARTMENT ENGINEERING DIVISION	
DESIGNED BY	AB	CHECKED BY	AMA, PVL	CONSULTANT DRAWING NO.		WG-H0110		CITY FILE NUMBER	
DRAWN BY	DJP	APPROVED BY	AHL	RELEASED FOR CONSTRUCTION BY:		R. SOROKOWSKI		SHEET OF	
SCALE:	AS NOTED	DATE		2006/06/15	DATE		2006/08/30	CITY DRAWING NUMBER	
NO. REVISIONS		DATE			DATE			1-0601G-A-H0110-001-03D	