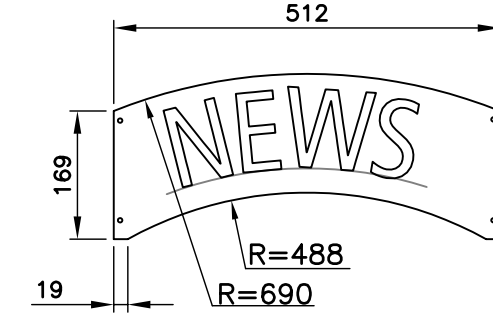
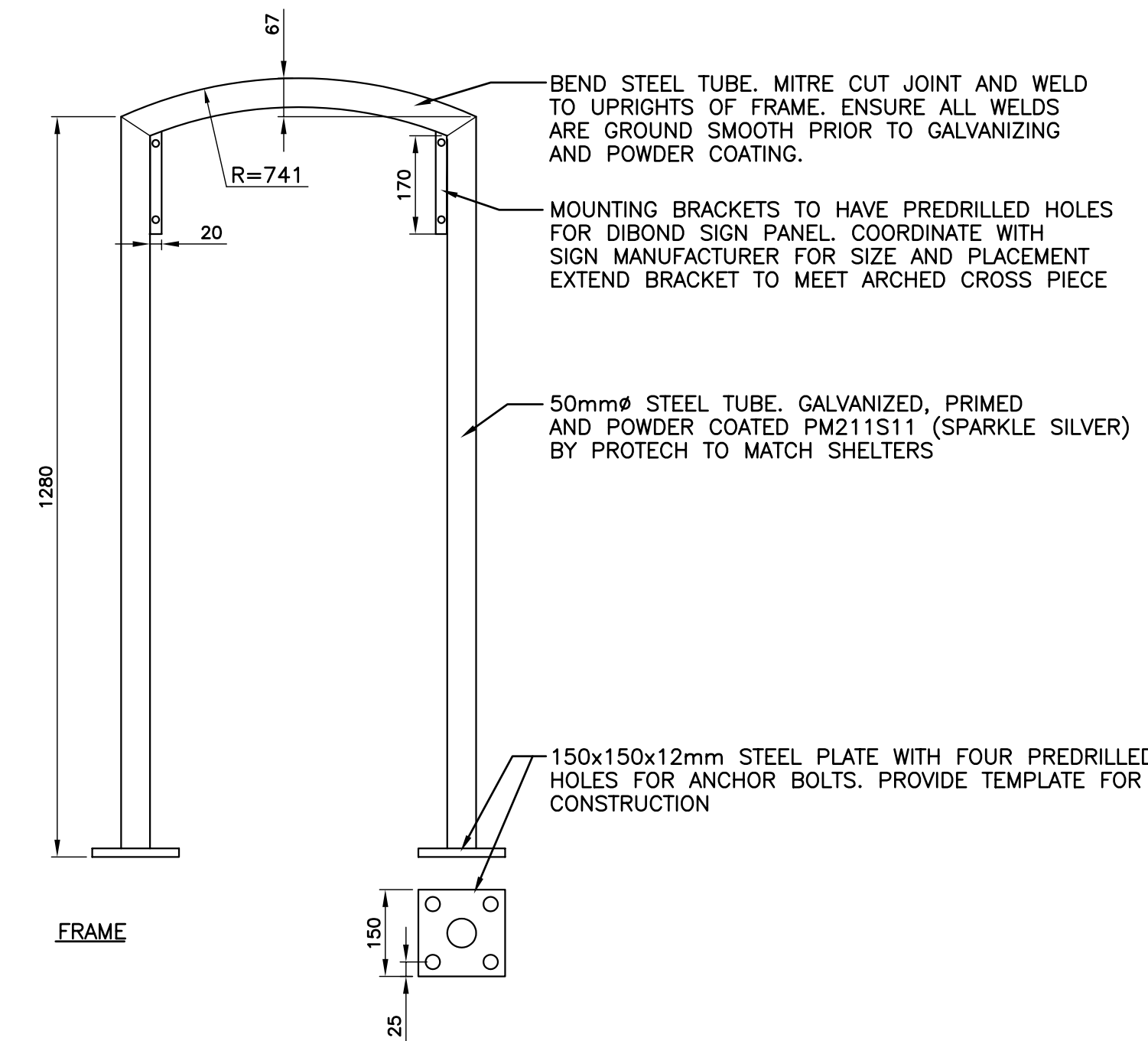
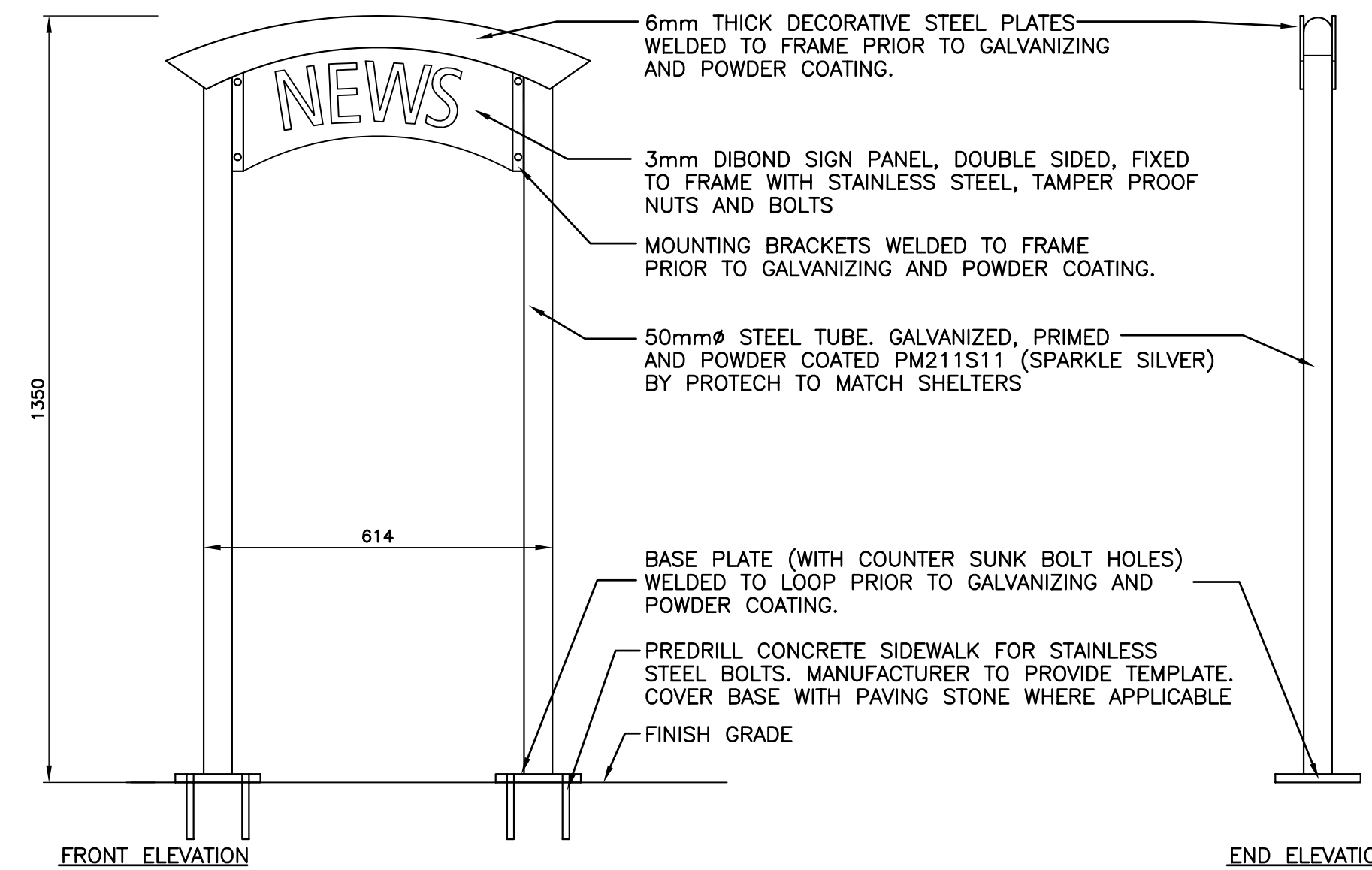


DECORATIVE PANEL

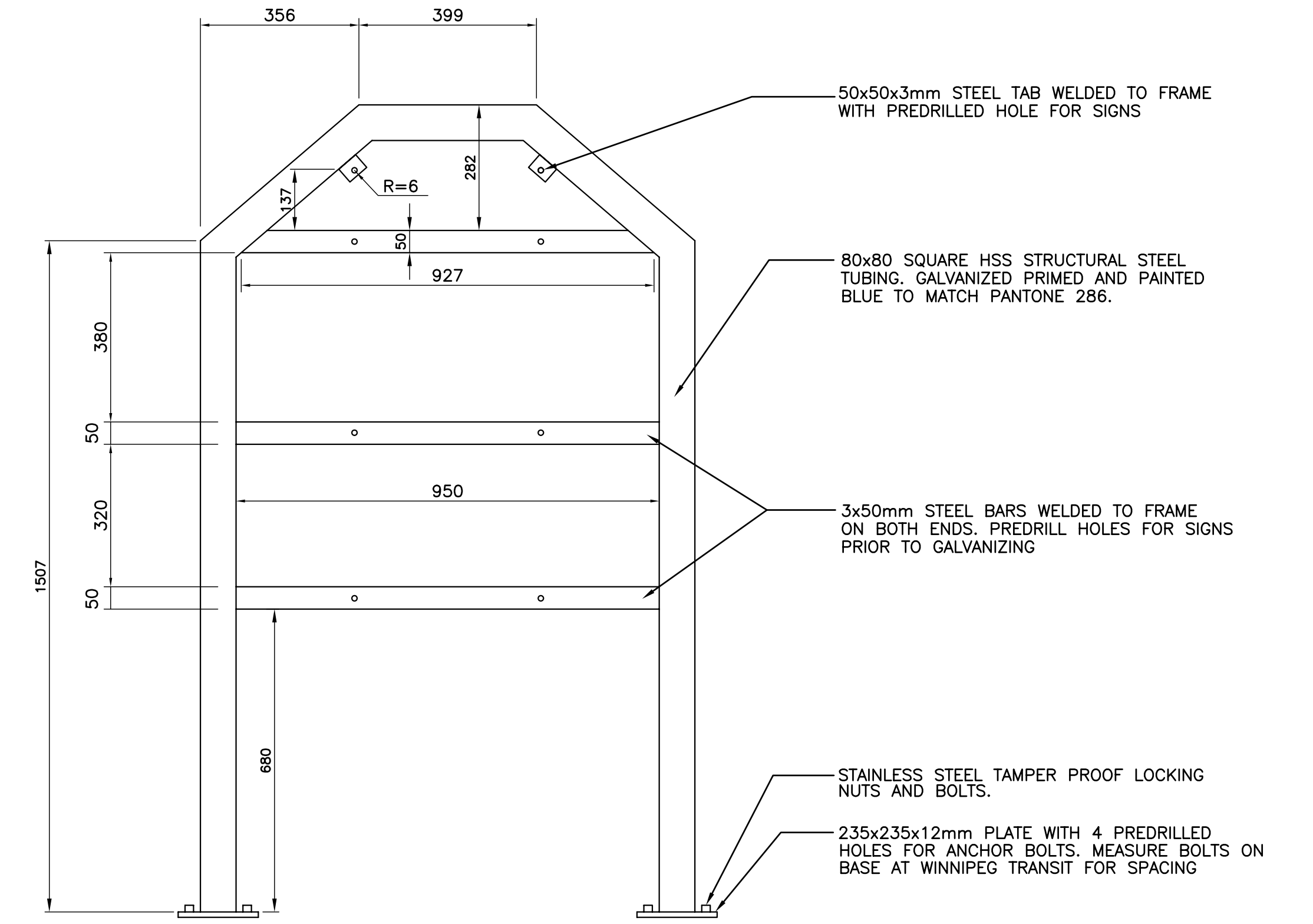


SIGN PANEL (BOTH SIDES)

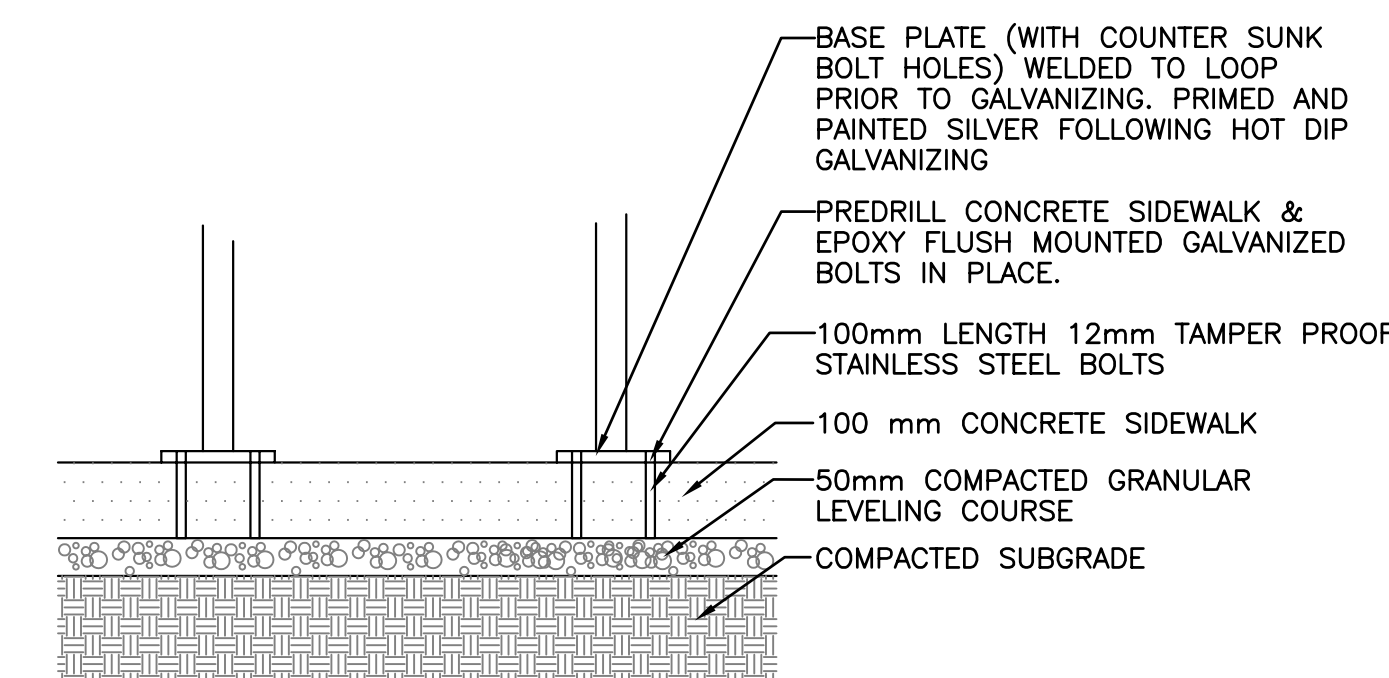
TEXT TO BE FRUTIGER 57 BOLD 100mm HT. ARRAYED ON BOTTOM ARC 30mm FROM BOTTOM EDGE. LETTERING TO BE BLUE TO MATCH PANTONE 286. MANUFACTURER TO PROVIDE PAPER MOCK UP AND PAINT COLOUR SAMPLE PRIOR TO MANUFACTURE.



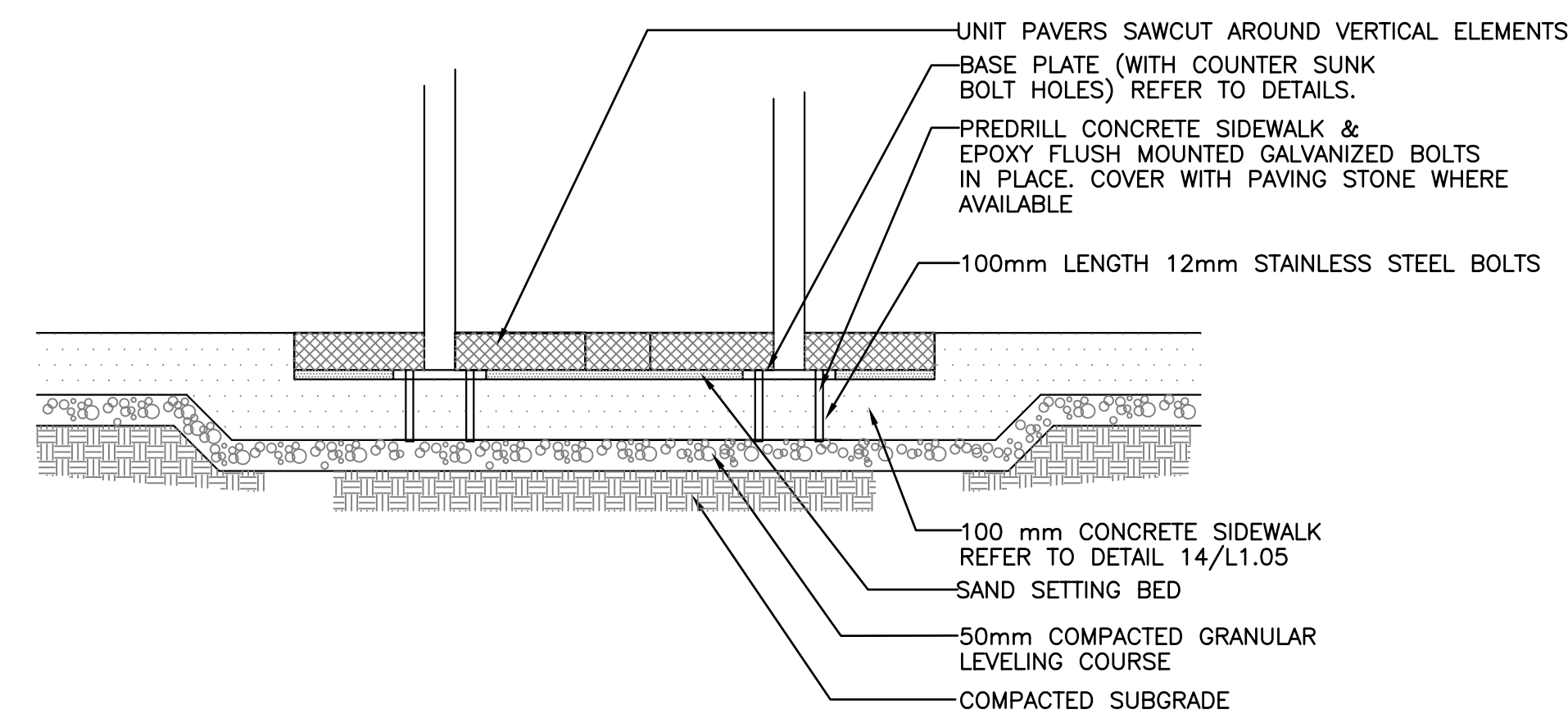
2 NEWSPAPER BOX LOOP
L1.1 1:20



5 PARK AND RIDE INFORMATION KIOSK METAL STRUCTURE
1:20



3 - BICYCLE & NEWSPAPER LOOPS
L1.1 N.T.S.



4 - BICYCLE & NEWSPAPER LOOPS
L1.1 N.T.S.

No.	Revisions	Date	By
	Scale		
	06-07-06	NTS	
Designed By	Drawn By	Checked By	
SR	PR	SR	



Client
WINNIPEG TRANSIT
Project Title
SUPPLY & INSTALLATION OF BIKE LOOPS, NEWSPAPER BOX LOOPS, & COMMUNITY INFORMATION KIOSK

Sheet Title
DETAILS

Project No.
06-017
Drawing No.
L2.2