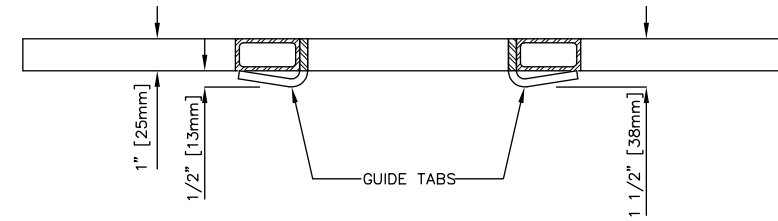


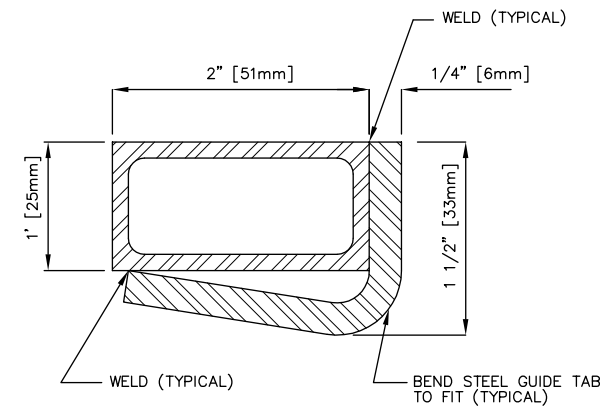
**PLAN VIEW**  
SCALE 3" = 1'-0"

**MODIFICATION TO STANDARD DETAIL**

-DETAILS SHOWN FOR 508 (20") DIA. PILE.  
-CONTRACTOR SHALL USE SIMILAR DETAILS FOR SUPPLYING ANCHOR BOLT TEMPLATE FOR 450 (18") DIA. PILES.



**SECTION A - A**  
SCALE 3" = 1'-0"



**SECTION B - B**  
SCALE 1" = 1"

**NOTES:**

1. ALL WELDS ON TOP & BOTTOM SURFACES SHALL BE CONTINUOUS AND GROUND SMOOTH.
2. IMPERIAL ARE IN WHOLE NUMBERS AND METRIC NUMBERS ARE IN BRACKETS.
3. ANCHOR BOLT TEMPLATES TO BE SUPPLIED BY THE CITY OF WINNIPEG, TRAFFIC SIGNALS.
4. COPIES OF ORIGINAL DRAWINGS AVAILABLE FROM TRAFFIC SIGNALS.

DRAWING REDUCED  
NOT TO SCALE

NO.	REVISIONS	DATE	BY

REFERENCE SPEC. NO.		ENGINEER'S SEAL	
CW 3620			
DESIGNED BY	CHECKED BY		
DRAWN BY <b>lwb</b>	SCALE <b>AS NOTED</b>		
APPROVED BY	DATE		



THE CITY OF WINNIPEG  
WORKS AND OPERATIONS DIVISION  
STREETS AND TRANSPORTATION DEPARTMENT

STANDARD DUTY  
POLE BASE  
ANCHOR BOLT TEMPLATE

SHEET	OF
CAD FILE DRAWING NUMBER	
CITY DRAWING NUMBER	
ST - 117	