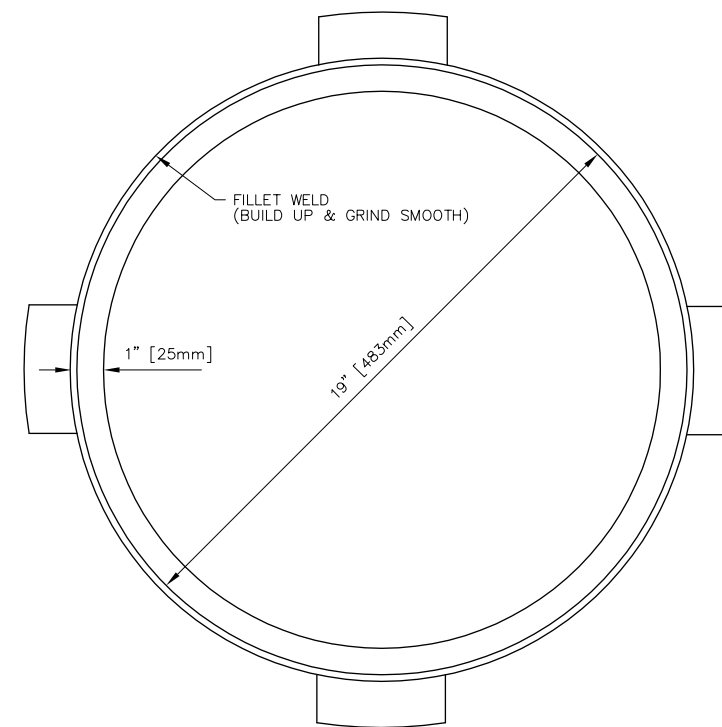
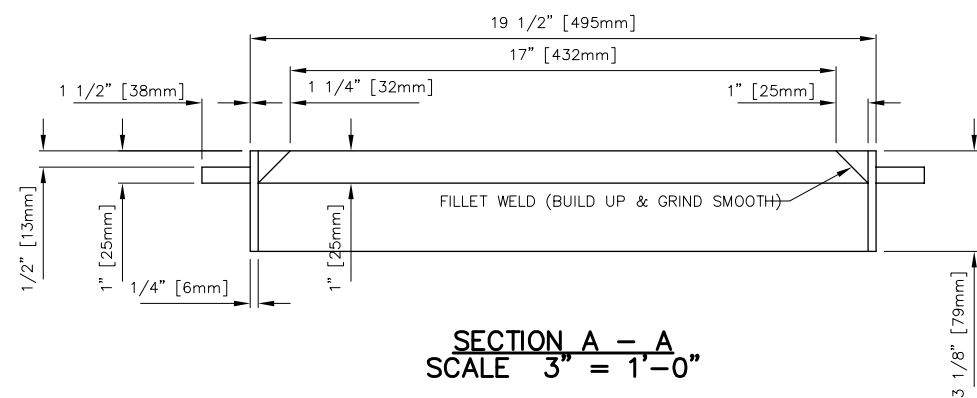


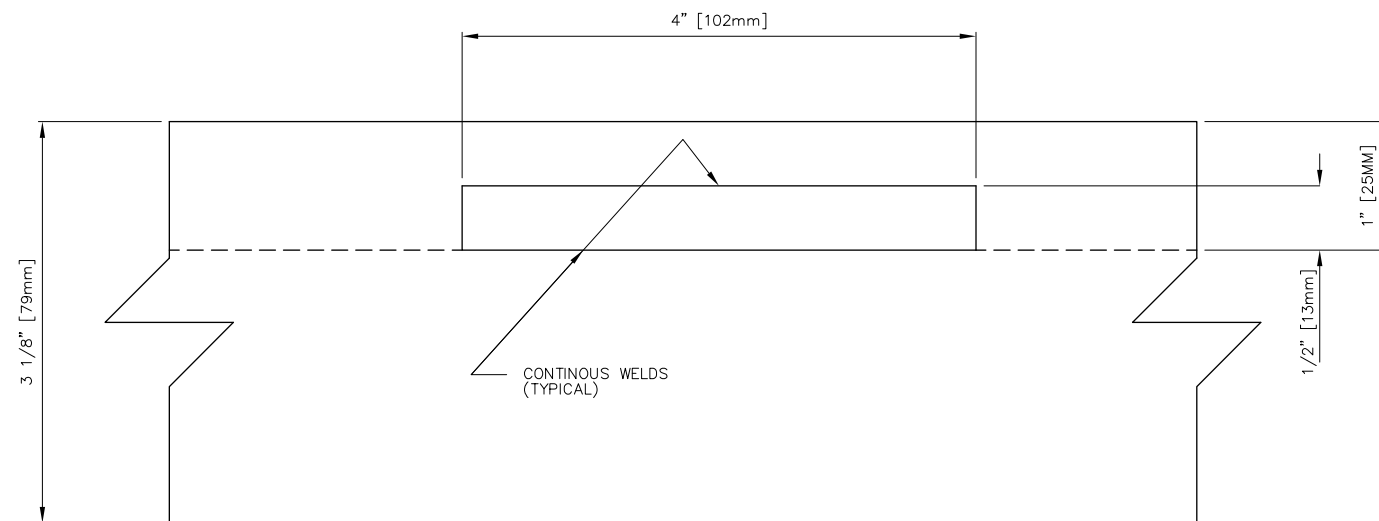
PLAN VIEW
SCALE 3" = 1'-0"



BOTTOM VIEW
SCALE 3" = 1'-0"



SECTION A - A
SCALE 3" = 1'-0"



SECTION B - B
SCALE 1" = 1"

NOTES:

1. TOP RING FORM REQUIRED FOR ST-60 BASE INSTALLATIONS.
2. RING = 1/4" THICK STEEL, HANDLES = 1/2" STEEL.
3. ALL WELDS ON TOP & BOTTOM SURFACES SHALL BE CONTINUOUS AND GROUND SMOOTH.
4. IMPERIAL ARE IN WHOLE NUMBERS AND METRIC NUMBERS ARE IN BRACKETS.
5. TOP RING FORM TO BE SUPPLIED BY CONTRACTOR.
6. COPIES OF ORIGINAL DRAWINGS AVAILABLE FROM TRAFFIC SIGNALS.

MODIFICATION TO STANDARD DETAIL

-DETAILS SHOWN FOR 508 (20") DIA PILE.
-CONTRACTOR SHALL USE SIMILAR DETAILS FOR SUPPLYING A RING FORM FOR 450 (18") DIA PILES.

DRAWING REDUCED
NOT TO SCALE

NO.	REVISIONS	DATE	BY

REFERENCE SPEC. NO.	
CW 3620	
DESIGNED BY	CHECKED BY
DRAWN BY lwb	SCALE AS NOTED
APPROVED BY	
----- DATE	

ENGINEER'S SEAL

THE CITY OF WINNIPEG
WORKS AND OPERATIONS DIVISION
STREETS AND TRANSPORTATION DEPARTMENT

**TOP RING FORM
FOR STANDARD DUTY
TRAFFIC SIGNAL POLE BASE**

SHEET	OF
CAD FILE DRAWING NUMBER	
CITY DRAWING NUMBER	
ST - 116	