

LUMINAIRE SCHEDULE

TYPE	MANUFACTURER	CATALOGUE NUMBER.	LAMPS		VOLTS	MOUNTING	COMMENTS	NOTES
			NO.	TYPE				
A	CROUSE HINDS	EVCX-100W-A19	1	100W A19	120	S/W	CLASS I DIV I HAZARDOUS FIXTURE	
		C/W WIRE GUARD						
B	COOPER	HPWL-70-TT-PCS C/W PHOTOCELL	1	70W HPS	120	S/W	EXTERIOR HPS WALL PACK. C/W INTEGRAL PHOTOCELL MOUNTED ABOVE DOOR.	
	KEENE	553-70-LX-L-120-B C/W PHOTOCELL						

GENERAL NOTES:

1. ALL BALLASTS TO BE ELECTRONIC MANITOBA HYDRO POWER SMART COMPLIANT
2. PROVIDE ALL MOUNTING ACCESSORIES AS REQUIRED.
3. CONTRACTOR MAY SELECT FIXTURES FROM TYPES LISTED IN THE SCHEDULE.

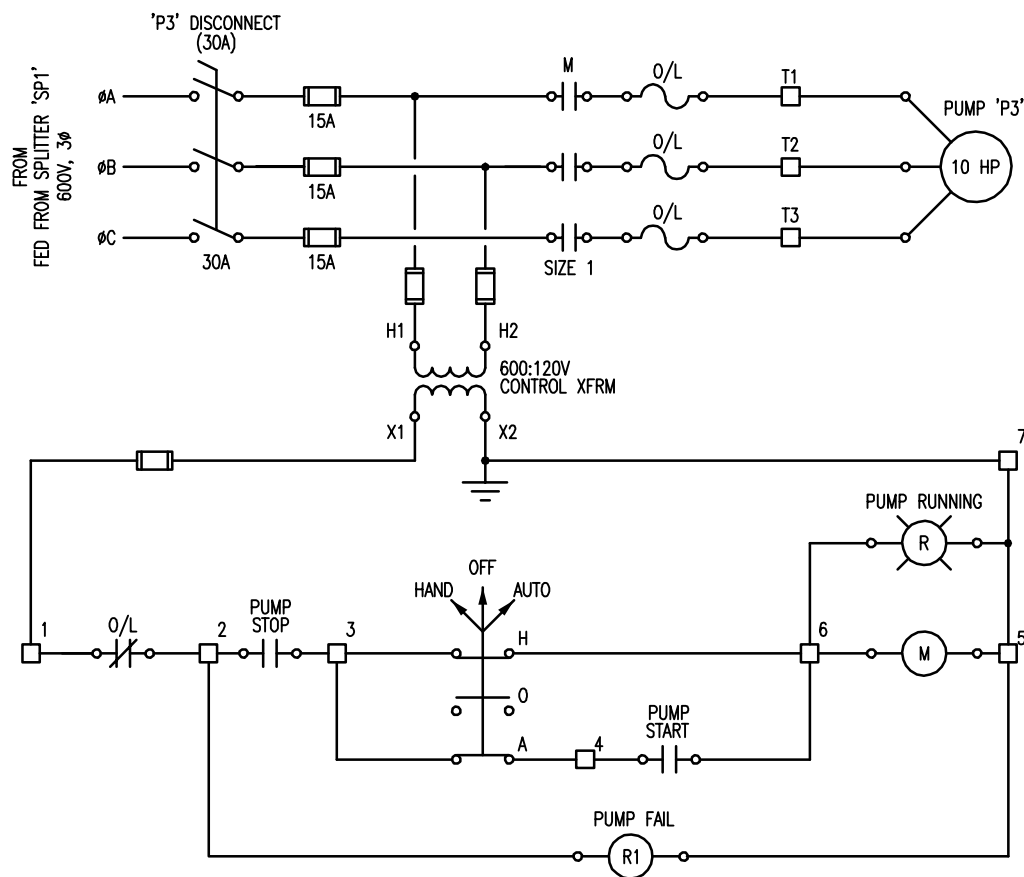
S = SURFACE W = WALL TB = T-BAR
 R = RECESSED V = VALANCE DW = DRYWALL
 C = CEILING P = PENDANT CH = CHAIN
 SH = STEM HUNG IS = INSULATED SOFFIT

GENERAL NOTES

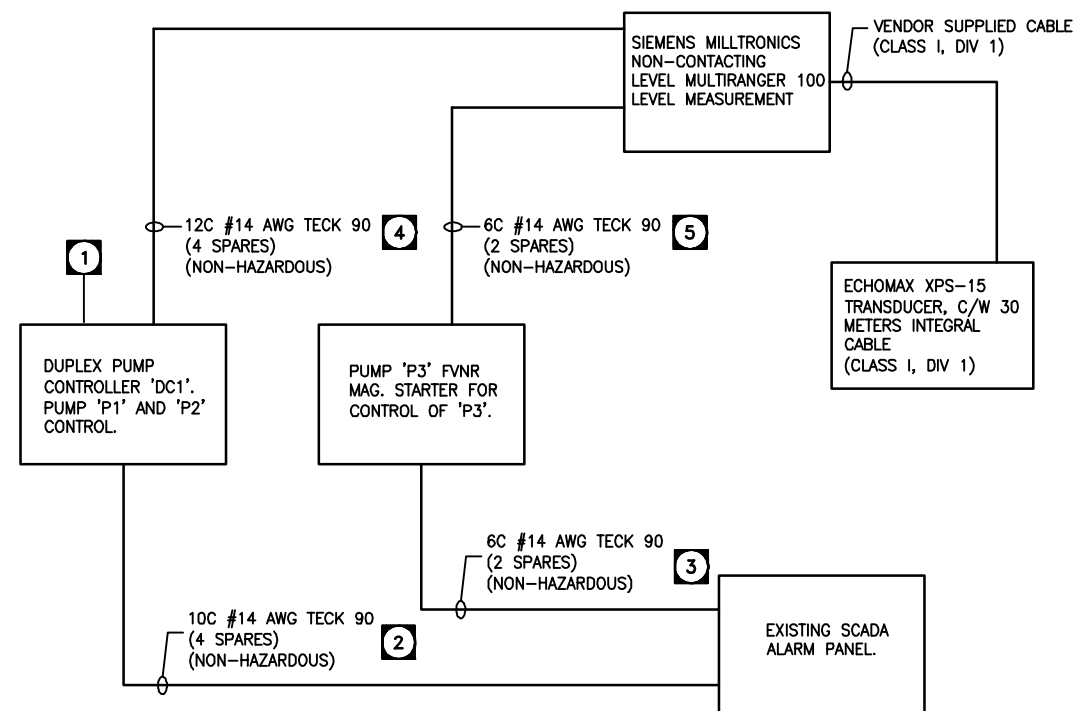
1. ALL ITEMS SHOWN ARE CONTRACTOR SUPPLIED AND INSTALLED UNLESS SPECIFICALLY NOTED OTHERWISE. THE EXISTING SCADA ALARM PANEL IS TO REMAIN. MAKE ALL CONNECTIONS AND MODIFY SYSTEM AS REQUIRED TO ACCOMMODATE NEW DATA ACQUISITION POINTS. COORDINATE SCADA CONNECTIONS WITH THE CITY OF WINNIPEG.

SPECIFIC NOTES

1. INSTALL OWNER SUPPLIED DUPLEX PUMP CONTROLLER 'DC1'. PROVIDE ALL MATERIALS FOR COMPLETE INSTALLATION. REFER TO MANUFACTURER SHOP DRAWINGS FOR COMPLETE DETAILS.
2. SCADA DATA POINTS INCLUDE THE FOLLOWING FROM THE DUPLEX CONTROL PANEL 'DC1':
 1. POWER FAIL
 2. HIGH LEVEL (FL4)
 3. COMMON PUMP FAIL
3. SCADA DATA POINTS INCLUDE THE FOLLOWING FROM 'P3' STARTER:
 1. PUMP 'P3' RUN
 2. PUMP 'P3' FAIL
4. CONNECTION POINTS INCLUDE:
 1. START 1ST DUTY
 2. START 2ND DUTY
 3. HIGH LEVEL
 4. STOP ALL PUMPS
5. CONNECTION POINTS INCLUDE:
 1. STOP 'P3'
 2. START 'P3'



'P3' CONTROL SCHEMATIC
SCALE: NTS



PUMP CONTROL BLOCK DIAGRAM
SCALE: NTS

B.M. ELEV.	FIELD BOOK #:	CITY OF WINNIPEG WATER AND WASTE ENGINEERING DIVISION	ENGINEER'S SEAL	THE CITY OF WINNIPEG WATER AND WASTE DEPARTMENT
POSTED TO LBS		DESIGNED BY: DEB	CHECKED BY: EMR	ORIGINAL SIGNED BY ED RYCZKOWSKI 06/05/04
		DRAWN BY: DEB	APPROVED BY: EMR	
		HOR. SCALE: AS	RELEASED FOR CONSTRUCTION	INSTALLATION OF SUBMERSIBLE PUMPING UNITS AND UPGRADES TO THE BOURNAIS WASTEWATER PUMPING STATION
		VERTICAL: SHOWN		
1 ISSUED FOR OWNER REVIEW	09/14/05	DATE: 2006 05 04	DATE:	ELECTRICAL SINGLE LINE AND SCHEDULES
NO. REVISIONS	DATE	BY	DATE	SHEET 7 OF 7 CITY DRAWING NUMBER 05806