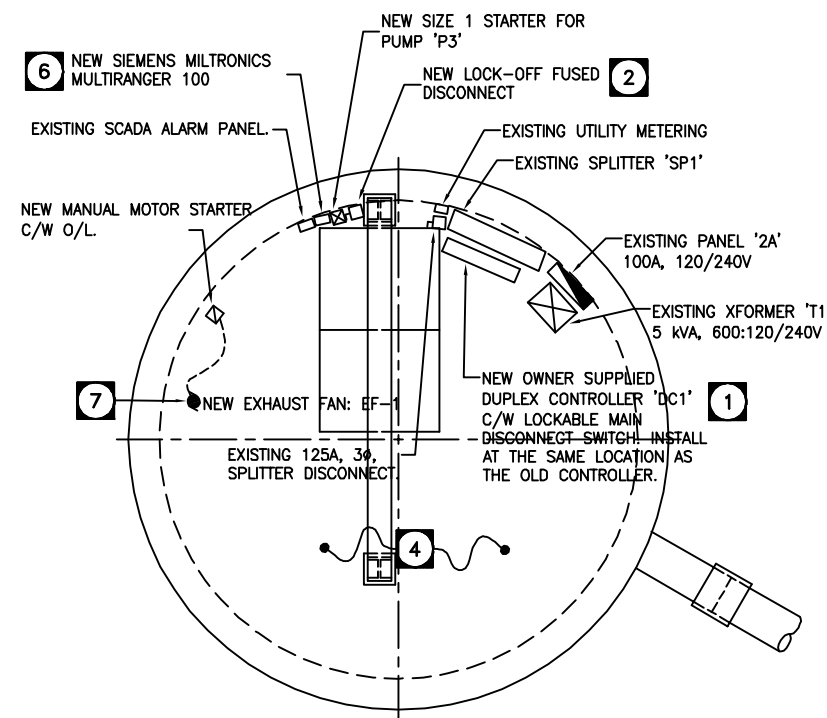


**GENERAL NOTES**

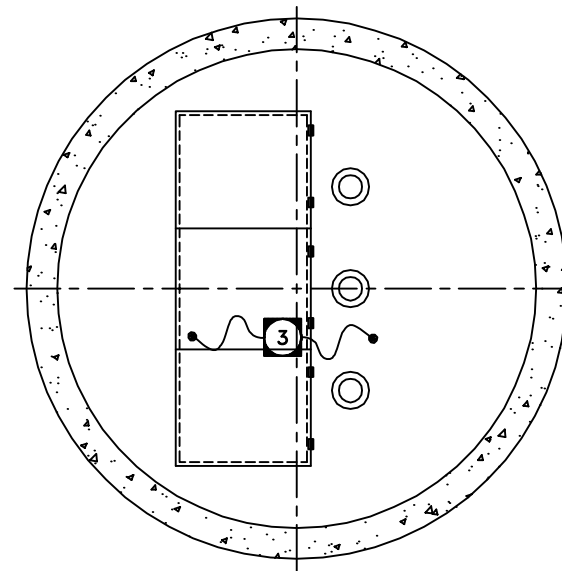
1. CONFIRM ALL ELECTRICAL REQUIREMENTS WITH DRAWINGS AND SPECIFICATIONS. PROVIDE ALL ELECTRICAL CONNECTIONS AS SPECIFIED THEREIN.
2. THE BUILDING BASEPLAN AND LAYOUT SHOWN IS FOR REFERENCE ONLY. EXACT LAYOUT AND DIMENSIONS ARE TO BE SITE CONFIRMED.
3. WIRING AND INSTALLATION METHODS SHALL COMPLY WITH ALL CODES AND STANDARDS TO SUIT THE AREA CLASSIFICATION INDICATED.
4. CIRCUIT NUMBERS SHOWN ARE TO ILLUSTRATE DESIGN INTENT. THE E.C SHALL SITE CONFIRM THE EXACT CIRCUIT NUMBER TO USE.
5. PROVIDE COMPLETE DEMOLITION OF TWO EXISTING PUMPS IN THE STATION WET WELL. STRIP BACK AND REMOVE ALL WIRING, CONDUIT, CONTROL, ACCESSORIES, ETC BACK TO SOURCE PANEL. REMOVE EXISTING PUMP CONTROLLER (C/W SENSORS AND CONTROL).
6. EQUIPMENT LOCATIONS SHOWN ARE APPROXIMATIONS ONLY. SITE CONFIRM EXACT LOCATIONS.

**SPECIFIC NOTES**

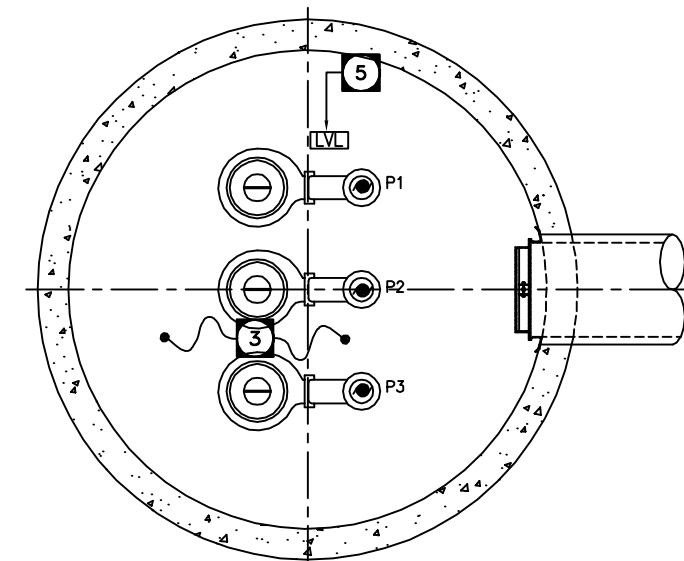
1. PROVIDE DEMOLITION OF EXISTING DUPLEX PUMP CONTROLLER. REPLACE WITH NEW PUMP CONTROLLER AT THE SAME LOCATION AS THE EXISTING CONTROLLER. REPLACE EXISTING PUMP CONTROL PANEL WITH NEW PUMP CONTROL PANEL AND OPERATE NEW AND EXISTING PUMPS DURING INSTALLATION TRANSITION. PROVIDE TEMPORARY OVERLOADS AS NEEDED TO FACILITATE EXISTING PUMP OPERATION. REFER TO SPECIFICATION SECTION E10.3.7
2. PROVIDE NEW "LOCK OFF" FUSED DISCONNECT FOR PUMP 'P3'.
3. THIS LEVEL/FLOOR IS A HAZARDOUS RATED, CLASS I, DIV 1 AREA. ALL EQUIPMENT, WIRING, AND INSTALLATION SHALL BE SUITABLE FOR THIS ENVIRONMENT, AND SHALL BE CORROSION RESISTANT CATAGORY 2, SECTION 22.
4. NON-HAZARDOUS RATED AREA.
5. ECHOMAX TRANSDUCER (LEVEL SENSOR). WIRE AND CONNECT TO SIEMENS MILTRONICS MULTISENSOR 100.
6. PROVIDE NEW LEVEL MEASUREMENT: SIEMENS MILLTRONICS NON-CONTACTING ULTRASONIC LEVEL MULTIRANGER 100. PROVIDE CLASS I, DIV. 1 ECHOMAX XPS TRANSDUCER C/W INTEGRAL CABLE. PROVIDE 120V POWER CIRCUIT FROM EXISTING PANEL '2A'.
7. PROVIDE SURFACE MOUNTED, 2-SPEED (OFF/LOW/HI) MANUAL MOTOR STARTER FOR CONTROL OF EXHAUST FAN: EF-1 (120V, 1/4HP). STARTER SHALL HAVE "LOCK OFF" CAPABILITY. PROVIDE NEW CIRCUIT BREAKER IN PANEL 2A TO MATCH EXISTING BREAKER TYPE. CONFIRM EXACT CIRCUIT NUMBER ON SITE. PROVIDE 2C #12 AWG COPPER TECK 90 FROM PANEL TO STARTER, AND 3C #12 AWG COPPER TECK 90 FROM STARTER TO EF-1.



**MAIN FLOOR PLAN**  
SCALE: 1:30



**INTERMEDIATE FLOOR**  
SCALE: 1:30



**WET WELL**  
SCALE: 1:30

B.M. ELEV.	FIELD BOOK #:	CITY OF WINNIPEG WATER AND WASTE ENGINEERING DIVISION		ENGINEER'S SEAL	<b>THE CITY OF WINNIPEG</b> WATER AND WASTE DEPARTMENT INSTALLATION OF SUBMERSIBLE PUMPING UNITS AND UPGRADES TO THE BOURNAIS WASTEWATER PUMPING STATION POWER AND SYSTEMS PLAN	SHEET 5 OF 7 CITY DRAWING NUMBER 05804
POSTED TO LBIS				DESIGNED BY: DEB		
		DRAWN BY: DEB	APPROVED BY: EMR			
		HOR. SCALE: AS SHOWN	RELEASED FOR CONSTRUCTION			
1	ISSUED FOR OWNER REVIEW	09/14/05	EMR		BID OPPORTUNITY: 431-2006	
NO.	REVISIONS	DATE	BY	DATE	FILENAME: E2.dwg	
				2006 05 04	PLOT DATE: 2006 05 04	