

MATERIALS

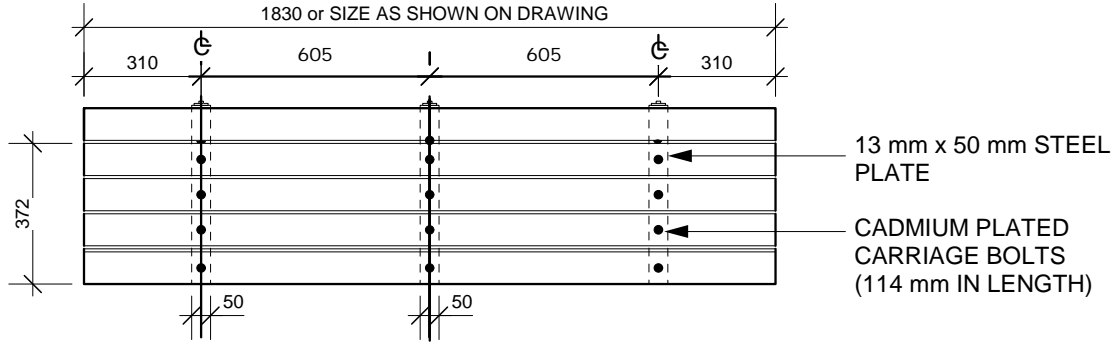
- 85 mm X 85 mm COMPOSITE SLATS
- CEDAR TONE FINISH
- METAL FINISH - PRIME WITH RUSTOLEUM no.769. FINISH WITH SAPOLIN BLACK WROUGHT FINISH

TITLE

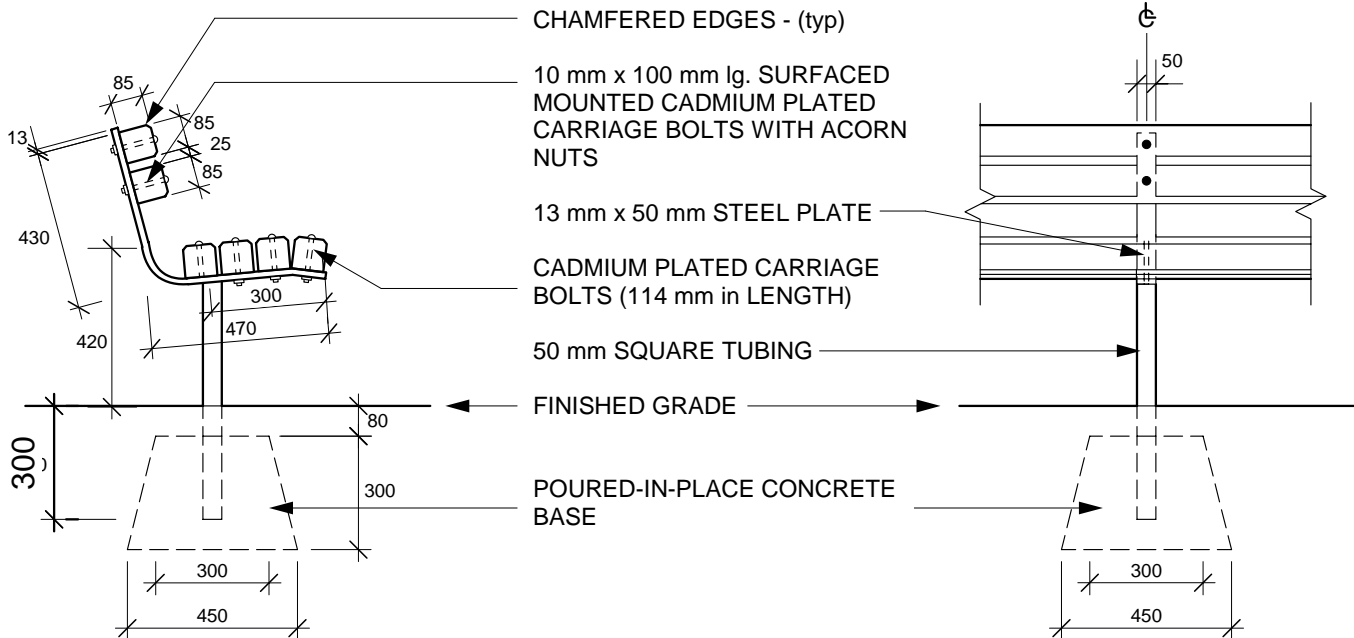
TACHE STYLE COMPOSITE BENCH

D

SCD - 120A



PLAN VIEW



SIDE ELEVATION

FRONT ELEVATION

NOTE: ALL DIMENSIONS SHOWN ARE IN MILLIMETERS

1:20
 DATE : JUNE 2006
 DRAWN BY: J.F

THE CITY OF WINNIPEG
 Planning, Property and Development Department
 Planning and Land Use Division
 Unit 15 - 10 Fort Street, Winnipeg, MB, R3C 4X5

