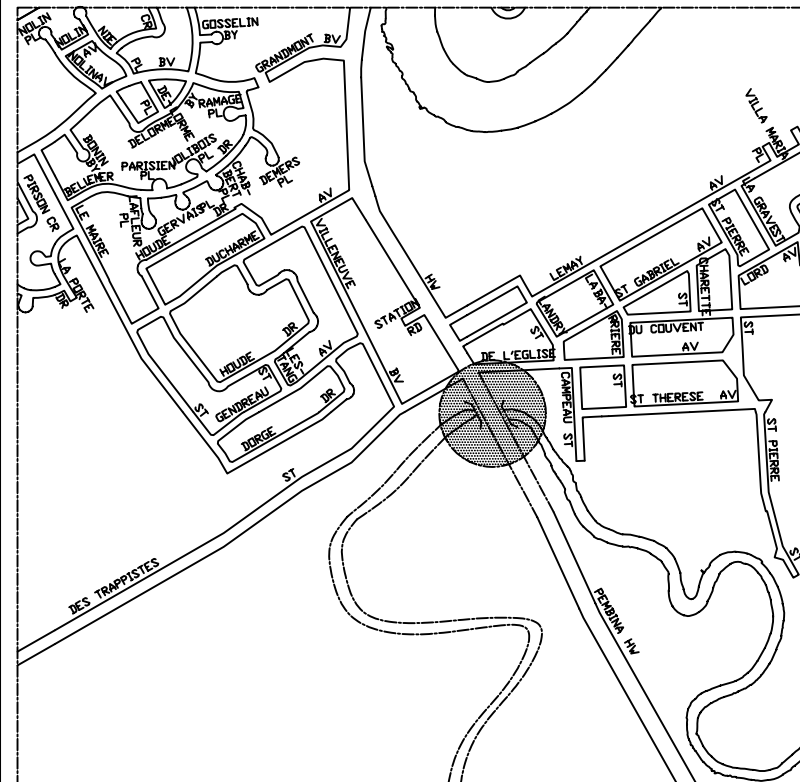
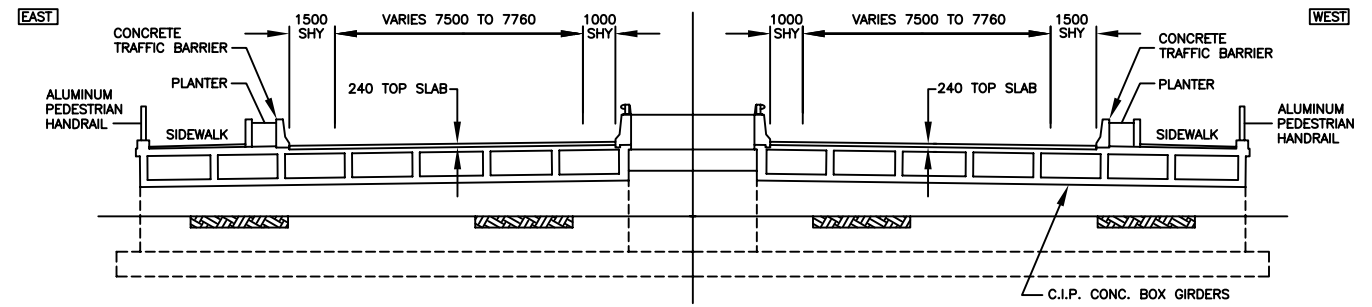


- AREA OF NON-SKID POLYMER WEARING SURFACE TO BE REPLACED
- AREA OF EXISTING NON-SKID POLYMER WEARING SURFACE (APPLIED IN 2003)

**DECK LAYOUT**  
N.T.S.



**LOCATION PLAN**

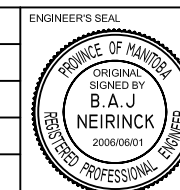


**TYPICAL CROSS SECTION**  
N.T.S.

- NOTES:**  
I. APPROXIMATE QUANTITY TO REPLACE = 160 sqm

|              |            |      |    |  |  |
|--------------|------------|------|----|--|--|
| <b>NOTE:</b> | B.M. ELEV. |      |    |  | DESIGNED BY: B.A.N.                                    |
|              |            |      |    |  | DRAWN BY: M.R.T.                                       |
|              |            |      |    |  | CHECKED BY: B.A.N.                                     |
|              |            |      |    |  | APPROVED BY: B.A.N.                                    |
|              |            |      |    |  | AUTHORIZED BY:   |
|              |            |      |    |  | B.A. NEIRINCK<br>BRIDGE PLANNING & OPERATIONS ENGINEER |
| NO.          | REVISION   | DATE | BY |  |  |

**METRIC**  
WHOLE NUMBERS INDICATE MILLIMETRES  
DECIMALIZED NUMBERS INDICATE METRES



**CITY OF WINNIPEG**  
PUBLIC WORKS DEPARTMENT  
ENGINEERING DIVISION

PEMBINA HIGHWAY BRIDGE  
OVER LA SALLE RIVER  
BRIDGE DECK  
SURFACE SEALING REPAIRS

SHEET **1** OF 2  
HORIZONTAL: N.T.S.  
VERTICAL: N.T.S.  
CITY DRAWING NUMBER:  
**B224-06-01**

PLAN & SECTION

BID OPPORTUNITY NO.:  
388-2006