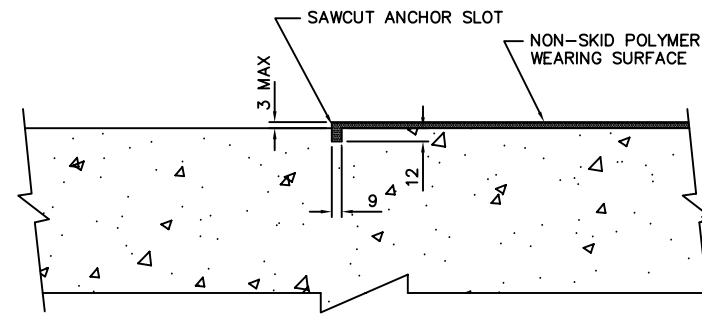
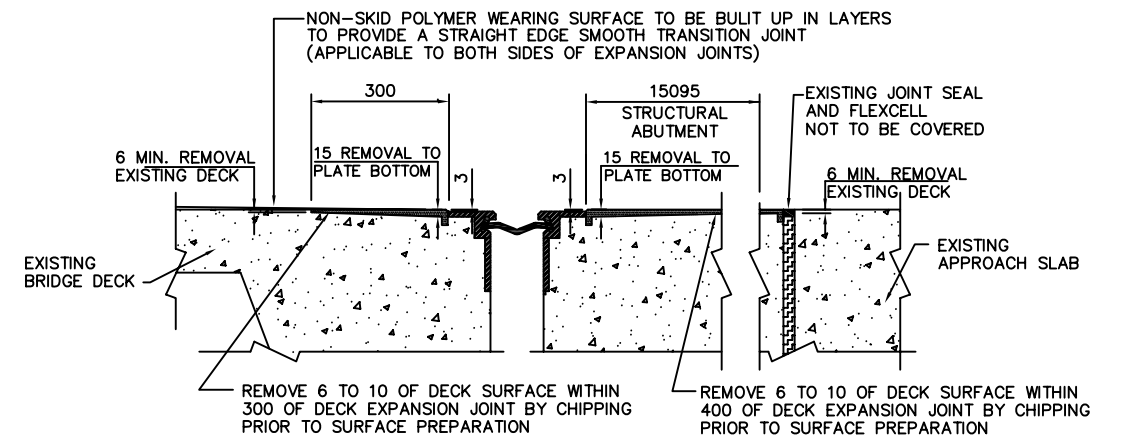


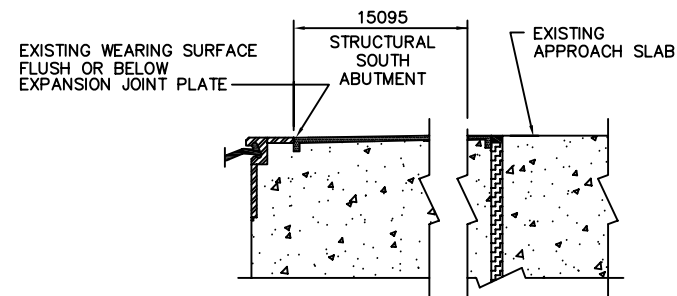
DECK REPAIR DETAILS
N.T.S.



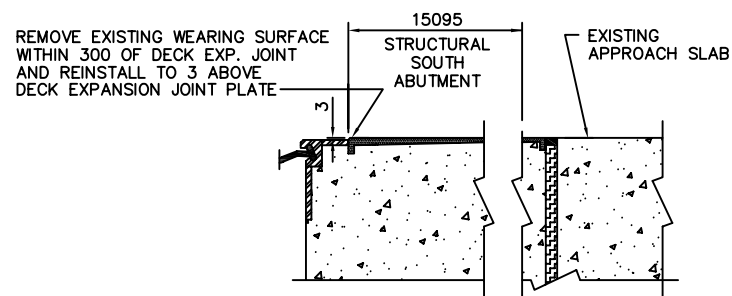
TYPICAL ANCHOR DETAIL
N.T.S.



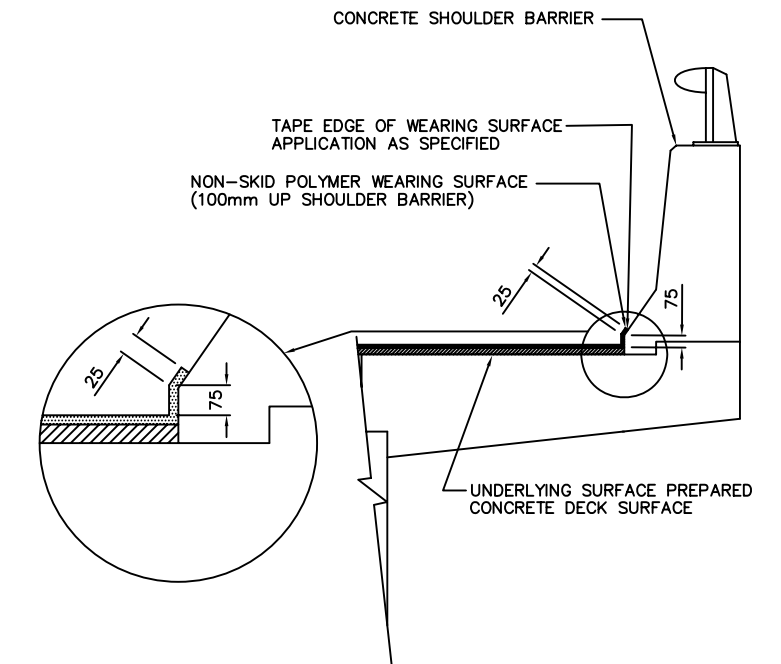
EXPANSION JOINT (TYPICAL)
N.T.S.



EXISTING JOINT DETAIL A
N.T.S. 1/2



PROPOSED JOINT DETAIL B
N.T.S. 1/2



TRAFFIC BARRIER DETAIL (TYPICAL)
N.T.S.

METRIC
WHOLE NUMBERS INDICATE MILLIMETRES
DECIMALIZED NUMBERS INDICATE METRES

NOTE:	B.M. ELEV.	DESIGNED BY: B.A.N.		CITY OF WINNIPEG PUBLIC WORKS DEPARTMENT ENGINEERING DIVISION ST. VITAL BRIDGE OVER RED RIVER BRIDGE DECK SURFACE SEALING REPAIRS WEARING SURFACE DETAILS	SHEET 2 OF 2
		DRAWN BY: M.R.T.			HORIZONTAL: N.T.S.
		CHECKED BY: B.A.N.			VERTICAL: N.T.S.
		APPROVED BY: B.A.N.			CITY DRAWING NUMBER: B116-06-05
		AUTHORIZED BY:			
		B.A. NEIRINCK BRIDGE PLANNING & OPERATIONS ENGINEER			BID OPPORTUNITY NO.: 388-2006
	NO. REVISION	DATE	BY		