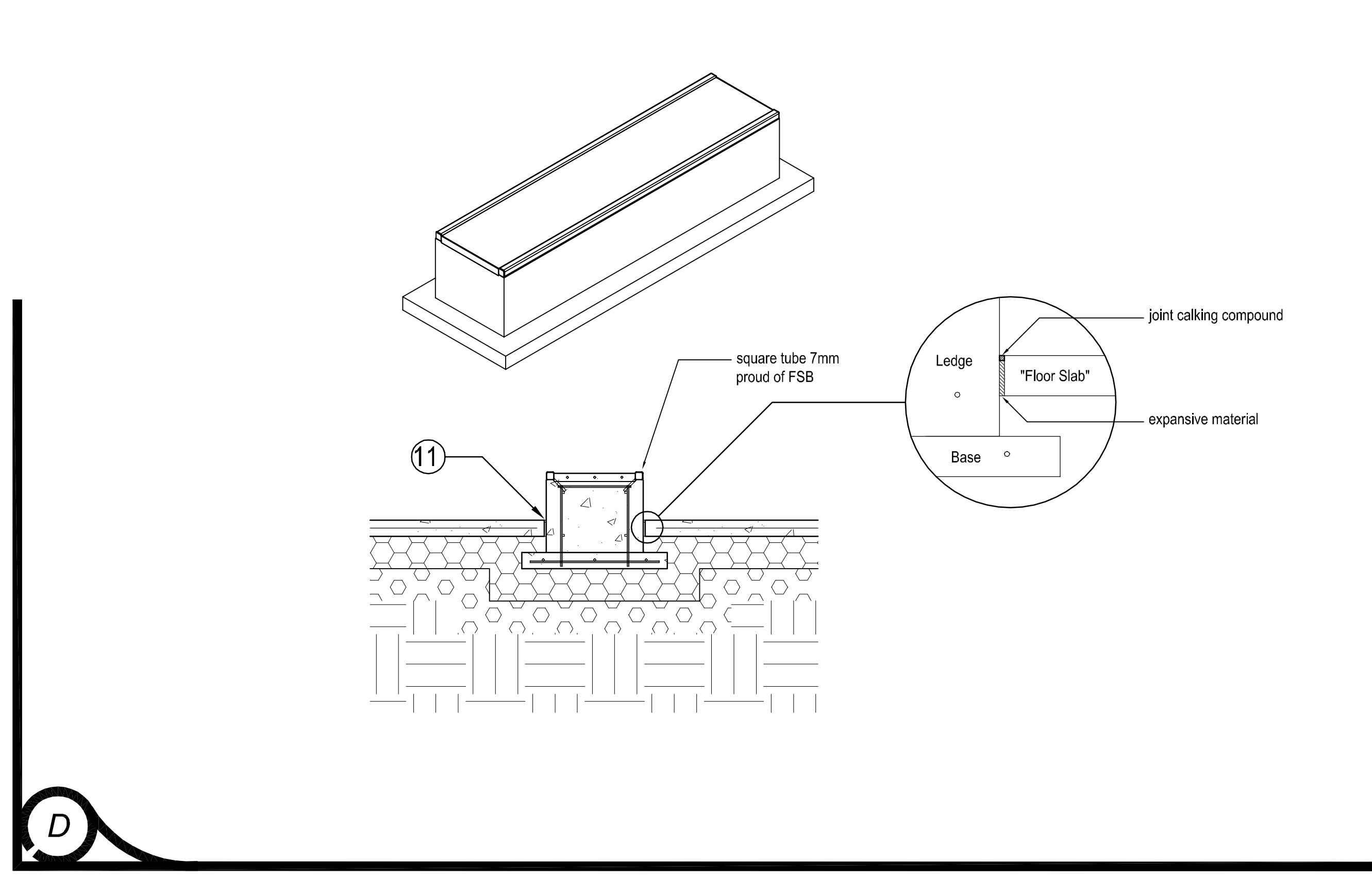
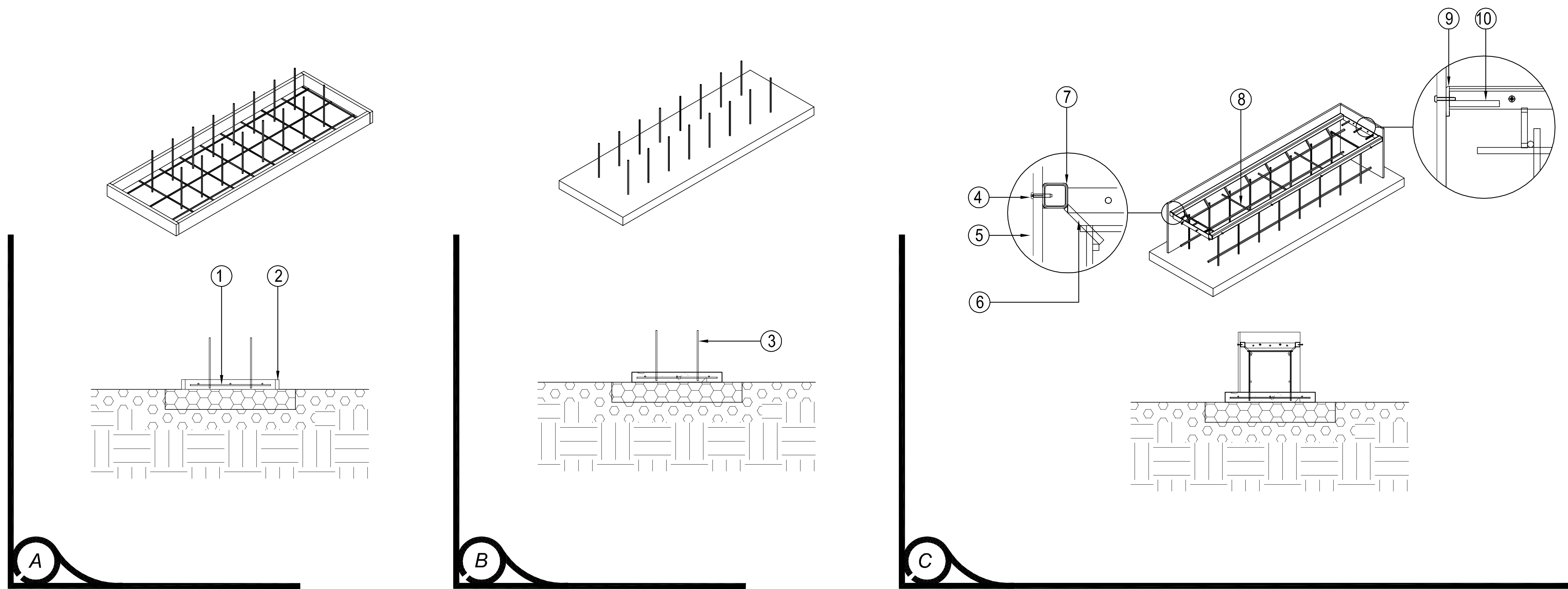


Profiles indicate proper layout and dimensions of all CIP concrete banks and transitions. Contractor must refer to written specifications to ensure that proper sub-base, and base materials are placed over compacted subgrade. All concrete elements shall be constructed by:

- 1) Removing surface organics to a layer suitable for compaction to 98% SPD
- 2) Importing and compacting fill as per specifications. All fill material shall be free draining
- 3) Placing 100mm of 19mm minus aggregate over compacted free draining material.



- 1) Ø10mm rebar matt, max 300mm OC.
- 2) Base Form
- 3) Ø10mm X 450mm rebar, 300mm OC
- 4) Self drilling/tapping screw, the resulting hole must be repaired after the form is stripped.
- 5) Plywood form
- 6) Ø10mm x 100mm rebar "stubs", 450mm OC, secured with a 4mm fillet welds*
- 7) 2" X 2" X 3/16"W tube (60mmx60mmx5mm) W/ capped ends** square tube 7mm proud of FSB
- 8) Ø10mm rear grid 600mm OC in both axis
- 9) 2" x 1/4" hot rolled plate (to prevent spalling of exposed hard edges)**
- 10) Ø10mm x 100mm rebar "Stubs" secured @ 300mm OC with 6mm fillet welds*
- 11) Expansion joints shall only be used around vertical elements, implimentation elsewhere is not acceptable.

* All welded areas are to be treated with zinc rich Galvicon or equivalent.
 ** Stock lengths of steel shall be pre treated with zinc rich Galvicon or equivalent.

van der Zalm + associates inc.
 Landscape Architecture * Urban Design * Parks & Recreation
 Suite 2200 1177 W Hastings St. P 604.882.0024
 Vancouver, British Columbia F 604.882.0042
 V6E 2K3 info@www.vdzr.ca
 The Warehouse Design Studio
 8938 192 Street P 604.882.0024
 Surrey, British Columbia F 604.882.0042
 V4N 3V8 info@www.vdzr.ca

NOTES

© Copyright reserved. This drawing and design is the property of van der Zalm + associates inc., and may not be reproduced or used for other projects without permission.

| No. | Description | Date |
|-----|------------------|------------|
| 0. | Issue for Tender | Mar. 03/06 |

REVISIONS-DRAWING ISSUE

CONTRACTOR SHALL CHECK ALL DIMENSIONS ON THE WORK AND REPORT ANY DISCREPANCY TO THE CONTRACT ADMINISTRATOR BEFORE PROCEEDING. ALL DRAWINGS AND SPECIFICATIONS ARE THE EXCLUSIVE PROPERTY OF THE CONTRACT ADMINISTRATOR AND MUST BE RETURNED AT THE COMPLETION OF THE WORK.

PROJECT:
Skatepark West St. James
 LOCATION:
Winnipeg, Man.

| | | |
|----------|-----|-------------|
| DRAWN | ML | CAD FILE |
| CHECKED | MV | LEDGE |
| APPROVED | MV | DATE |
| SCALE | NTS | June. 01/05 |

LEDGE CONSTRUCTION SEQUENCE

DRAWING TITLE

PROJECT NO.
PR2005-08

DRAWING NO.
SK-D-6