



van der Zalm + associates inc.

Landscape Architecture * Urban Design * Parks & Recreation

Suite 2200 1177 W. Hastings St. P 604.882.0024
Vancouver, British Columbia F 604.882.0042
V6E 2K3 info@www.vdz.ca

The Warehouse Design Studio P 604.882.0024
8938 192 Street F 604.882.0042
Surrey, British Columbia info@www.vdz.ca
V4N 3V8

NOTES

DETAIL HATCH LEGEND

	CONCRETE
	100mm of 19minus Granular 'A'
	Refer to KGS drawing # S2 for all subbase prep. and build-up elevations

Copyright reserved. This drawing and design is the property of van der Zalm + associates inc. and may not be reproduced or used for other projects without permission.

No.	Description	Date
0.	Issue for Tender	Mar. 03/06

REVISIONS-DRAWING ISSUE

CONTRACTOR SHALL CHECK ALL DIMENSIONS ON THE WORK AND REPORT ANY DISCREPANCY TO THE CONTRACT ADMINISTRATOR BEFORE PROCEEDING. ALL DRAWINGS AND SPECIFICATIONS ARE THE EXCLUSIVE PROPERTY OF THE CONTRACT ADMINISTRATOR AND MUST BE RETURNED AT THE COMPLETION OF THE WORK.

PROJECT:

**Skatepark West
St. James**

LOCATION:

Winnipeg, Man.

DRAWN

ML

CHECKED

MV

APPROVED

MV

SCALE

1 : 50

CAD FILE

DETAILS 1

DATE

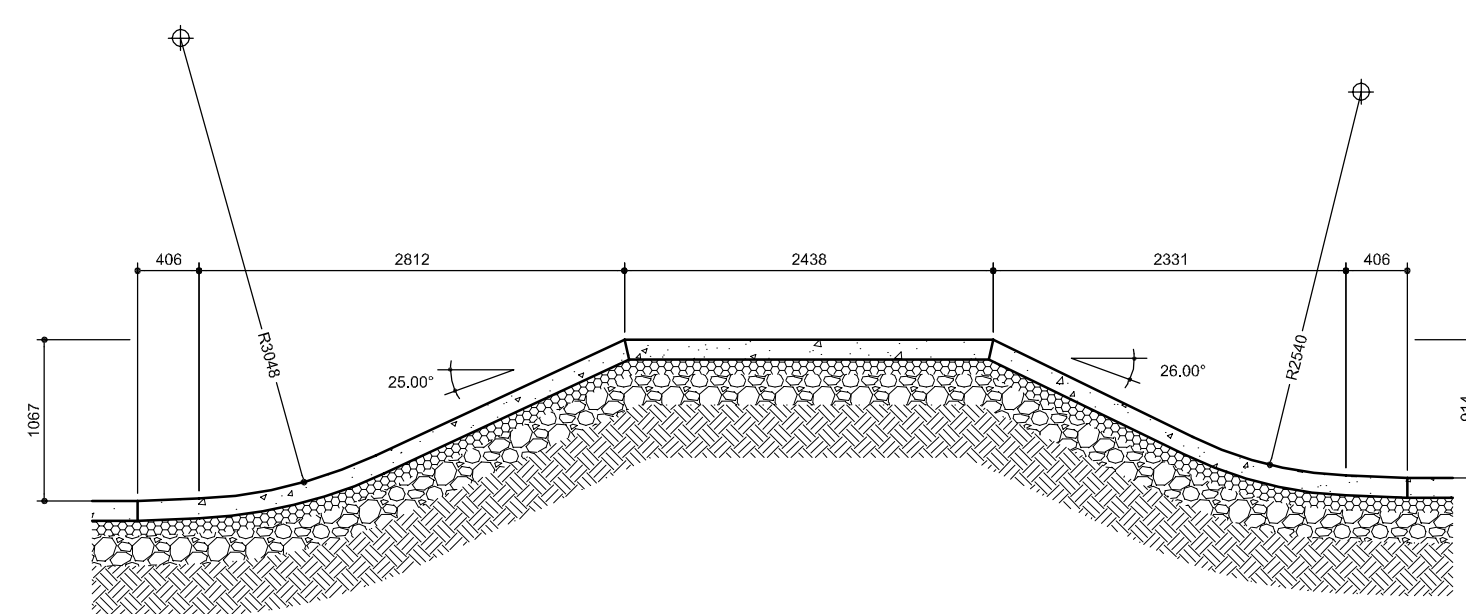
June, 01/05

DRAWING TITLE

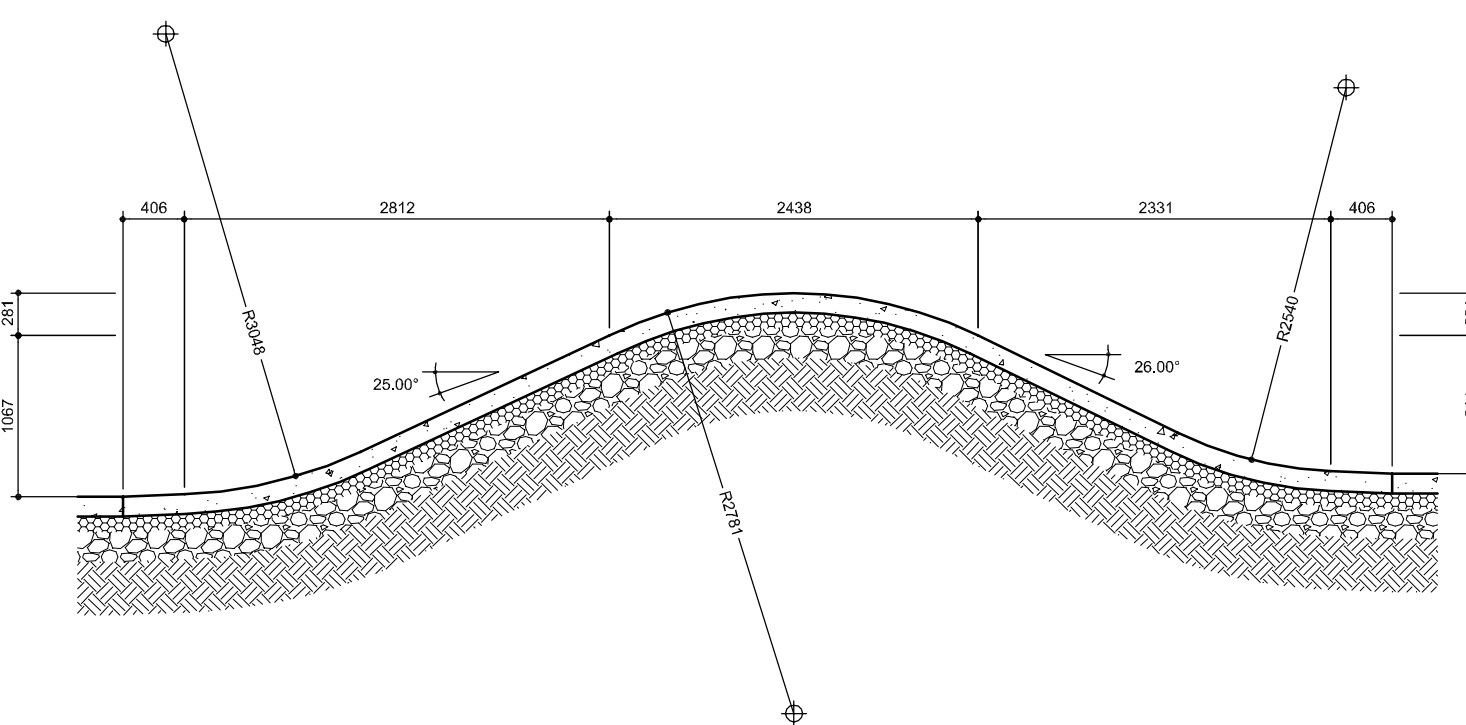
PROJECT NO.
PR2005-08

DRAWING NO.
SK-D-3

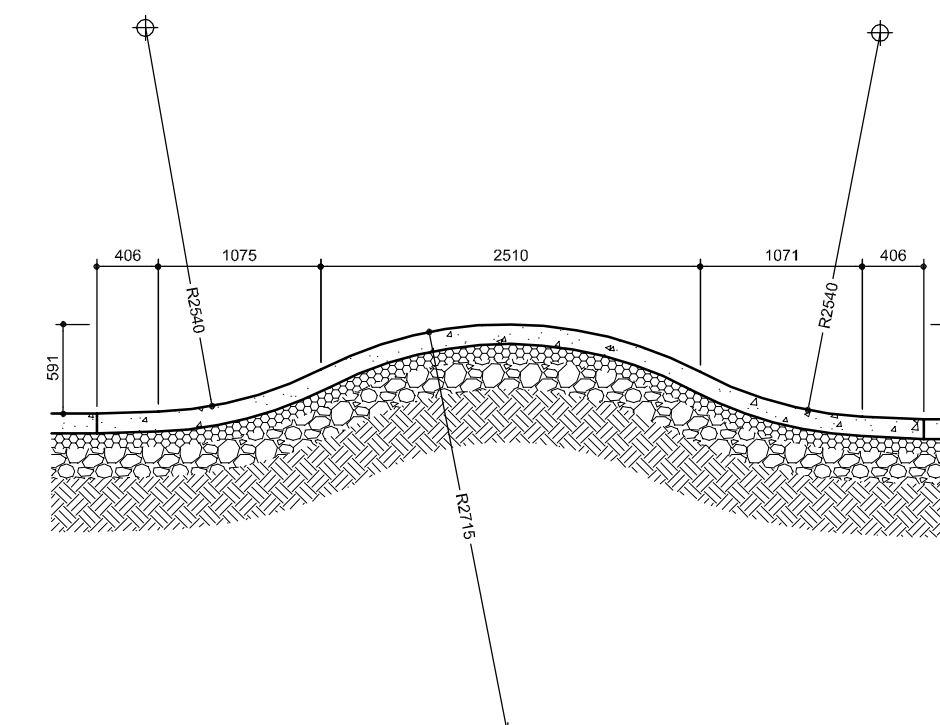
DETAILS 2



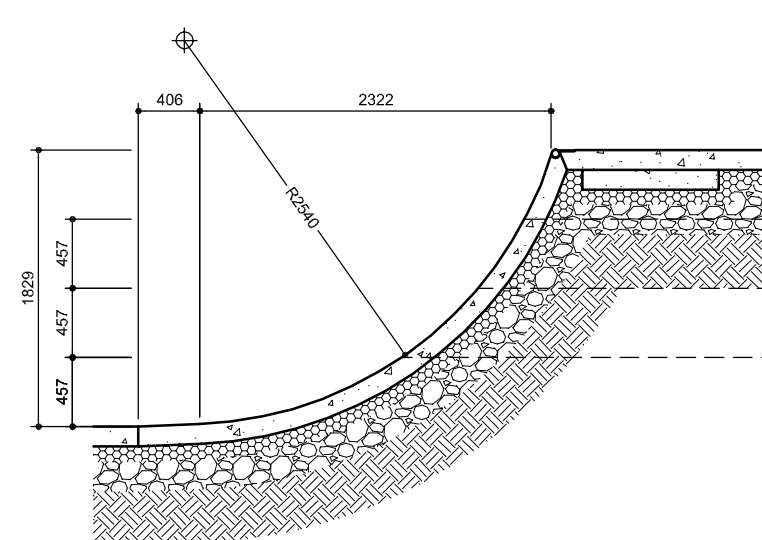
12 TABLE TOP 3
SCALE: 1 : 50



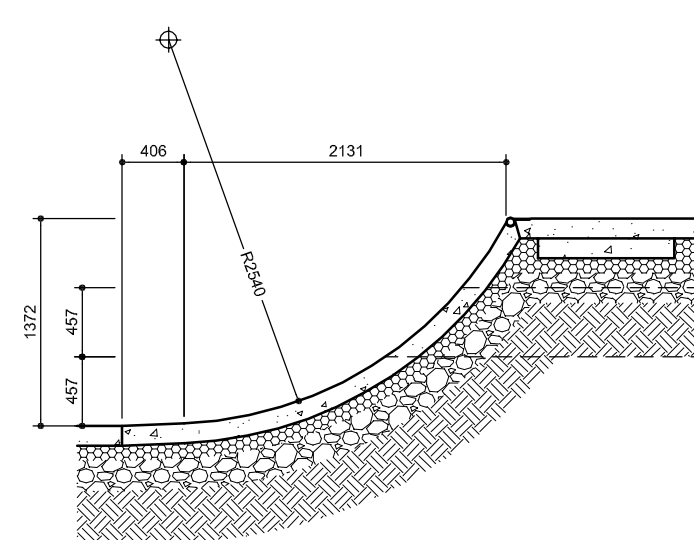
13 ROLLER 1
SCALE: 1 : 50



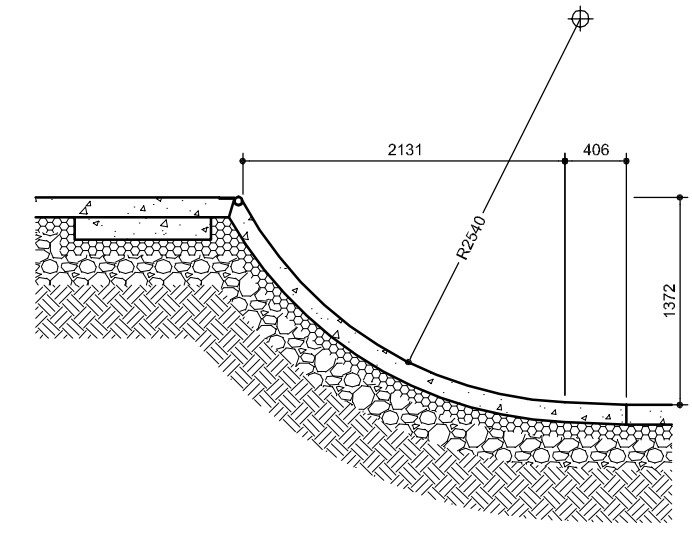
14 ROLLER 2
SCALE: 1 : 50



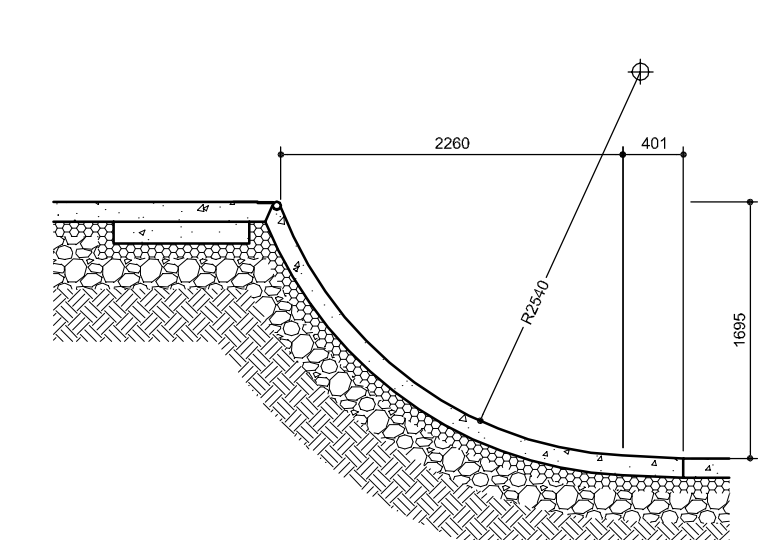
15 TRANSITION 1
SCALE: 1 : 50



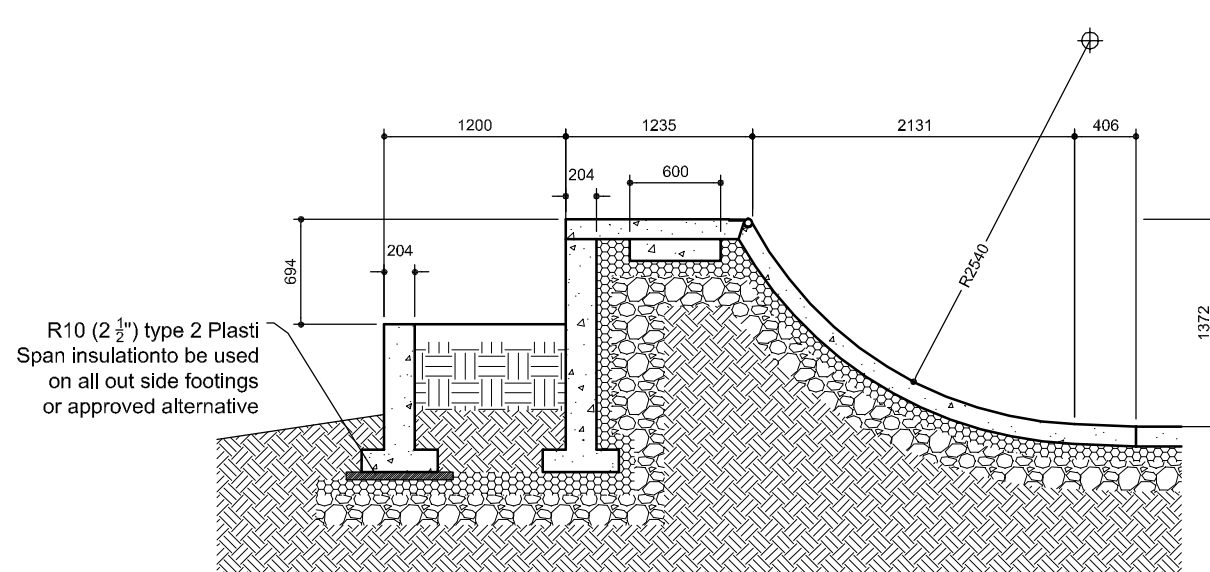
16 TRANSITION 2
SCALE: 1 : 50



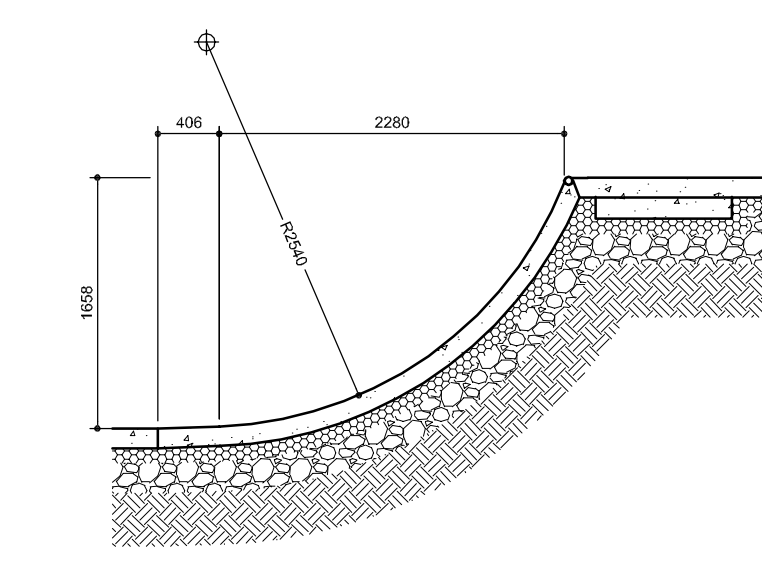
17 TRANSITION 3
SCALE: 1 : 50



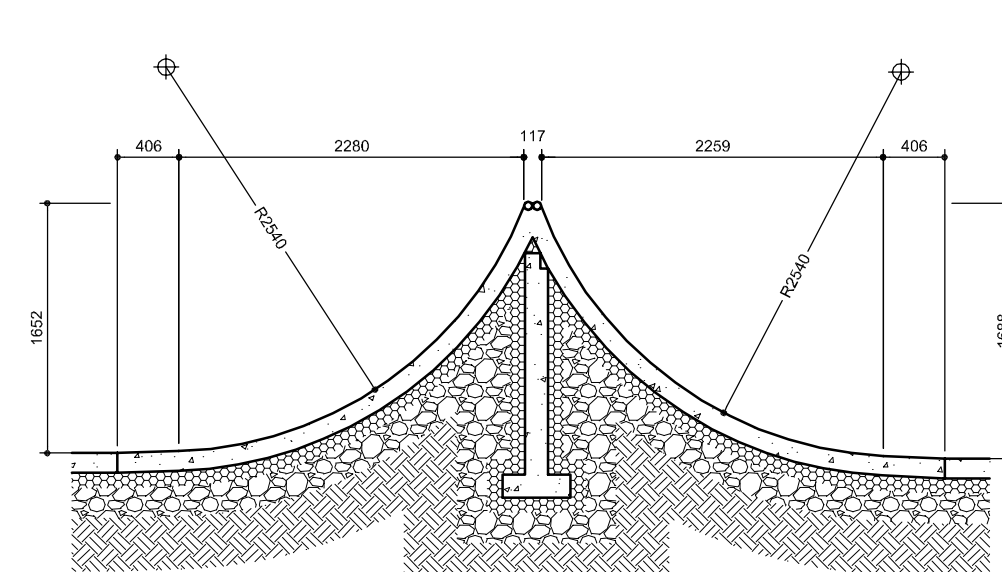
18 TRANSITION 4
SCALE: 1 : 50



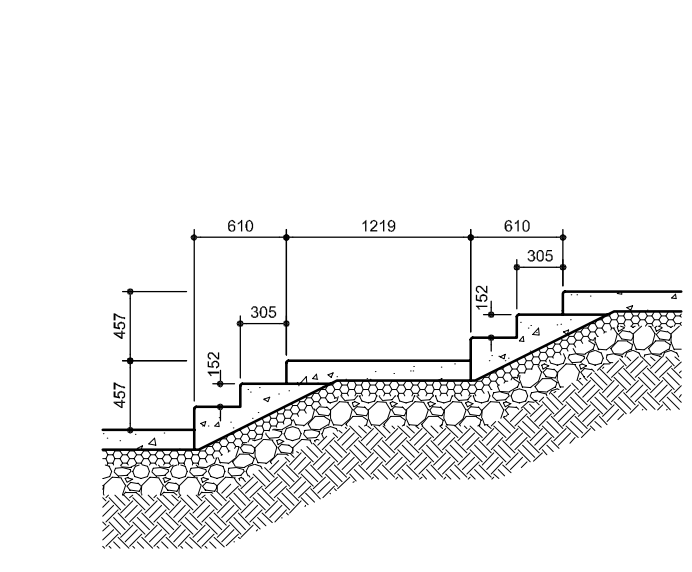
19 TRANSITION 5
SCALE: 1 : 50



20 TRANSITION 6
SCALE: 1 : 50



21 SPINE
SCALE: 1 : 50



22 STEPS
SCALE: 1 : 50