



van der Zalm + associates inc.
Landscape Architecture * Urban Design * Parks & Recreation
Suite 2200 1177 W. Hastings St. P 604.882.0024
Vancouver, British Columbia F 604.882.0042
V6E 2K3 info@www.vdzr.ca

The Warehouse Design Studio
8938 192 Street P 604.882.0024
Surrey, British Columbia F 604.882.0042
V4N 3V8 info@www.vdzr.ca

NOTES

CONCRETE EDGE

STEEL EDGE

TANGENT LINE

HIDDEN WALL

Copyright reserved. This drawing and design is the property of van der Zalm + associates inc. and may not be reproduced or used for other projects without permission.

No.	Description	Date
0.	Issue for Tender	Mar. 03/06

REVISIONS-DRAWING ISSUE

CONTRACTOR SHALL CHECK ALL DIMENSIONS ON THE WORK AND REPORT ANY DISCREPANCY TO THE CONTRACT ADMINISTRATOR BEFORE PROCEEDING. ALL DRAWINGS AND SPECIFICATIONS ARE THE EXCLUSIVE PROPERTY OF THE CONTRACT ADMINISTRATOR AND MUST BE RETURNED AT THE COMPLETION OF THE WORK.

PROJECT:

Skatepark West St. James

LOCATION:

Winnipeg, Man.

DRAWN	ML	CAD FILE
CHECKED	MV	STEEL & BLEND
APPROVED	MV	DATE
SCALE	1 : 150	June. 01/05

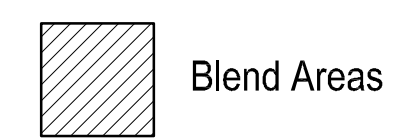
STEEL AND BLEND AREAS

DRAWING TITLE

PROJECT NO.
PR2005-08

DRAWING NO.
SK - 5

Notes:

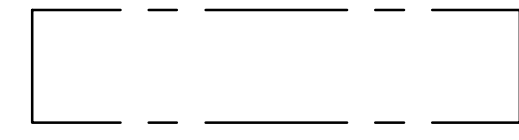


In many instances throughout the skatepark - elevation, and degree of slope between banks, transition slopes, and vertical elements can vary. Where indicated on plan, provide custom concrete blending for smooth transitions. These areas typically require greater hand work and quality control to ensure that blends do not result in irregular concrete surface conditions.

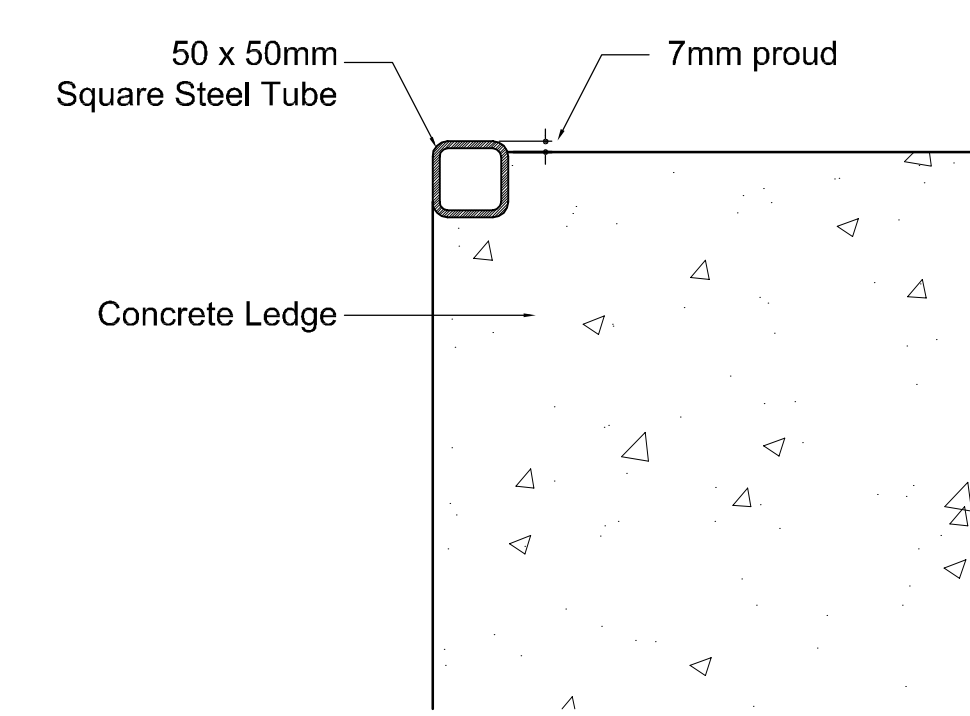
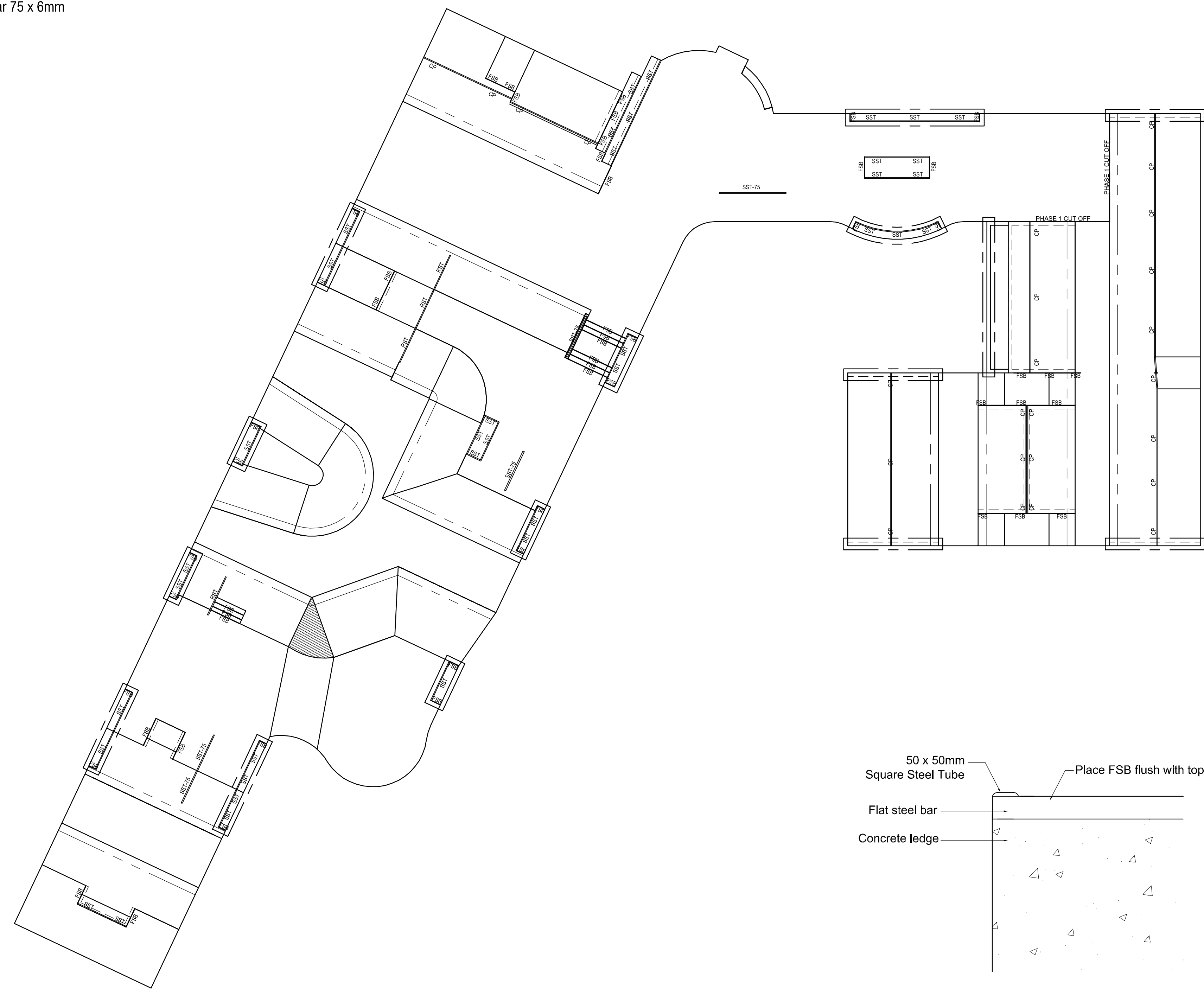
*REFER TO DETAILS TO CONFIRM HAND RAIL DIMENSIONS

All steel grinding edges and steel coping shall be painted with a zinc-rich primer. All welds and site work shall be repainted at completion of work to ensure protection from corrosion.

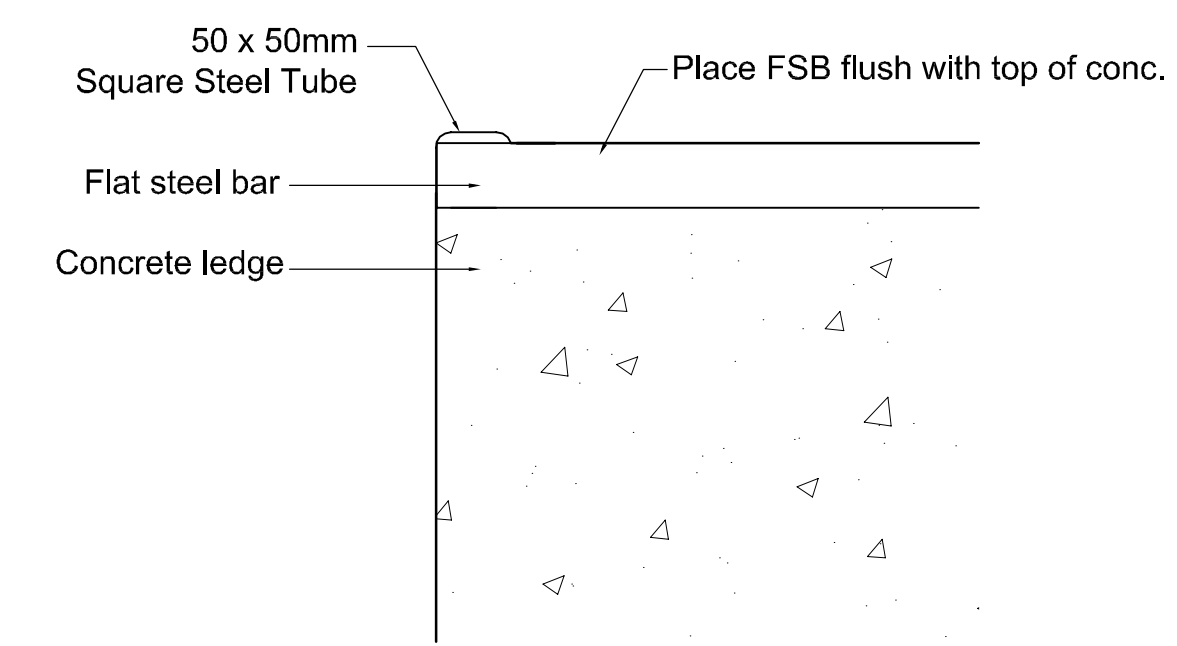
- SST: square steel tube 50 x 50mm 3/16" wall
- SST-75: square steel tube 75 x75mm 3/16" wall
- RST: 60mmØ round steel tube: schedule 80 ASTM - A53 pipe
- CP: coping 60mm Ø: schedule 80 ASTM - A53 pipe
- FSB: flat steel bar 75 x 6mm



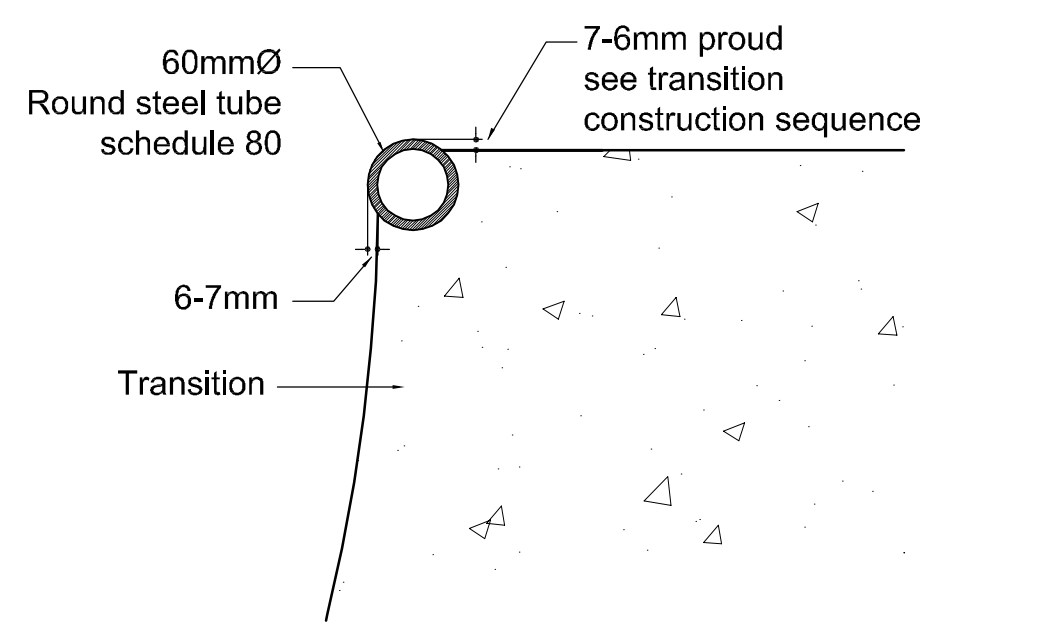
Insulation: All ledges and wall on an outer edge of the skatepark shall have insulation underneath..
Insulation shall be R10 (2 1/2") type 2 Plasti Span or approved alternative



1 Square Steel Tube Placement
SCALE: 1:5



2 Flat Steel Bar Placement
SCALE: 1:5



3 Coping Placement
SCALE: 1:5