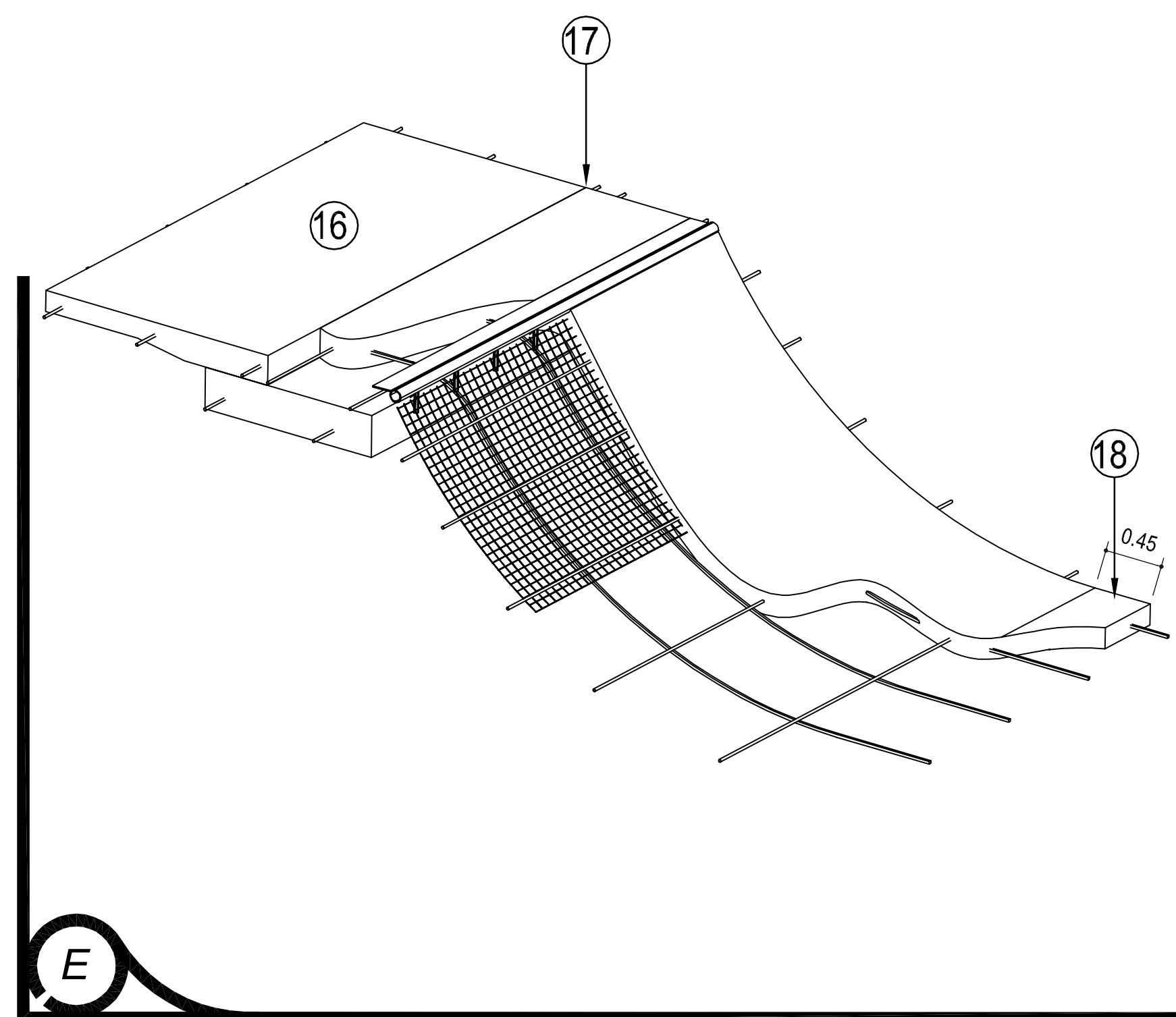
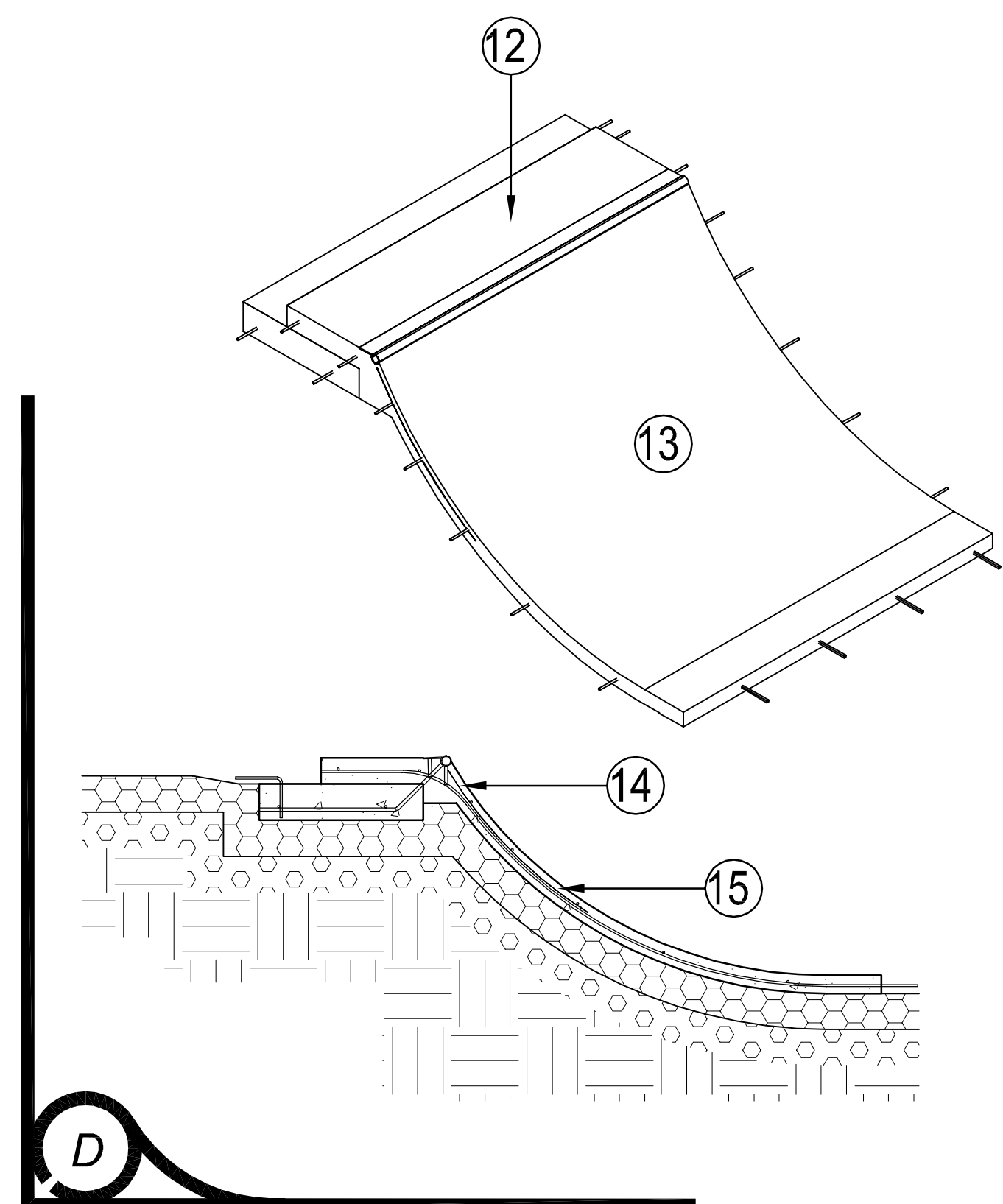
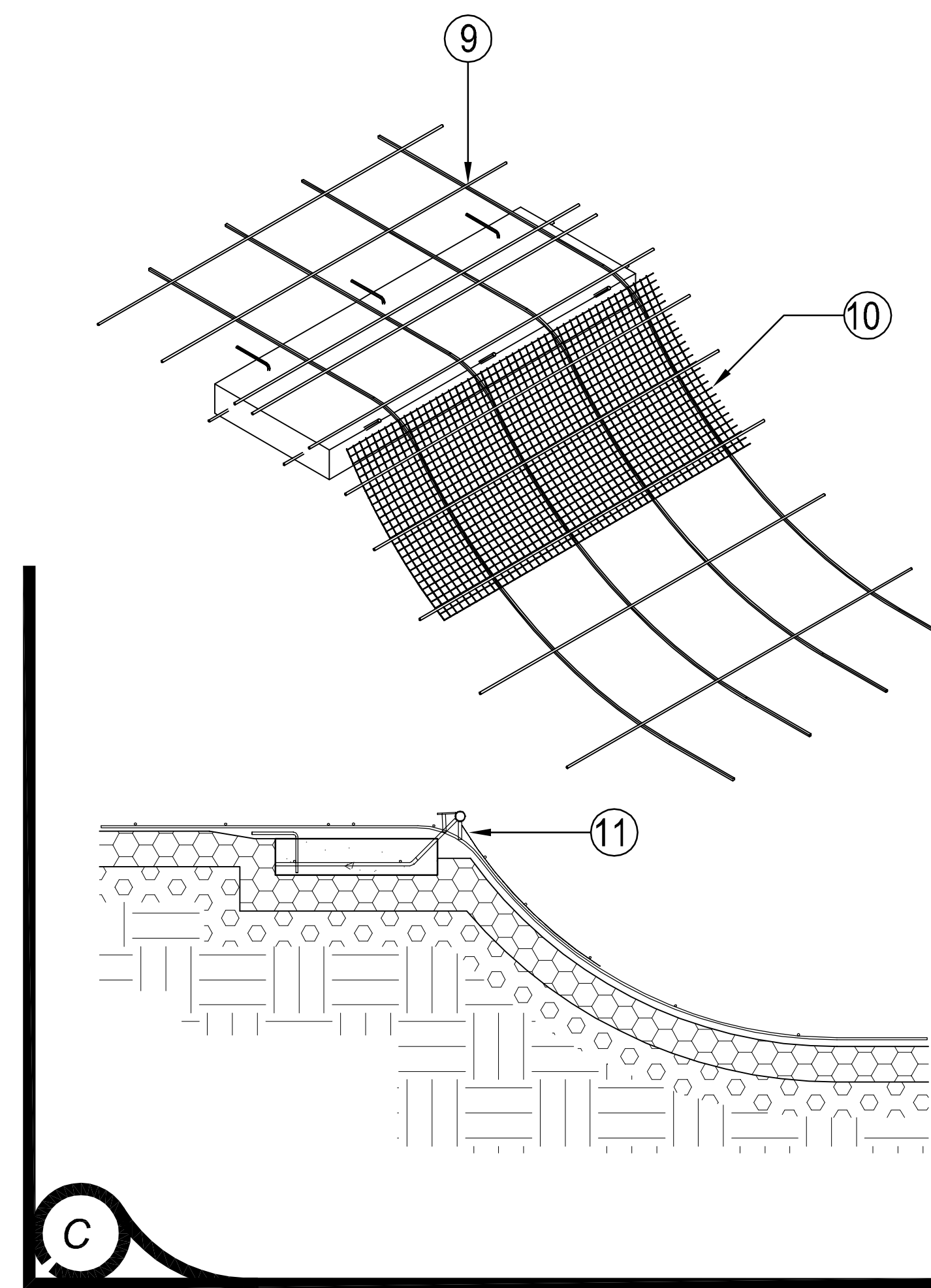
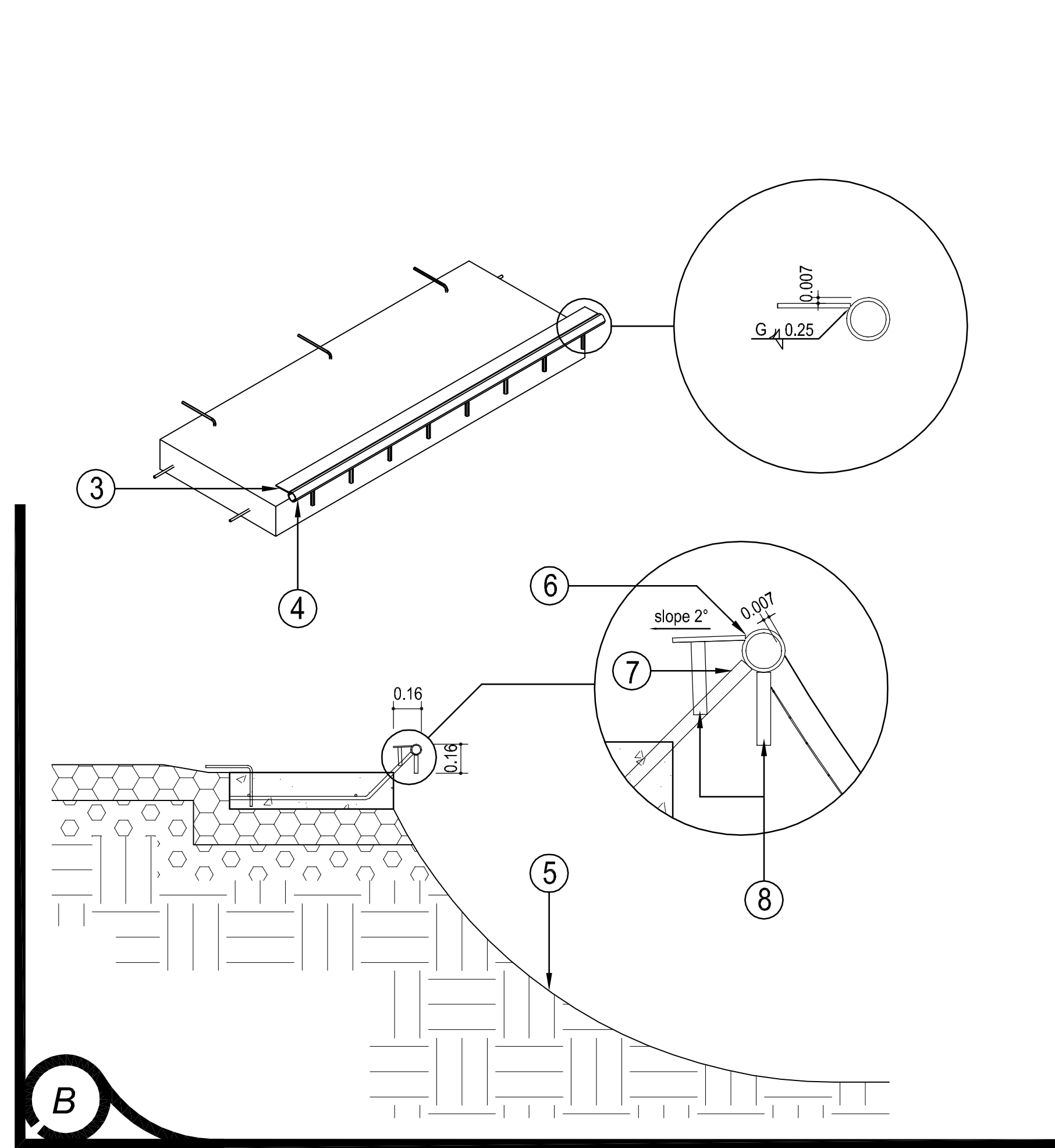
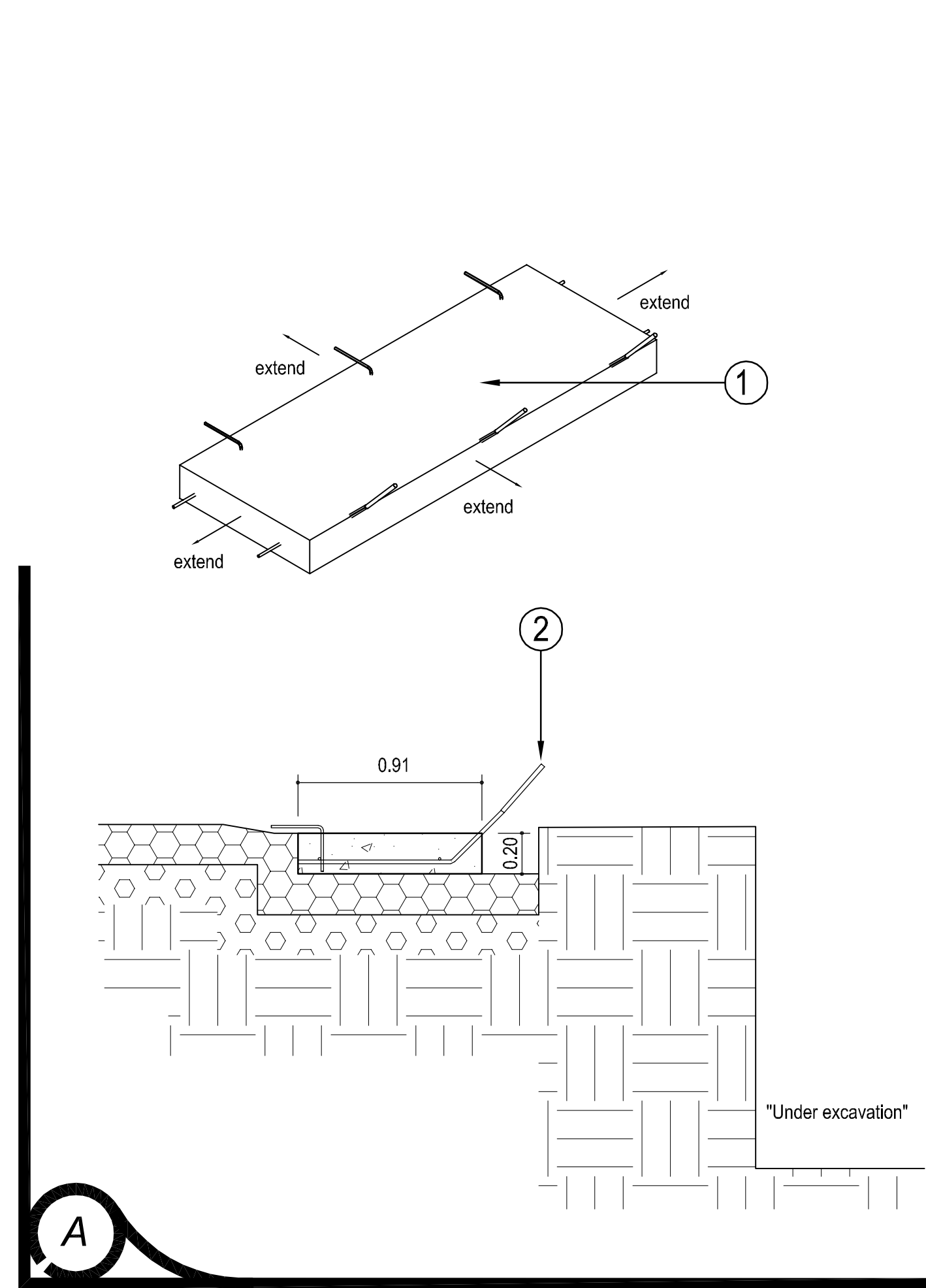


Profiles indicate proper layout and dimensions of all CIP concrete banks and transitions. Contractor must refer to written specifications to ensure that proper sub-base, and base materials are placed over compacted subgrade. All concrete elements shall be constructed by:

- 1) Removing surface organics to a layer suitable for compaction to 98% SPD
- 2) Importing and compacting fill as per specifications. All fill material shall be free draining
- 3) Placing 100mm of 19mm minus aggregate over compacted free draining material.



- 1) Slope stabilization slab (w/ Ø10mm rebar matt 600mm OC max)
- 2) Ø15mm rebar w/ 45° bend protruding wild
- 3) 6mm X 100mm hot rolled plate \*\*
- 4) 2" schedule 40 pipe (60mm ID) \*\*
- 5) Shaped native soil, compacted to 98% SPD
- 6) Seal weld (no water penetration), grind flush\*\*\*
- 7) Rebar cut to correct elevation and coping secured with a 6mm fillet weld all round.\*
- 8) 100mm x Ø15mm Rebar "stubs" secure w/6mm fillet weld all round \*
- 9) Ø10mm rebar matt at 600mm OC max
- 10) 60mm stucco wire mesh
- 11) Wire mesh is tied to the rebar "stubs" (mesh is primarily to prevent slumping of the concrete during finishing).
- 12) 600 mm "deck" behind coping.
- 13) Transition panel
- 14) Wire mesh must be set 30mm min in from finished edge
- 15) Wire mesh must be set to a depth of 60mm min
- 16) Deck slab
- 17) Cold Joint
- 18) 450mm of flat at the foot of all panels , all joints must occur outside of this area.

\* All welded area shall be treated with zinc rich Galvicon or equivalent  
 \*\* Stock lengths of steel shall be pre treated with zinc rich Galvicon or equivalent.  
 \*\*\* Every precaution must be taken to prevent heat distortion while seal welding.



van der Zalm + associates inc.  
 Landscape Architecture \* Urban Design \* Parks & Recreation  
 Suite 2200 1177 W Hastings St. P 604.882.0024  
 Vancouver, British Columbia F 604.882.0042  
 V6E 2K3 info@www.vdzr.ca

The Warehouse Design Studio  
 8938 192 Street P 604.882.0024  
 Surrey, British Columbia F 604.882.0042  
 V4N 3V8 info@www.vdzr.ca

NOTES

Copyright reserved. This drawing and design is the property of van der Zalm + associates inc., and may not be reproduced or used for other projects without permission.

No.	Description	Date
0.	Issue for Tender	Mar. 03/06
REVISIONS-DRAWING ISSUE		

CONTRACTOR SHALL CHECK ALL DIMENSIONS ON THE WORK AND REPORT ANY DISCREPANCY TO THE CONTRACT ADMINISTRATOR BEFORE PROCEEDING. ALL DRAWINGS AND SPECIFICATIONS ARE THE EXCLUSIVE PROPERTY OF THE CONTRACT ADMINISTRATOR AND MUST BE RETURNED AT THE COMPLETION OF THE WORK.

PROJECT:  
**Komenda Memorial Park**  
 LOCATION:  
**Winnipeg, Man.**

DRAWN	ML	CAD FILE	SK-D-6
CHECKED	MV	DATE	Sept. 11/05
APPROVED	MV	DATE	Sept. 11/05
SCALE	NTS	DATE	Sept. 11/05

**TRANSITION PANEL CONSTRUCTION SEQUENCE**

DRAWING TITLE

PROJECT NO.  
**PR2005-37**

DRAWING NO.  
**SK-D-9**